

CCTV Security Camera

NV0246CAM

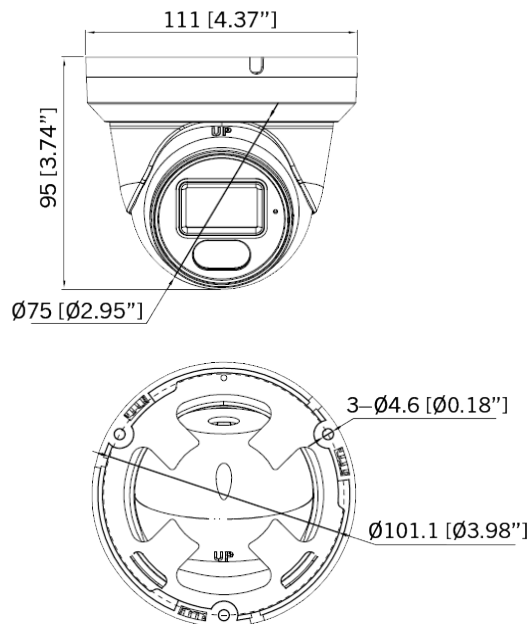


FEATURES:

- ◆ H.265 & H.264 Compression
- ◆ Digital Wide Dynamic Range
- ◆ Up to 2560 x 1440 Resolution
- ◆ Fixed Focal 2.8mm IR Lens
- ◆ 2 High Power IR LED's -100' Range
- ◆ SD Card Slot - Supports 256Gb
- ◆ Mechanical IR Cut Filter
- ◆ Dual Stream Capability
- ◆ 3D Digital Noise Reduction
- ◆ POE - Power over Ethernet
- ◆ Free CMS Software
- ◆ ONVIF Profile S Compliant
- ◆ IP66 Weatherproof



CAMERA OVERVIEW:



INCLUDED ACCESSORIES:

Quick Guide, Mounting Template, Hardware Packet, Adjustment Wrench, Waterproof Connector

	FEATURES	CAMERA SPECIFICATIONS
Camera	Image Sensor	1/3" Progressive Scan CMOS
	Minimum Illumination	Color: 0.1Lux @(F1.2,AGC ON) , B/W: 0Lux @(IR LED ON)
	S/N Ratio	55dB
	IR LED Count / Range / Nanometer	2 IR LED's / 100' Range / 850nm
	Shutter Time	1/5s - 1/20,000s
	Lens (IR Corrective)	Fixed 2.8mm - Angle of View 105° -
	Camera Bracket Adjustment	Pan: 0°~360°, Tilt: 0°~90°, Rotation: 0°~360°
	Day & Night	Yes - True Day/Night with IR Filter - Auto Switch
	DNR (Digital Noise Reduction)	2DNR & 3DNR, Auto / Manual (0-100 Adjustable)
	DWDR (Digital Wide Dynamic Range)	On / Off (0-100 Adjustable)
BLC (Backlight Compensation)	On / Off (0-100 Adjustable)	
Smart Analytic Features	Virtual Fence, Advanced Perimeter Detection	
Video Compression	H.265, H.264, MJPEG (for both stream types)	
Resolution Bitrate	Max. Resolution	2560 x 1440 (4MP)
	Mainstream Resolution	Main Stream: 2560x1440, 2304x1520, 1920x1080, 1280x720 @ 25fps
	Substream Resolution	704x576, 640x360, 480x360, 352x288 @ 25FPS
	Video Bitrate	Main: 128kbps ~ 6144kbps / Sub: 16kbps ~ 1536kbps
Network	Protocols	IPv4, RTSP/RTMP/RTCP, TCP/UDP, HTTPS, DHCP, DNS, DDNS, UPNP, ICMP, IGMP, NTP, SMTP, 802.1x, SNMP
	General Function	Supports Mirror, Smart IR, Password Protection, Privacy Mask, Motion Detection
	Users	Up to 4 Users
	Client Software	NorthernView CMS, NorthernView Mobile App, NorthernView Tools
	Web Browser	IE11, Chrome, Firefox
Interface	Communication Interface	1 Ethernet (10/100 Base-T) RJ-45 Connector
	Reset Button	Yes
	Onboard Storage	Yes Built in Micro SD/SDHC/SDXC slot, up to 256GB
General	Power Supply	12VDC / POE (IEEE 802.3af)
	Power Consumption & Current	2W (IR LED OFF), 5W Max (IR LED ON)
	Operating Conditions	Operating Temperature -30°C ~ 50°C (-22°F ~ 122°F)
	Weatherproof Rating	IP66
	Housing Material / Color	Aluminum / White
	Overall Camera Dimensions	ø4.4" x 3.7" (ø111 x 95mm)
	Weight	0.77lb / 350g
Certifications	CE / FCC	