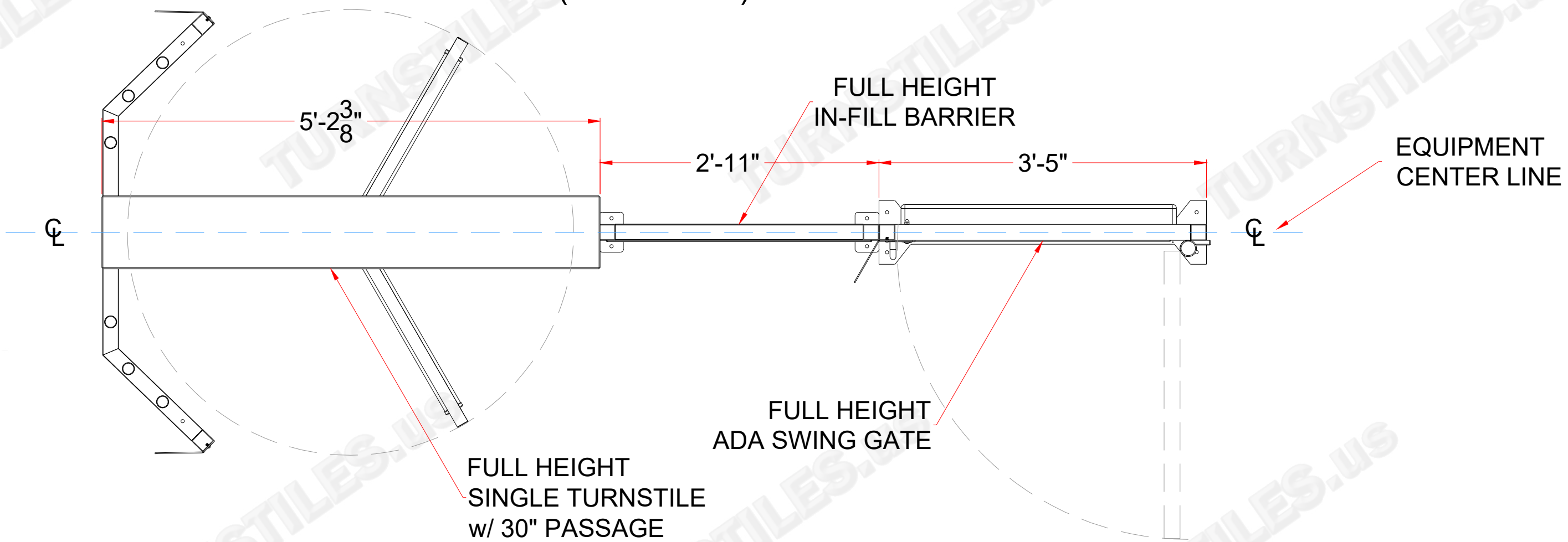


**ELEVATION**

(secure side)



**FOOT PRINT**  
(non-secure side)

FIRST DRAWN	BY
03-20-25	CJC
REVISED	BY

**COPYRIGHT © TURNSTILES.US**  
 Copyright © Turnstiles.us All rights reserved. Reproduction or translation of this work without the express written permission of TURNSTILES.US is unlawful and is an infringement of intellectual property belonging to TURNSTILES.US.  
 All drawings and/or designs are restricted for use exclusively with a purchase, installation, and/or support from Turnstiles.us. Any other use of these materials is a violation of copyright law. Request for additional information should be addressed to the Legal Department, Turnstiles.us.

**TURNSTILES.US**  
 SECURING THE USA and the GLOBE since 1989  
 www.TURNSTILES.us  
 Call: 303-670-1099 | Text: 303-918-9787  
 patrick.mcallister@turnstiles.us



EQUIPMENT DETAIL	
Home and Outdoor HT431 Single Turnstile, HTG-M ADA Swing Gate, with 35" W Full Height Infill Barrier	
DRAWING:	
HOME & OUTDOOR HT SERIES ELD	
DATE:	03-20-25
PAGE:	1 OF 1