

DIMENSIONS MAY VARY IN ACTUAL INSTALLATION - FABRICATION CHANGES RESERVED - SIMILAR EQUIPMENT MAY BE SUBSTITUTED *

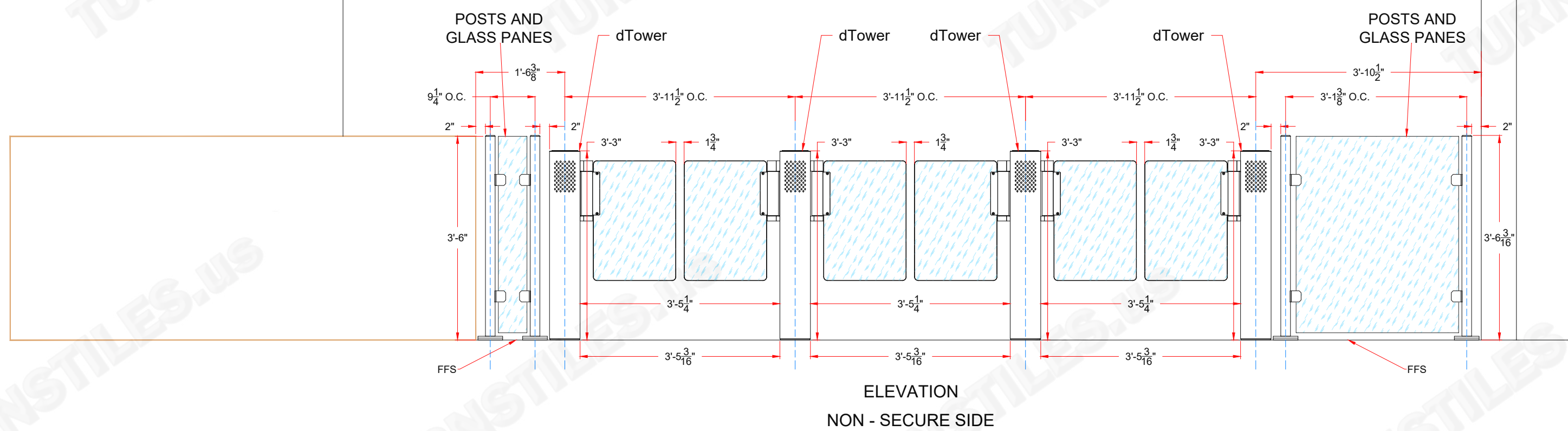
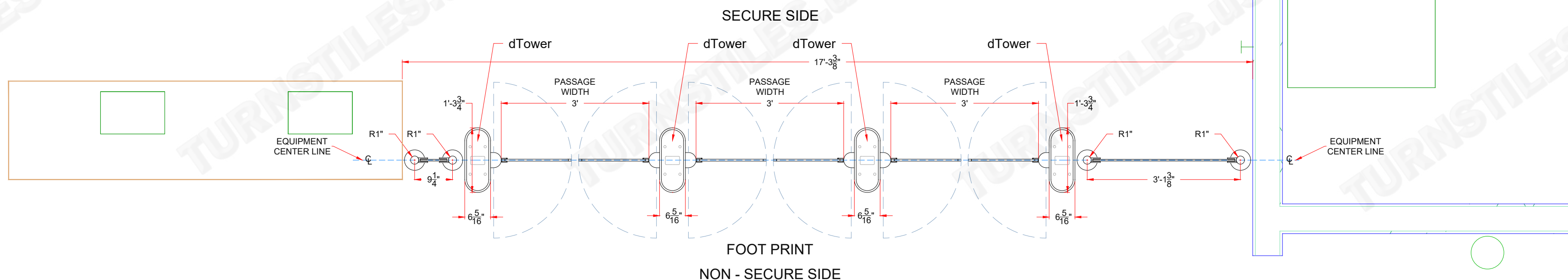
VESTIBULE

224

FIRST DRAWN	BY
02-05-25	CJC
REVISED	BY

COPYRIGHT © TURNSTILES.US
 Copyright © Turnstiles.us All rights reserved. Reproduction or translation of this work without the express written permission of TURNSTILES.US is unlawful and is an infringement of intellectual property belonging to TURNSTILES.US.
 All drawings and/or designs are restricted for use exclusively with a purchase, installation, and/or support from Turnstiles.us. Any other use of these materials is a violation of copyright law. Request for additional information should be addressed to the Legal Department, Turnstiles.us.

TURNSTILES.US
 SECURING THE USA and the GLOBE since 1989
 www.TURNSTILES.US
 Call: 303-670-1099 | Text: 303-918-9787
 patrick.mcallister@turnstiles.us

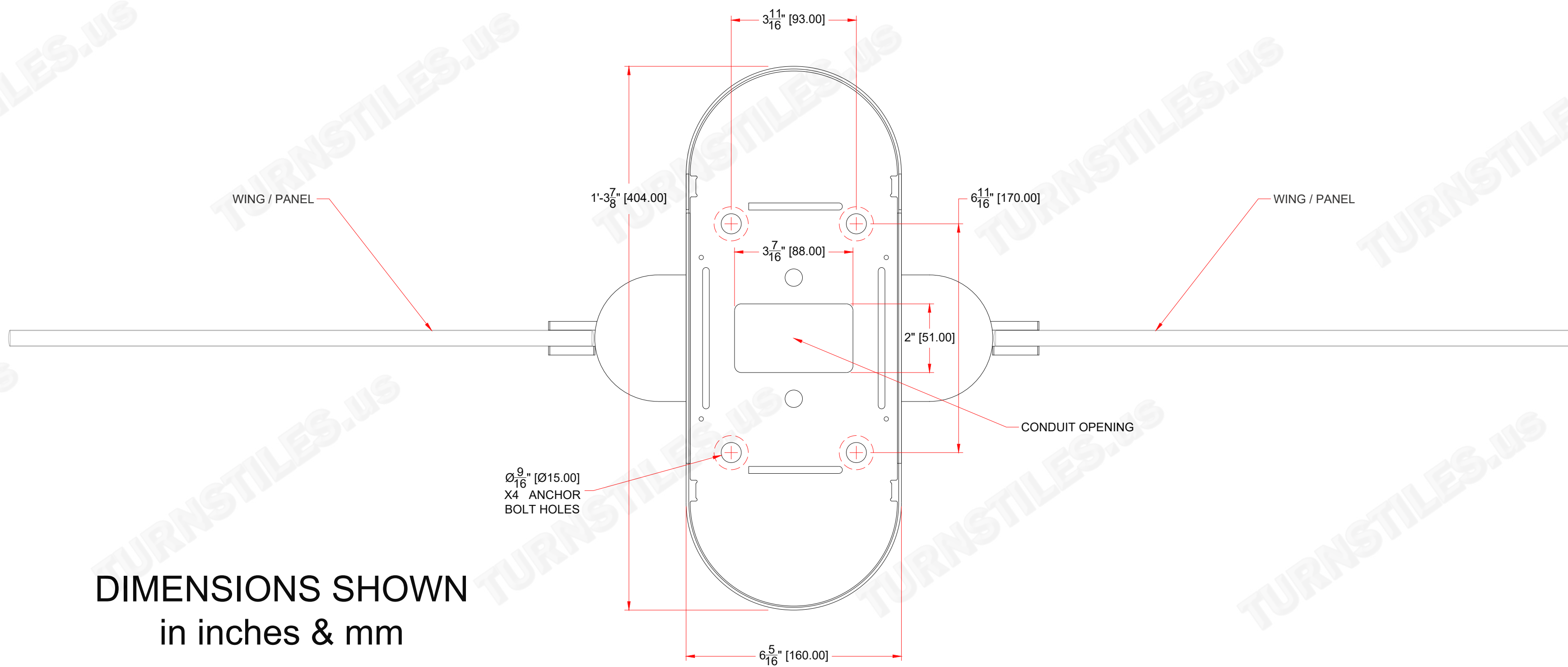


AUTHORIZED SIGNATURE: _____ DATE: ___ / ___ / ___

EQUIPMENT LOCATION DETAIL	
Okana Resort Oklahoma City, OK dTower - Three Lanes Posts and Glass Panes Side Fills - Vestibule	
DRAWING:	
Okana Resort Oklahoma City, OK dTower - Posts and Glass ELD	
DATE:	02-05-25
PAGE:	1 OF 2

DIMENSIONS MAY VARY IN ACTUAL INSTALLATION - FABRICATION CHANGES RESERVED - SIMILAR EQUIPMENT MAY BE SUBSTITUTED *

D•TOWER BASE ANCHOR DETAIL



DIMENSIONS SHOWN
in inches & mm

AUTHORIZED SIGNATURE: _____ DATE: ___ / ___ / ___

FIRST DRAWN	BY
02-05-25	CJC
REVISED	BY

COPYRIGHT © TURNSTILES.US
 Copyright © Turnstiles.us All rights reserved. Reproduction or
 translation of this work without the express written permission
 of TURNSTILES.US is unlawful and is an infringement of
 intellectual property belonging to TURNSTILES.US.
 All drawings and/or designs are restricted for use exclusively
 with a purchase, installation, and/or support from Turnstiles.us.
 Any other use of these materials is a violation of copyright law.
 Request for additional information should be addressed to
 the Legal Department, Turnstiles.us.

TURNSTILES.US
 SECURING THE USA and the GLOBE since 1989
www.turnstiles.us
 Call: 303-670-1099 | Text: 303-918-9787
patrick.mcallister@turnstiles.us

ANCHOR, BASE, CONDUIT, DETAIL

Okana Resort
 Oklahoma City, OK
 dTower - Three Lanes
 Posts and Glass Panes
 Side Fills - Vestibule

DRAWING:
 Okana Resort
 Oklahoma City, OK
 dTower - Posts and Glass
 ABCD

DATE: 02-05-25

PAGE: 2 OF 2