

# Project Submittal

V4.0



**Submitted to:**

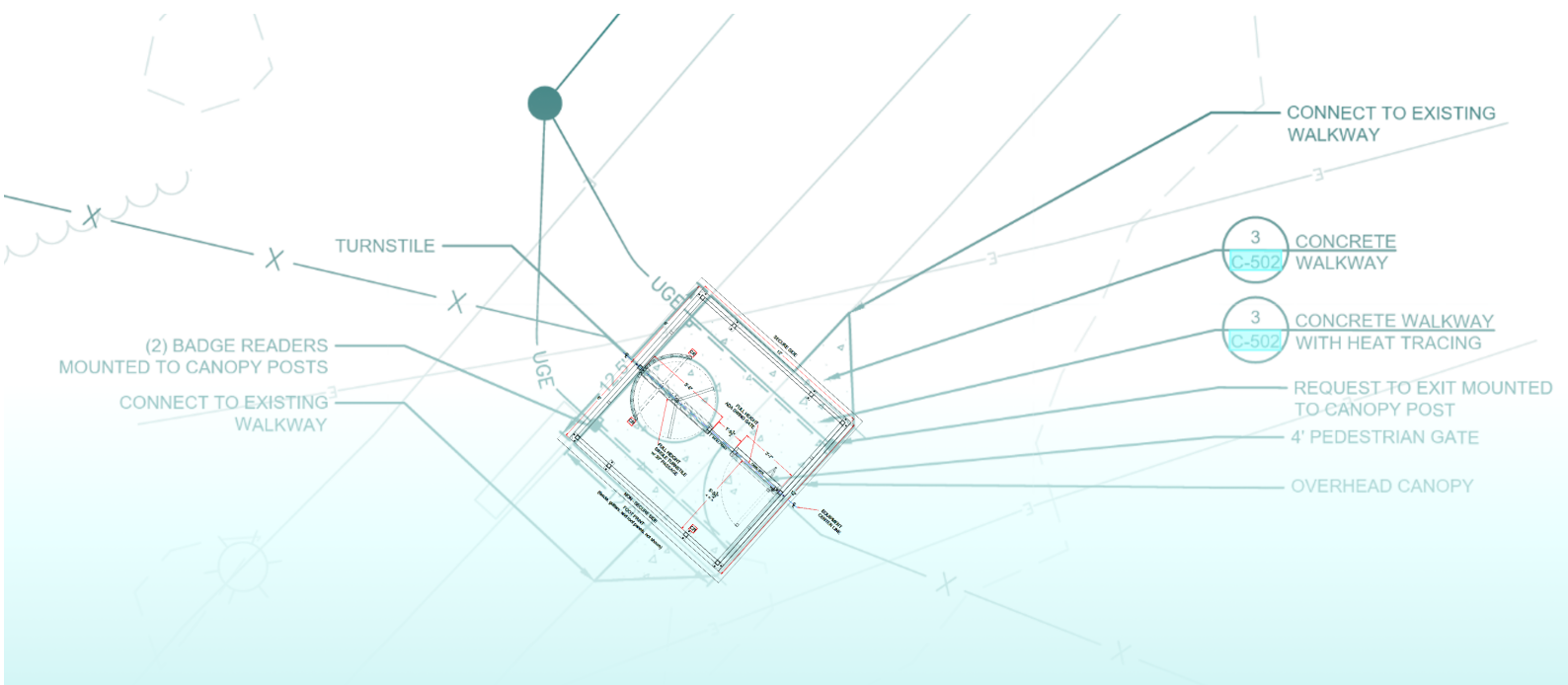
CM&B

Project: BAE – PTP01 & 02 Perimeter Fence  
 Hudson, NH

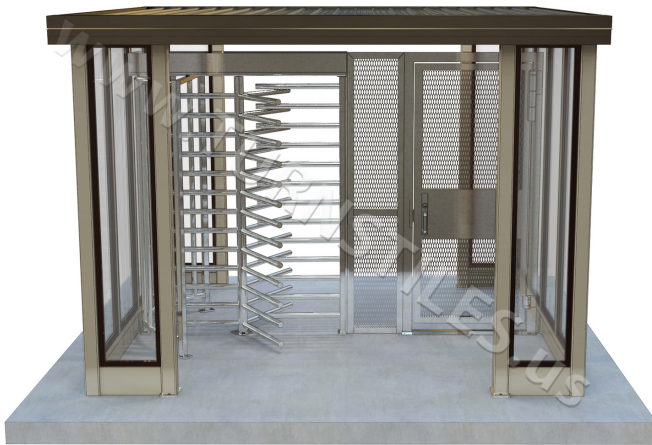
**Submitted by:**

www.TURNSTILES.us, Inc.

January 2025



# Enclosed Glass Canopy Turnstile Entrance



## EntraBOX HSE1212 High Security Entrance with Turnstile, Gate and Canopy

### FEATURES

- Security Entrance Package
- (1) EntraBOX 12' x 12' EGC Enclosed Glass Canopy
  - 50-Year Roofing and Trim
  - Single-slope roof with gutter and downspouts
  - Enclosed storefront glass sidewalls, 1/4" glass
  - Galvanized Steel Roof Framing
  - Aluminum Posts with custom Plates
  - Aluminum Downspouts
  - Pre-engineered for wind and snow loads in North America
- (1) Full-Height Single Turnstile
  - 30" Passage width
  - 2-Way Electric
- (1) Full-Height ADA Gate
  - 36" Passage width
  - Electric Strike and Panic Bar
- (1) Anti-Reach Barrier
- (1) Full-Height Barrier
- Choice of Finish on Equipment and Canopy
  - Powder Coated
  - Galvanized
  - Stainless Steel
  - Powder Coated over Galvanized



# Equipment Data



Single Turnstile



Filler Barrier



ADA Gate



Anti-Reach Barrier



12x12' EGC Enclosed Glass Canopy

## TURNSTILE

- Full-Height Industrial
- Heavy-Duty, High-Security
- Three-Vane Cylindrical Arms
- Corrosion-resistant finish and Hardware
- Steel Spline Shaft, Collar, Bearing, Flange
- Extra Thick Mounting Brackets
- Made in America
- Electrical Specifications: Input voltage: 100-220 VAC Frequency: 50/60 Hz Operating Voltage: 30 VDC Operating Current: 0,2A
- 30" Passage Width
- Galvanized Finish
- 2-Way Electric (Card Entry/Request-to-Exit)
  - Reader and RTE by others (tbd)
  - Fail Lock / Fail Open Selectable (tbd)
- Bidirectional Key Override Set
- Reader Mounting Plates x2

## GATE

- Full-Height Security Gate
- ADA Compliant Passage Width
- Premium Self-Closing Hinges
- Corrosion-resistant finish and Hardware
- Core Drill Mounts in Concrete
- 36" Passage Width
- Galvanized Finish
- Steel Mesh Infill
- Strike Lock with Pushbar Exit
- Reader Mounting Plates x2

## BARRIERS

- Security Partition Fills Space
- Prevents Reach-Through
- Galvanized Finish
- Steel Mesh Infill

## CANOPY

- Enclosed Glass Canopy ~12' x 12'
- Rebar Cage Footers
- Aluminum Extrusion and Glass Storefront
- Glass Wings on Front and Back
- Wainscot Footer, Close to Ground
- Drainage to Right and Left Sides

## TURNSTILES.us SERVICES

- (\*) Three-Year Equipment Warranty
- (\*) AutoCAD Drafting:
  - Equipment Detail, Dimensions and Schematic
- (\*) Factory Installation Field Labor
- (\*) Day Tool Rental:
  - Core Drill, Auger, Concrete Mixer
- (\*) Crating and Shipping

## TURNSTILE PRODUCTION ORDER

Production begins when this completed form is submitted to your TURNSTILES.us representatives and patrick.mcallister@turnstiles.us

Please fill out an additional page for each different configuration desired. If multiple turnstiles are identical, please indicate the quantity.

Description: Full Height Single Turnstile

Model #: TURNSTILES.us 30-GV-2E

Quantity: 1 of 1

Notes: 30" Passage  
 Galvanized  
 2-Way Electric (Card entry/  
 Request-to-exit button)

Client: CM&B

Proposal #: 2025-303440

\*Contact Name: Alex Roper

\*Contact Phone: 978-578-2718

\*Ship to: 65 River Road  
 Hudson, NH 03051

Signature: \_\_\_\_\_ Date: \_\_\_\_\_

Approved as marked

Above contact information is correct

## TURNSTILE CONFIGURATION

Step 1: Please choose Left Handed or Right Handed Orientation  
 Step 2: Select A-D for both the EXIT and ENTRANCE Operation

### EXIT OPERATION (Choose one)

- A: Non-electric / Free Passage (unlocked)
- B: Non-electric / No Passage (locked)
- or
- C: Electric / Fail Safe (unlock on power loss)
- D: Electric / Fail Secure (lock on power loss)

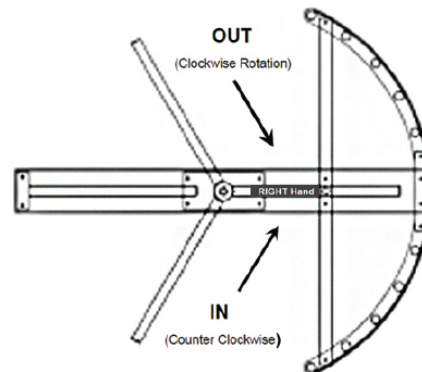
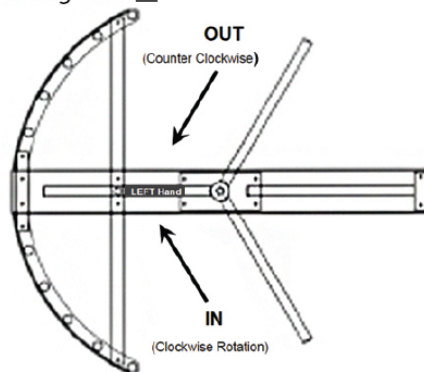
Left Handed Turnstile

Aerial View

Right Handed Turnstile

Card Reader Mounting Plate

Card Reader Mounting Plate



Card Reader Mounting Plate

Card Reader Mounting Plate

### ENTRANCE OPERATION (Choose one)

- A: Non-electric / Free Passage (unlocked)
- B: Non-electric / No Passage (locked)
- or
- C: Electric / Fail Safe (unlock on power loss)
- D: Electric / Fail Secure (lock on power loss)

## SWING GATE PRODUCTION ORDER

Production begins when this completed form is submitted to:  
 your TURNSTILES.us representatives and [patrick.mcallister@turnstiles.us](mailto:patrick.mcallister@turnstiles.us)

Please fill out an additional page for each different configuration desired. If multiple items are identical, please indicate the quantity.

Description: Full Height ADA Gate

Model #: TURNSTILES.us 36ADA-GV-S

Quantity: 1 of 1

Notes: 36" Passage  
 Galvanized  
 Steel Mesh Infill  
 Strike and Pushbar

Client: CM&B

Proposal #: 2025-303440

\*Contact Name: Alex Roper

\*Contact Phone: 978-578-2718

\*Ship to: 65 River Road  
 Hudson, NH 03051

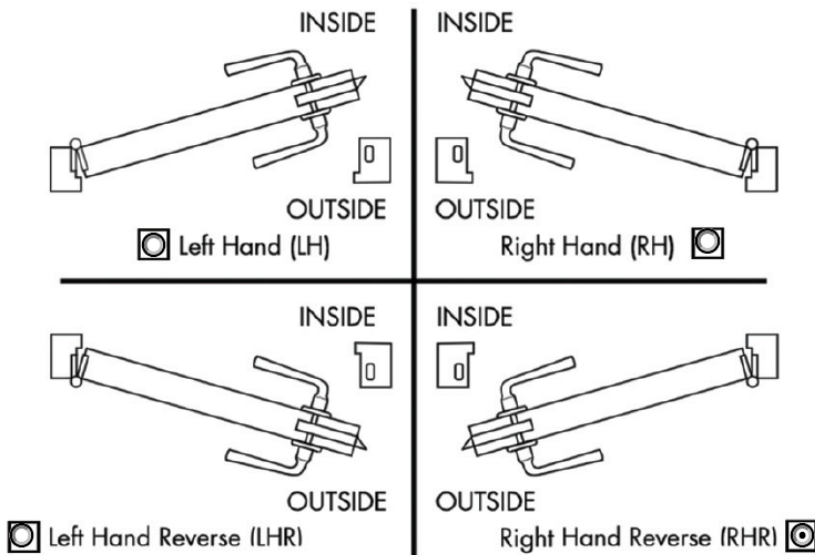
Signature: \_\_\_\_\_ Date: \_\_\_\_\_

- Approved as marked  
 Above contact information is correct

## GATE CONFIGURATION

Please select the desired swing for the gate, then select the hardware options.

### Gate Swing (Choose One)



### Lock (Choose One)

- Non-Electric Key and Mortice  
 Electric Strike Fail-Close (default lock on power loss)  
 Electric Strike Fail-Open (default unlock on power loss)  
 Maglock (replaces strike, upgrade)  
 Other: \_\_\_\_\_

### Panic Bar (Choose One)

- None  
 Panic Bar (standard)  
 Panic Bar with Alarm (upgrade)  
 Other: \_\_\_\_\_



## TURNSTILES.us FULL HEIGHT TURNSTILES (SINGLE)

AG Series Turnstiles are heavy-duty, high-security devices for pedestrian access control. Turnstiles are controlled mechanically or electrically in one or both directions. Choose from several sizes and weather-resistant finishes. Various configurations and access control accessories are available to accommodate your security requirements.

### MODELS

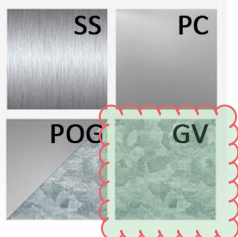
- AG-27-T 27" Passage Single Turnstile  
60" W \* 53" D \* 90" H
- BEST SELLER** AG-30-T 30" Passage Single Turnstile  
66" W \* 60" D \* 90" H
- AG-39-T 39" Passage Single Turnstile  
85" W \* 65" D \* 90" H
- CUSTOM Upon Request (36", 48")

### CONTROLS

- MECHANICAL
- ELECTRIC 1-WAY
- ELECTRIC 2-WAY

### FINISH

- (GV) GALVANIZED
- (PC) POWDER COATED
- (POG) PC OVER GV
- (SS) STAINLESS STEEL

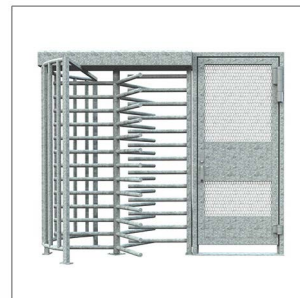


### Powder Coated Colors



### STANDARD FEATURES

- Full-Height Industrial Turnstile
- Heavy-Duty, High-Security
- Three-Vane Cylindrical Arms
- 304 Steel or 316 Stainless Steel
- Reader Mounting Plates
- Bidirectional Key Override Set
- Modular Locking Mechanism  
(variable custom configurations)
- Corrosion-Resistant Finish and Hardware
- Steel Spline Shaft, Collar, Bearing, Flange
- Extra Thick Mounting Brackets
- Made in America
- Electrical Specifications:  
Input voltage: 100-220 VAC  
Frequency: 50/60 Hz  
Operating Voltage: 30 VDC  
Operating Current: 0,2A



### OPTIONS

- Battery Backup
- Cold Weather Package
- Programmable Keypad
- LED Indicator Lights
- Directional Lights
- Heel Guards
- Hinged Header Lid
- Lockout Bar
- Matching ADA Gate
- Matching Filler Barrier
- Portable Base Plate
- Turnstile Canopy
- Entrance Enclosures
- Access Control System
- Reader Integration





## TURNSTILES.us

### FULL HEIGHT SECURITY GATES

The AG Series Full Height ADA Gate is designed with security durability, and style in mind. Our gates can be configured with your choice of style, size, opening direction, lock, and finish. With tough-welded steel construction, security-grade infills, and an adjustable hydraulic self-closing hinge, our gates stand the test of time. A variety of access control accessories are also available. Made in the U.S.A.

#### MODELS

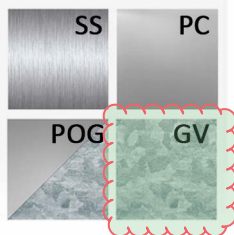
- AG-36-ADA 36" Passage Gate  
(SM, LX, VB) 41" W \* 4" D \* 91" H
- AG-48-ADA 48" Passage Gate  
(SM, LX, VB) 53" W \* 4" D \* 91" H
- CUSTOM Upon Request

#### LOCKS

- DEADBOLT/PUSHBAR
- STRIKE/PUSHBAR
- MAGLOCK/PUSHBAR
- DOUBLE MAGLOCK/PUSHBAR

#### FINISH

- (GV) GALVANIZED
- (PC) POWDER COATED
- (POG) PC OVER GV
- (SS) STAINLESS STEEL



#### Powder Coated Colors



#### STANDARD FEATURES

- Full-Height Security Gate
- ADA Compliant Passage Width
- Premium Self-Closing Hinges
- Standard Pushbar Exit
- Durable finish options to match your decor
- #9 Steel Mesh Infill, Lexan Infill, or Vertical Bars
- Corrosion-Resistant Finish and Hardware
- Mount to Concrete or Portable Base
- Lock Options:
  - Deadbolt: Mechanical, key and mortice with handle
  - Strike: Electric, lock with power supply, fail secure
  - Maglock: Electro-Magnetic, 1200lbs force, fail open
  - Double Maglock: Electro-Magnetic, 2400lbs, fail open

#### AG Series Styles:

- (SM) Steel Mesh Infill
- (LX) Lexan Infill
- (VB) Vertical Bars



#### OPTIONS

- DC Access Relay
- Power Supply and Box
- Battery Backup
- LED Accent Light
- Exit Paddle
- Spike Strip Side/Top
- Anti-Reach Barrier
- Mounting Plates
- Matching Turnstiles
- Matching Filler Barriers
- Portable Bases
- Turnstile Canopies
- Entrance Enclosures
- Access Control System
- Reader Integration



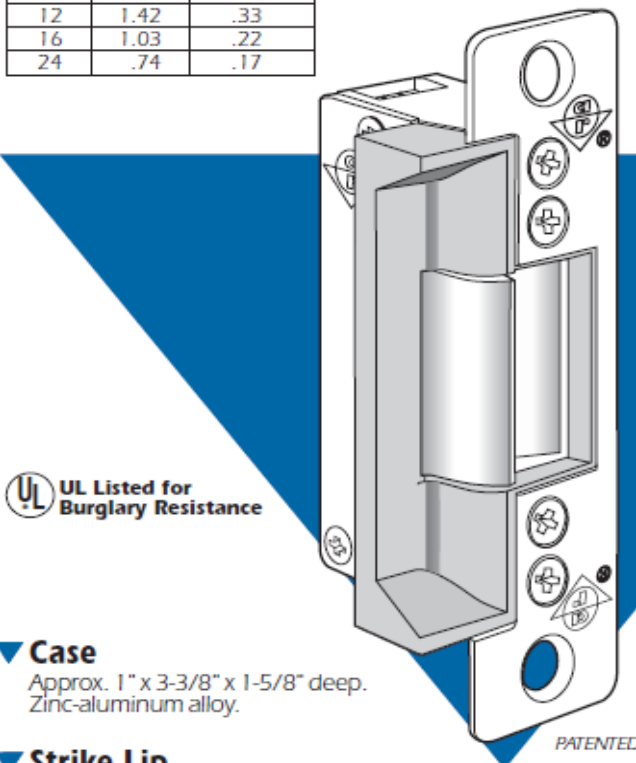
## Electric Strikes

VOLTAGE		
Available in 12, 16 or 24 volt AC and DC. DC and AC Continuous units are silent, AC intermittent units "buzz" on operation.		
CURRENT DRAW/AMPS		
Volts	AC Int.	DC or AC Cont.
12	1.42	.33
16	1.03	.22
24	.74	.17

## 7100, 7101

ANSI/BHMA Type EO9321 (Grade 1)

LATCH TYPE	
	Adams Rite or Cylindrical Latches with 1/2" to 5/8" Projection.
DOOR FRAME TYPE	
	<b>7100</b> Aluminum Jamb
	<b>7101</b> Aluminum Stiles



**UL Listed for Burglary Resistance**

### ▼ Case

Approx. 1" x 3-3/8" x 1-5/8" deep. Zinc-aluminum alloy.

### ▼ Strike Lip

Basic 7100 strike has lip of proper length for 1-3/4" thick door that closes flush with jamb edge. Where door thickness or jamb shape differs from this standard relationship, extended lip available, specified by last dash number. (Not available on 7101.)

### ▼ Fail Safe/Fail Secure

Field convertible from one mode to the other. However, AC intermittent solenoid must not be used continuously in either.

### ▼ Strike Opening

5/8" x 1-7/16" x 1/2" deep. Bolt retainer jaw is stainless steel. Strike accepts bolt of any Adams Rite 4700 Series deadlatch or cylindrical latches shown with model 7140. See 7160 and 7170 strikes for use with other make mortise latches.

### ▼ Faceplate

Measures 1-1/4" x 4-7/8". 7100 has flat faceplate; 7101 is radiused to match nose on inactive leaf in a pair of narrow stile glass doors. Available in a wide range of architectural finishes.

### ▼ Function

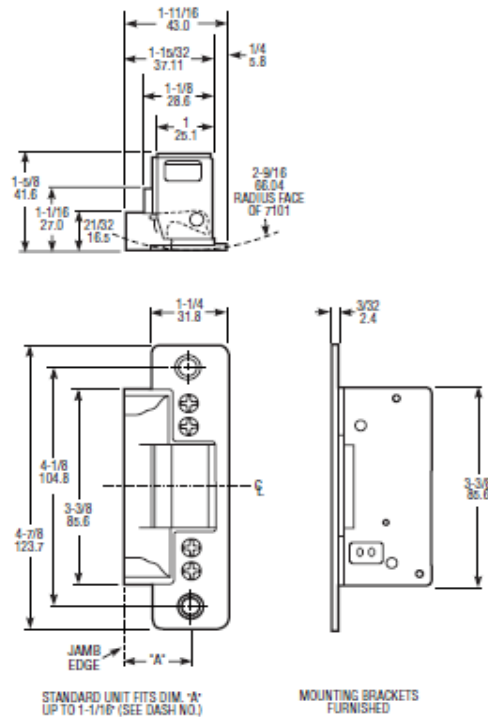
Remote electrical control of any door equipped with an Adams Rite Series 4500 or 4700 (or similar) deadlatch or "key-in-knob" sets. Electrical actuation unlocks strike jaw, releasing latchbolt so door can be opened without operating latch itself. Extremely compact mechanism fits into aluminum jamb (or opposing door) sections as shallow as 1-5/8". Fits prep for 7500/7800/7000 Series.



## Electric Strikes 7100,7101

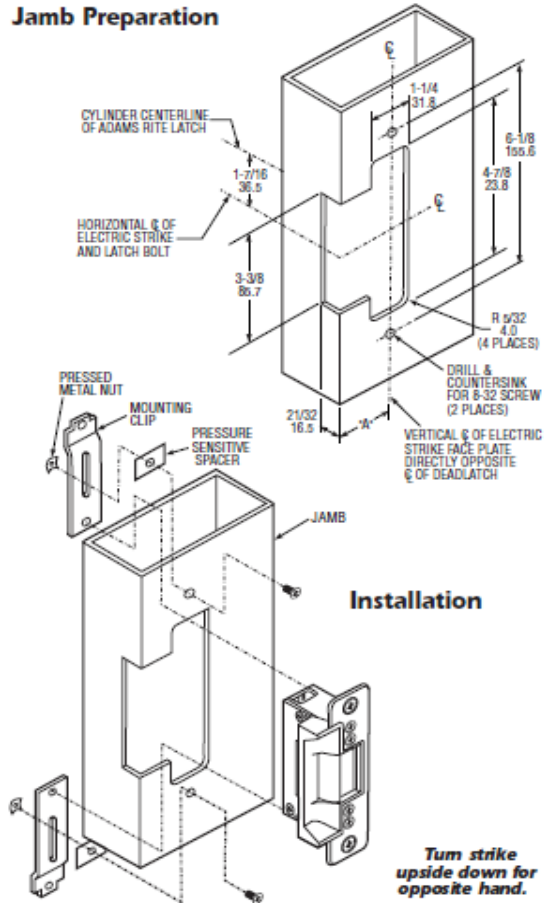
### DIMENSIONS

**INCHES  
MILLIMETERS**  
*Nominal, subject to tolerance extremes.*



### INSTALLATION

#### Jamb Preparation



#### Installation

**Turn strike  
upside down for  
opposite hand.**

### HOW TO ORDER

Specify quantity and the following information.  
Order 4603 Rectifier and/or 4605 or 4606 Transformer separately.  
(4603 included with AC Cont.)

Specify Model	Voltage	Current & Duty	Features**
<b>7100</b> Flat	<b>3</b> 12 Volt	<b>1</b> DC Continuous or Intermittent	<b>0</b> Std/Fail-Secure
<b>7101</b> Radius	<b>4</b> 16 Volt	<b>2</b> AC Continuous*	<b>5</b> Fail-Safe
	<b>5</b> 24 Volt	<b>4</b> AC Intermittent	<b>7</b> Monitor/Fail-Safe
			<b>9</b> Monitor/Fail-Secure

# 7100-315-605-00

\*A DC strike with rectifier attached for use on AC current.

\*\*Fail-safe can be field converted to fail-safe or vice-versa.

\*\*7101 available in 628, 313, 335 only.

Finish***
<b>628</b> Clear Anodized
<b>605</b> Bright Brass
<b>612</b> Satin Bronze
<b>613</b> Oil Rubbed Bronze
<b>313</b> Dark Bronze Anod.
<b>335</b> Black Anodized
<b>625</b> Bright Chrome
<b>626</b> Satin Chrome

7100 Lip Extension (Dim. "A") (Door Centerline to Jamb Edge)	
<b>00</b> 1.06" or less	<b>07</b> 2.25"
<b>01</b> 1.50"	<b>08</b> 2.38"
<b>02</b> 1.63"	<b>09</b> 2.50"
<b>03</b> 1.75"	<b>10</b> 2.63"
<b>04</b> 1.88"	<b>11</b> 2.75"
<b>05</b> 2.00"	<b>12</b> 2.88"
<b>06</b> 2.13"	<b>13</b> 3.00"

### STANDARD PACKAGE

Individually boxed with mounting screws, mounting brackets and adhesive shims to accommodate jamb or stile extrusion thickness greater or less than nominal 1/8 inch.

### OPTIONS

Available with two monitoring signal switches which sense whether latch bolt is in strike and whether strike jaw is blocked. Choice of voltage in AC and DC for intermittent or continuous duty. Series 7100 (flat) available with extended strike lip (see chart). Specify assembled for either fail-secure (locked when unpowered) or fail-safe (locked when powered) operation, but can be field-converted to the other mode.

**4603 Rectifier** - Converts AC to DC, installs in low voltage line between transformer and strike. Rated 2 amps. (200 PIV).

**4605 Transformer** - Converts 120VAC to 24VAC. Rated 40 Volt-amp output assures plenty of power for strike release. Patented mounting bracket fits in knockout hole of standard junction boxes.

**4606 Transformer** - Plug-in version for standard wall outlet.

See separate specification sheet for more information on Strike options.

INSTALLATION



Installation Photos





[www.TURNSTILES.us](http://www.TURNSTILES.us), Inc.

**Securing the U.S. and the GLOBE Since 1989**

**TURNSTILES.us**

### COMPANY BRIEF

[www.TURNSTILES.us](http://www.TURNSTILES.us), Inc.  
Small Business

CAGE: 36SD8  
GSA: GS 07F 9239S  
DUNS: 181428611  
NAICS: 238990  
SIC: 1799

8641 S. Warhawk Rd.  
Conifer, CO 80433

Main: 303-569-6776  
Direct: 303-670-1099  
Patrick.McAllister@TURNSTILES.us  
[www.TURNSTILES.us](http://www.TURNSTILES.us)

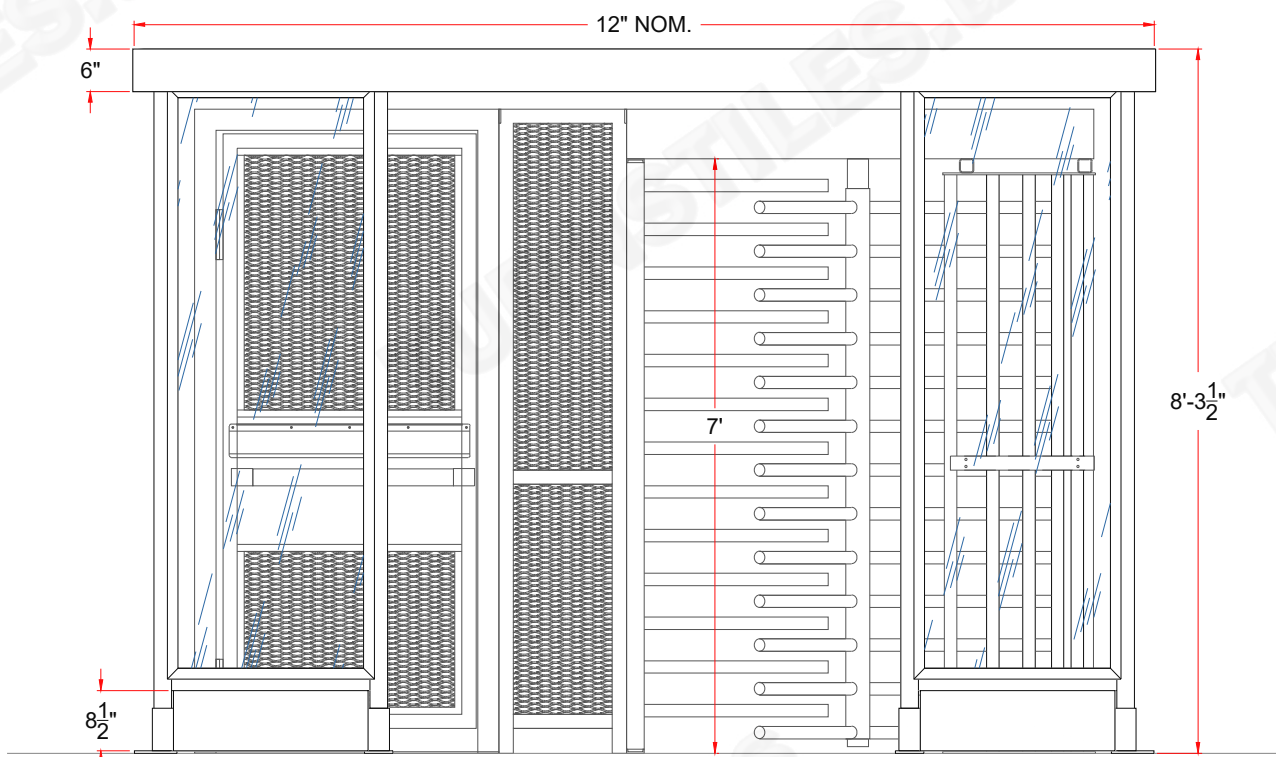
TURNSTILES.us is a professional organization specializing in the physical and electronic securing of building entrances with Turnstiles, Mantraps, EntraPASS Access Control Hardware, and Software since 1989. We are a U.S. Federal Government Contract Holder and are registered with the U.S. Federal Government System for Award Management.

TURNSTILES.us headquarters is located in the Rocky Mountain Region of Colorado. Our team of engineers and sales professionals are strategically located across the United States to enable us to address our clientele. Our expert project team offers turnkey solutions for commercial public sector and private markets including access control system analysis, design, installation, and implementation, and raises the bar for the highest standards in the turnstile security industry.

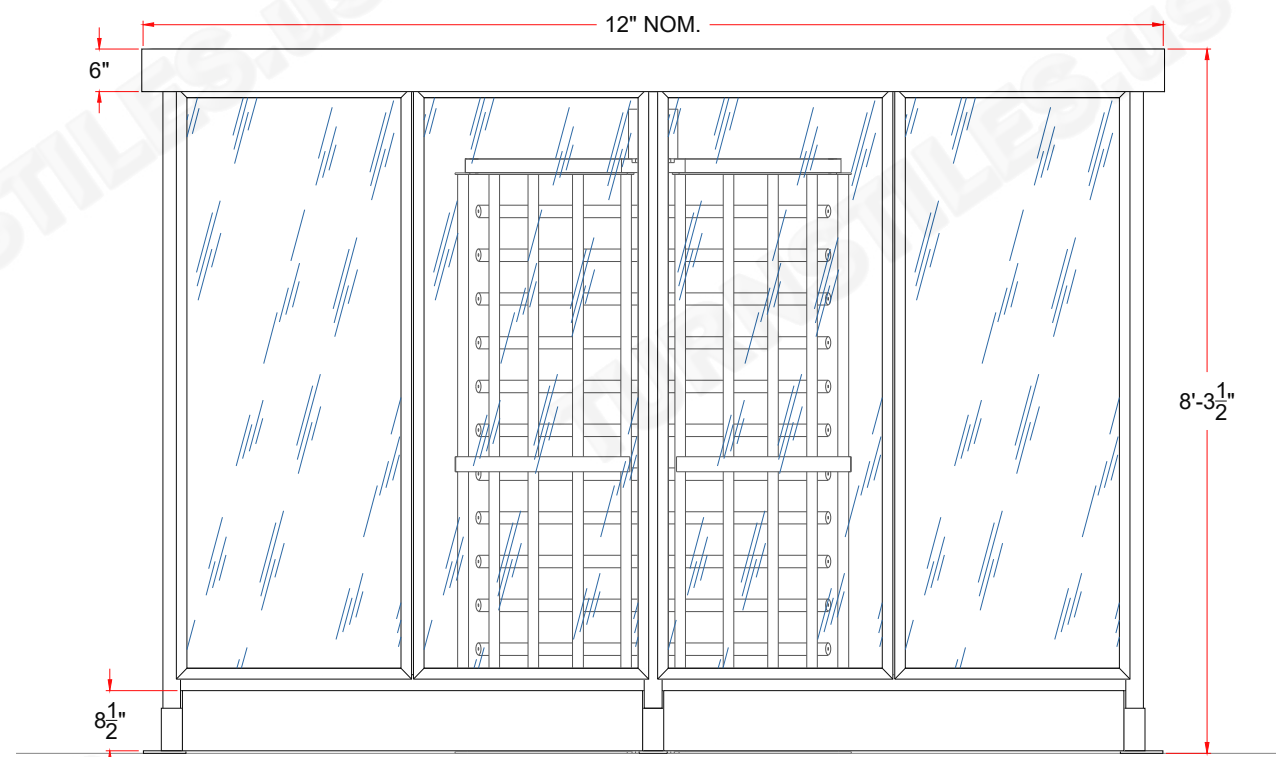


# AutoCAD Drawings

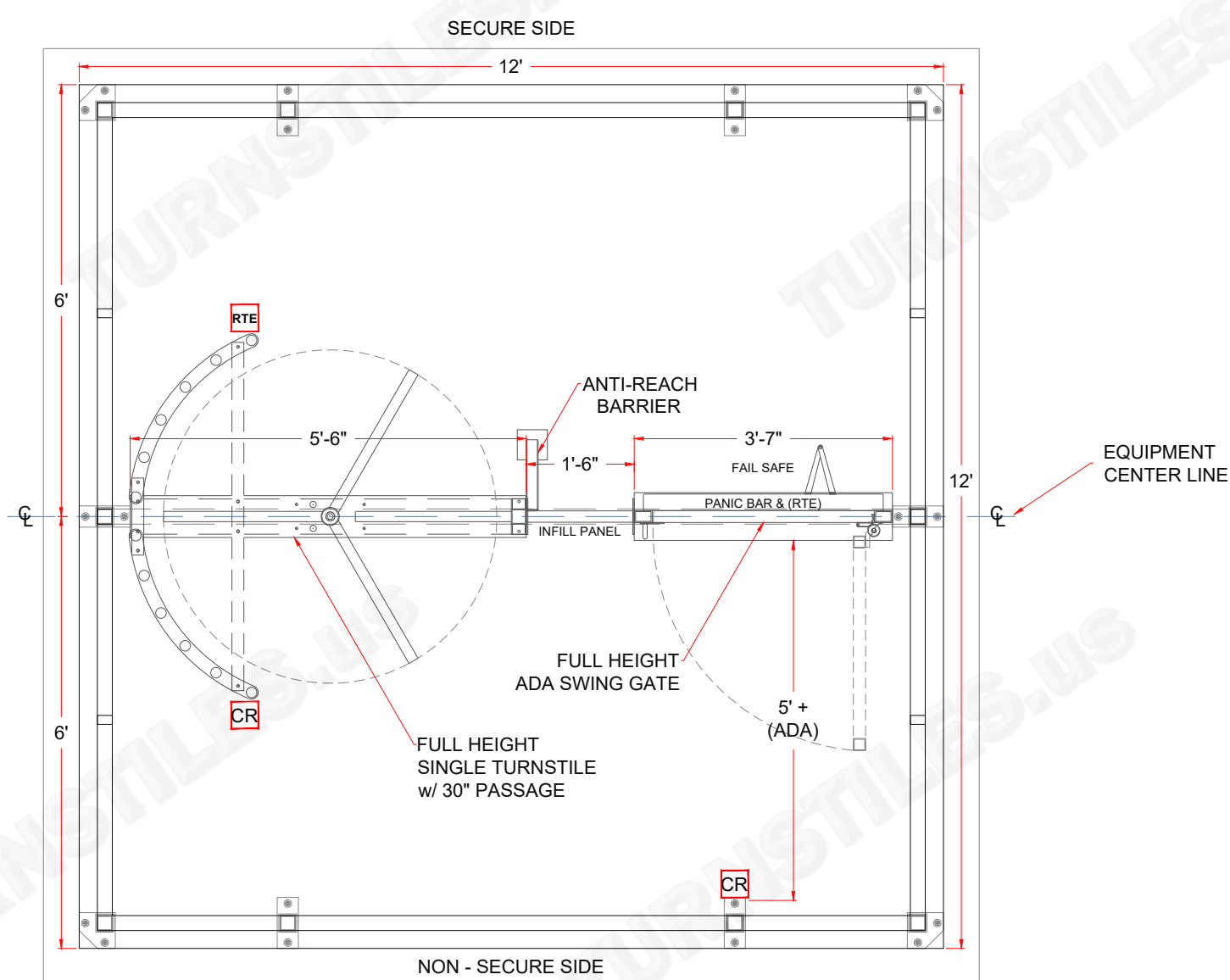
\*\*\* DIMENSIONS MAY VARY SLIGHTLY IN ACTUAL INSTALLATION - FABRICATION CHANGES OR SUBSTITUTIONS RESERVED \*\*\*



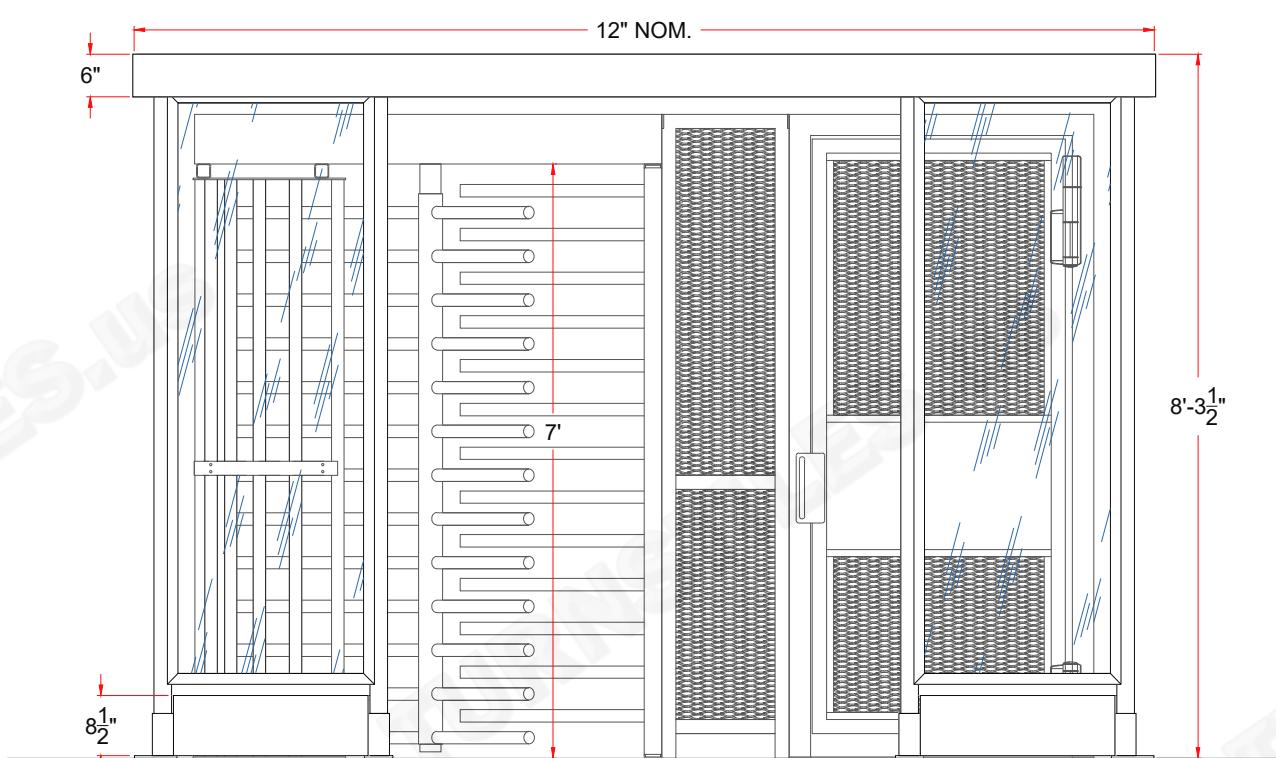
ELEVATION - REAR  
SECURE SIDE



ELEVATION - SIDE



FOOT PRINT  
(fascia, gutters, and roof panels, not shown)



ELEVATION - FRONT  
NON-SECURE SIDE

AUTHORIZED SIGNATURE: \_\_\_\_\_

DATE: \_\_\_ / \_\_\_ / \_\_\_

FIRST DRAWN	BY
01-23-25	CJC
REVISED	BY
01-30-25	CJC
<p><b>COPYRIGHT © TURNSTILES.US</b>                  Copyright © Turnstiles.us All rights reserved. Reproduction or translation of this work without the express written permission of TURNSTILES.US is unlawful and is an infringement of intellectual property belonging to TURNSTILES.US.                  All drawings and/or designs are restricted for use exclusively with a purchase, installation, and/or support from Turnstiles.us. Any other use of these materials is a violation of copyright law. Request for additional information should be addressed to the Legal Department, Turnstiles.us.</p>	

**TURNSTILES.US**  
 SECURING THE USA and the GLOBE since 1989  
 www.TURNSTILES.us  
 Call: 303-670-1099 | Text: 303-918-9787  
 patrick.mcallister@turnstiles.us

EQUIPMENT DETAIL	
CM&B - Hudson, NH 12' x 12' Freestanding Enclosed Canopy for Full Height Turnstile and ADA Swing Gate with Infill Panel	
DRAWING:	
CM&B 12x12 ENCL CANOPY TURNSTILE - SWING GATE DETAIL - REV A	
DATE:	01-30-25
PAGE:	1 OF 1