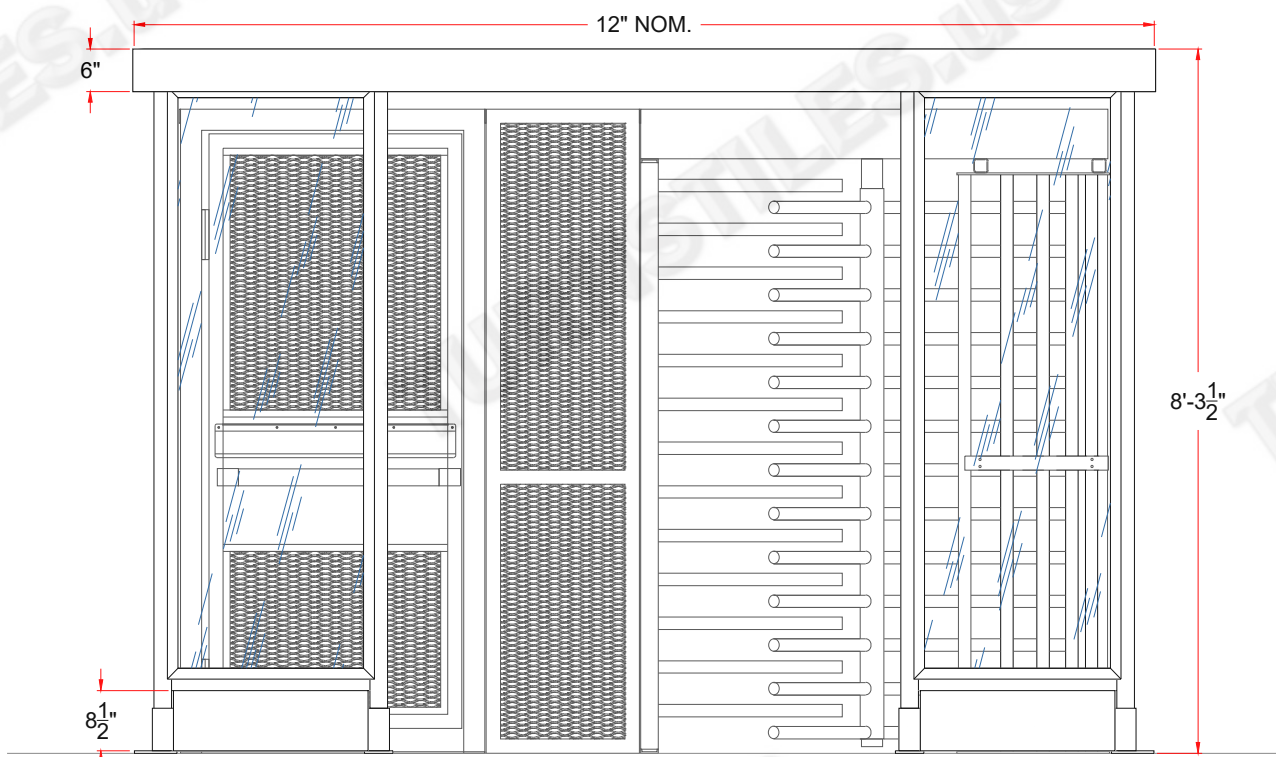
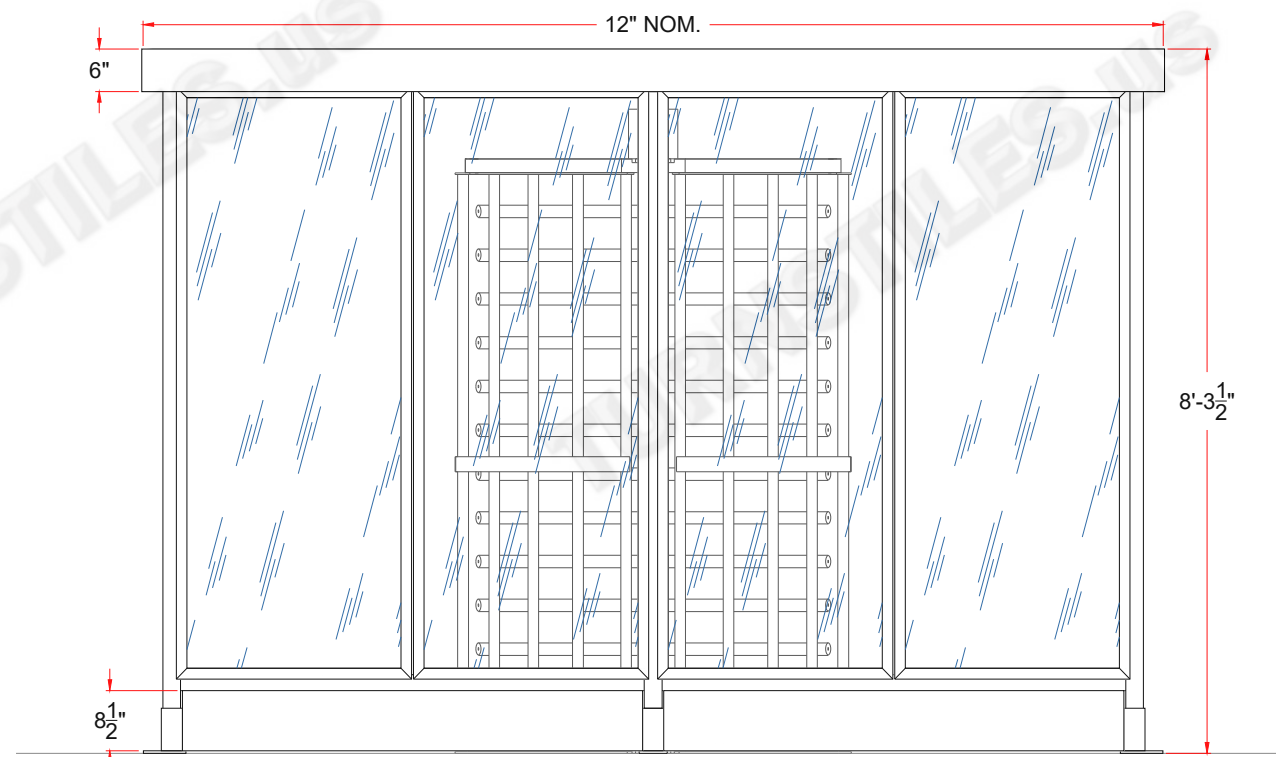


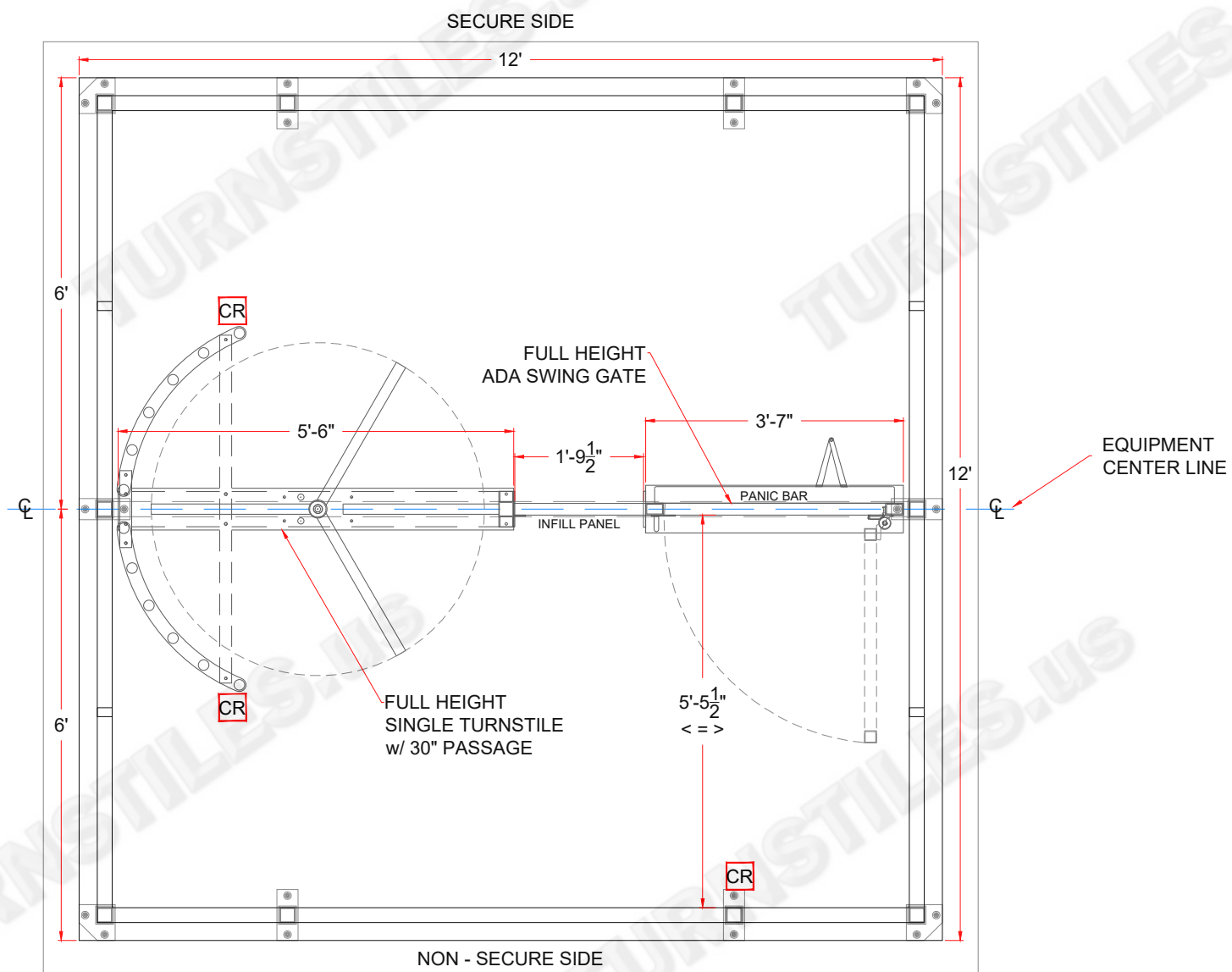
*** DIMENSIONS MAY VARY SLIGHTLY IN ACTUAL INSTALLATION - FABRICATION CHANGES OR SUBSTITUTIONS RESERVED ***



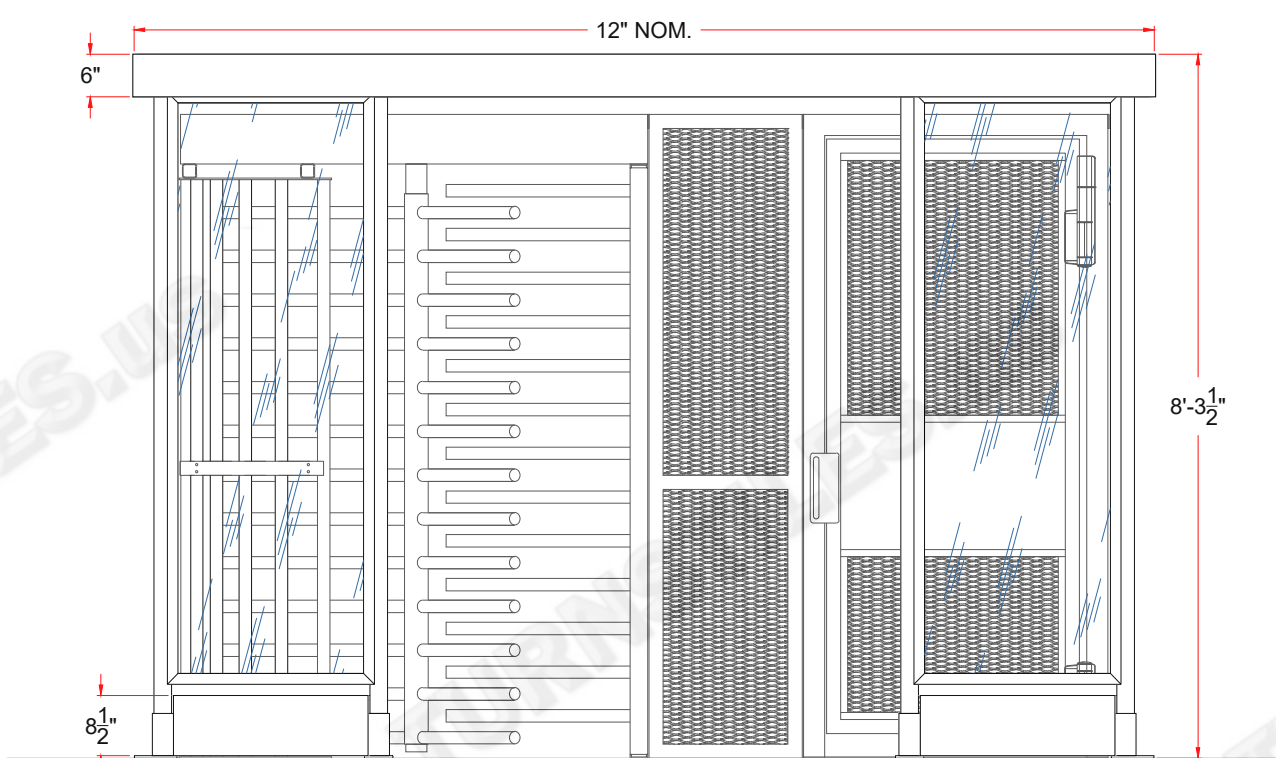
ELEVATION - REAR
SECURE SIDE



ELEVATION - SIDE



FOOT PRINT
(fascia, gutters, and roof panels, not shown)



ELEVATION - FRONT
NON-SECURE SIDE

AUTHORIZED SIGNATURE: _____

DATE: ___ / ___ / ___

FIRST DRAWN	BY
01-23-25	CJC
REVISED	BY

COPYRIGHT © TURNSTILES.US
 Copyright © Turnstiles.us All rights reserved. Reproduction or translation of this work without the express written permission of TURNSTILES.US is unlawful and is an infringement of intellectual property belonging to TURNSTILES.US.
 All drawings and/or designs are restricted for use exclusively with a purchase, installation, and/or support from Turnstiles.us. Any other use of these materials is a violation of copyright law. Request for additional information should be addressed to the Legal Department, Turnstiles.us.

TURNSTILES.US
 SECURING THE USA and the GLOBE since 1989
www.TURNSTILES.us
 Call: 303-670-1099 | Text: 303-918-9787
patrick.mcallister@turnstiles.us

EQUIPMENT DETAIL	
CM&B - Hudson, NH 12' x 12' Freestanding Enclosed Canopy for Full Height Turnstile and ADA Swing Gate with Infill Panel	
DRAWING:	CM&B 12x12 ENCL CANOPY TURNSTILE - SWING GATE DETAIL
DATE:	01-23-25
PAGE:	1 OF 1