

1

2

3

4

D

D

C

C

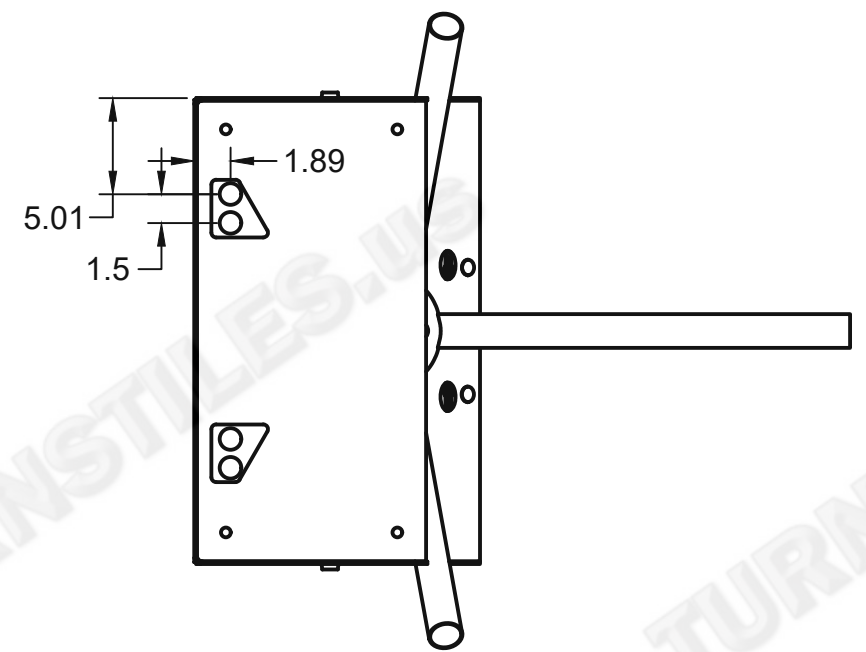
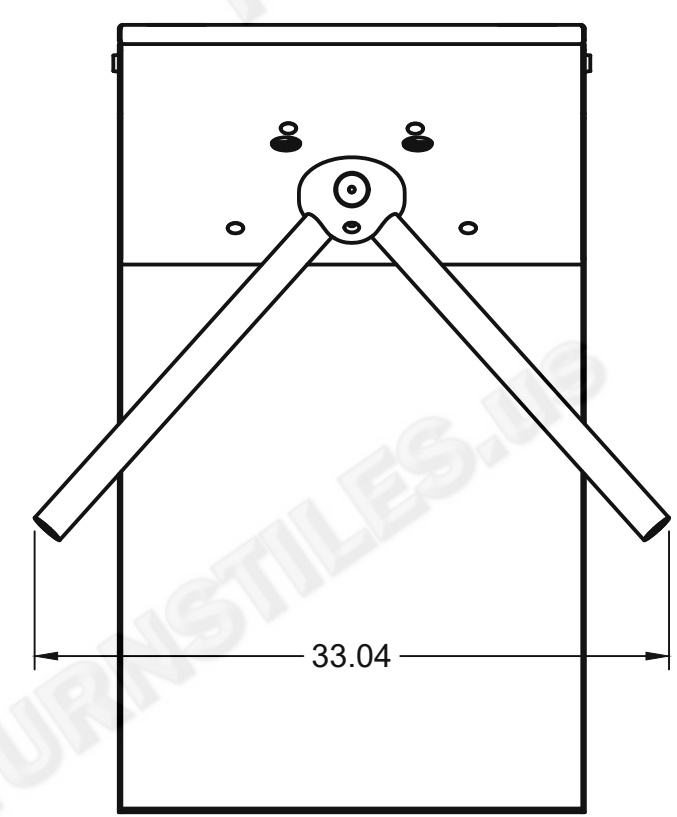
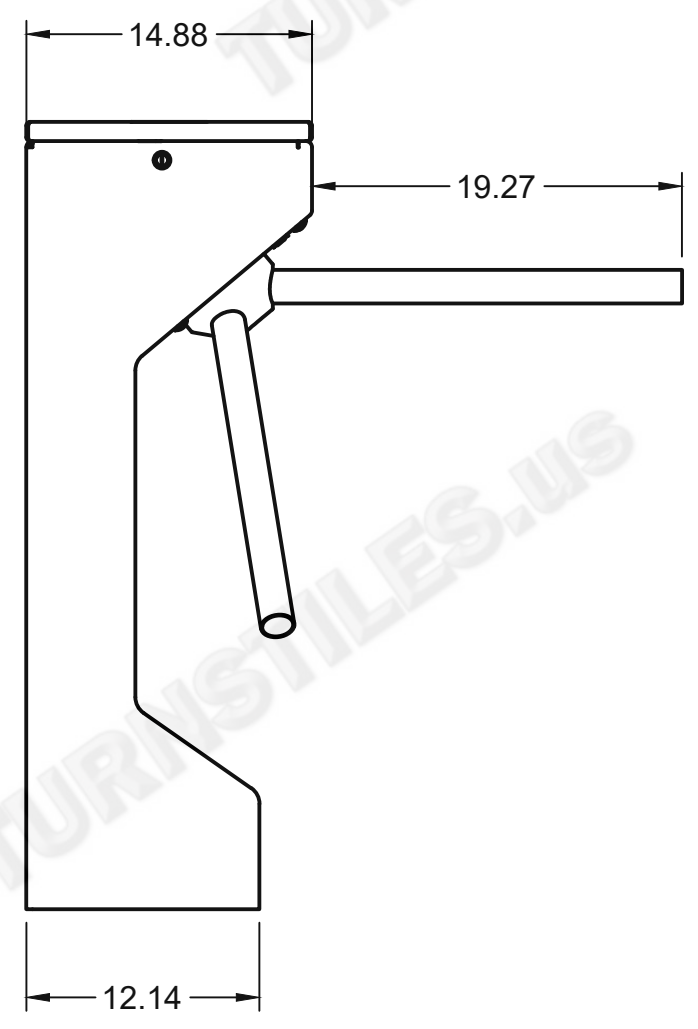
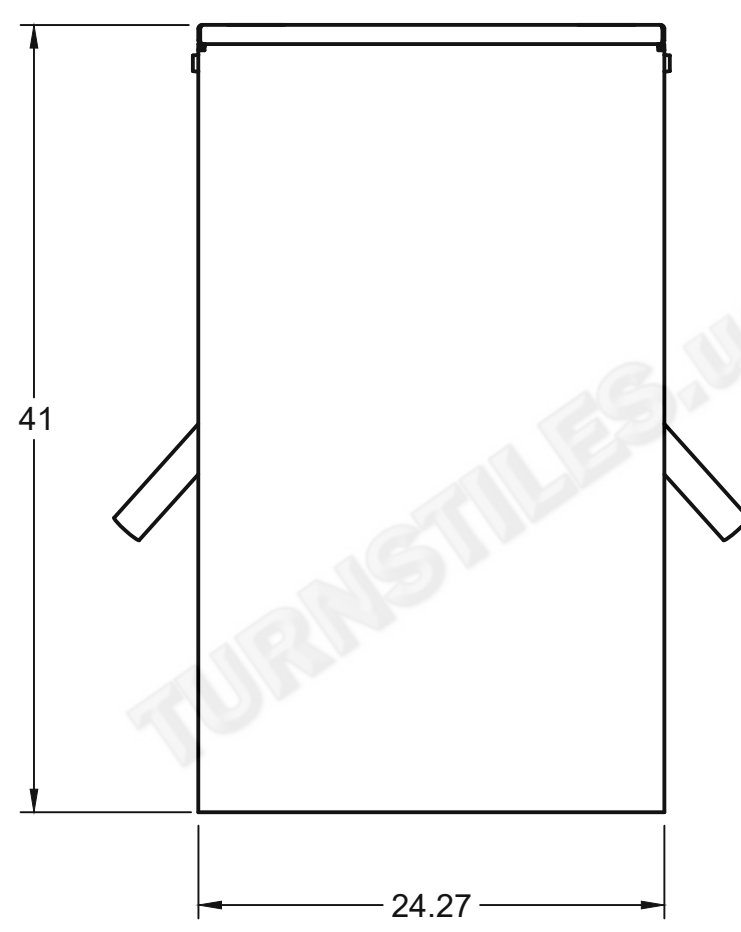
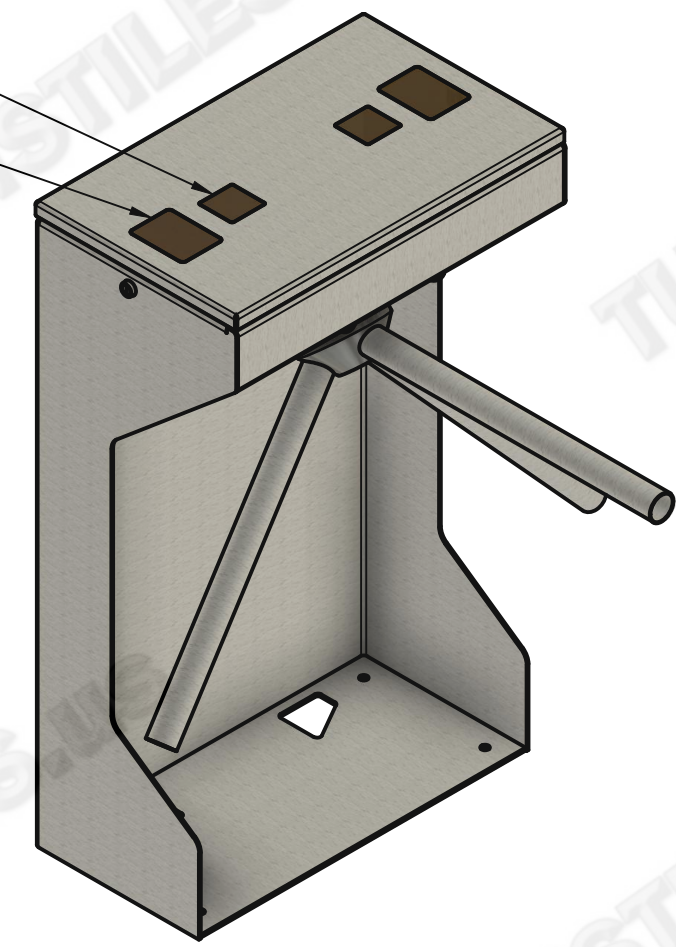
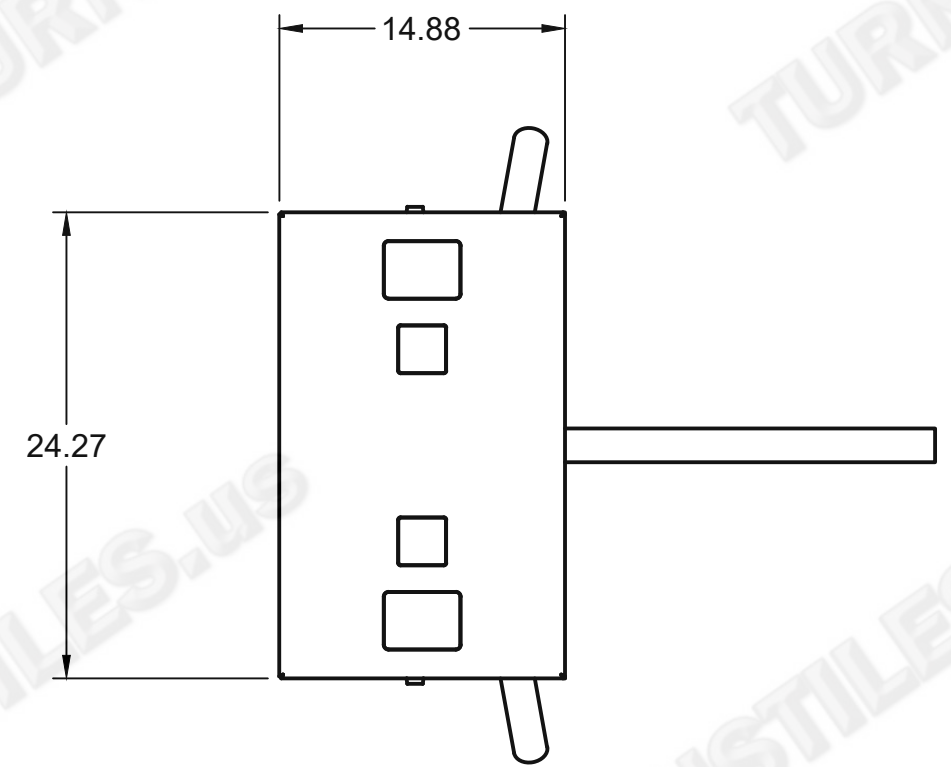
B

B

A

A

OPTIONAL INDICATOR LIGHT WINDOW  
 OPTIONAL CARD READER WINDOW WITH MOUNT



FIRST DRAWN	BY
11/07/24	JM
REVISED	BY

**COPYRIGHT © TURNSTILES.US**  
 Copyright © Turnstiles.us All rights reserved. Reproduction or translation of this work without the express written permission of TURNSTILES.us is unlawful and is an infringement of intellectual property belonging to TURNSTILES.us.  
 All drawings and/or designs are restricted for use exclusively with a purchase, installation, and/or support from Turnstiles.us. Any other use of these materials is a violation of copyright law. Request for additional information should be addressed to the Legal Department, Turnstiles.us.

**TURNSTILES.US**  
 SECURING THE USA and the GLOBE since 1989  
[www.TURNSTILES.us](http://www.TURNSTILES.us)  
 Call: 303-670-1099 | Text: 303-918-9787  
[patrick.mcallister@turnstiles.us](mailto:patrick.mcallister@turnstiles.us)

EQUIPMENT DETAIL	
<a href="http://www.TURNSTILES.us">www.TURNSTILES.us</a> OL-20-TP Tripod Turnstile Equipment Dimension Detail	
DRAWING:	
OL-20 Series Tripod Turnstile Equipment Dimension Detail	
DATE:	11-07-24
PAGE:	1 OF 1