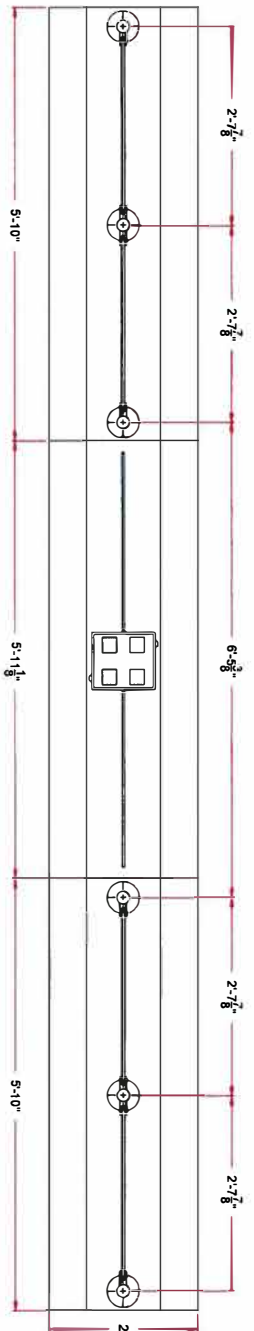
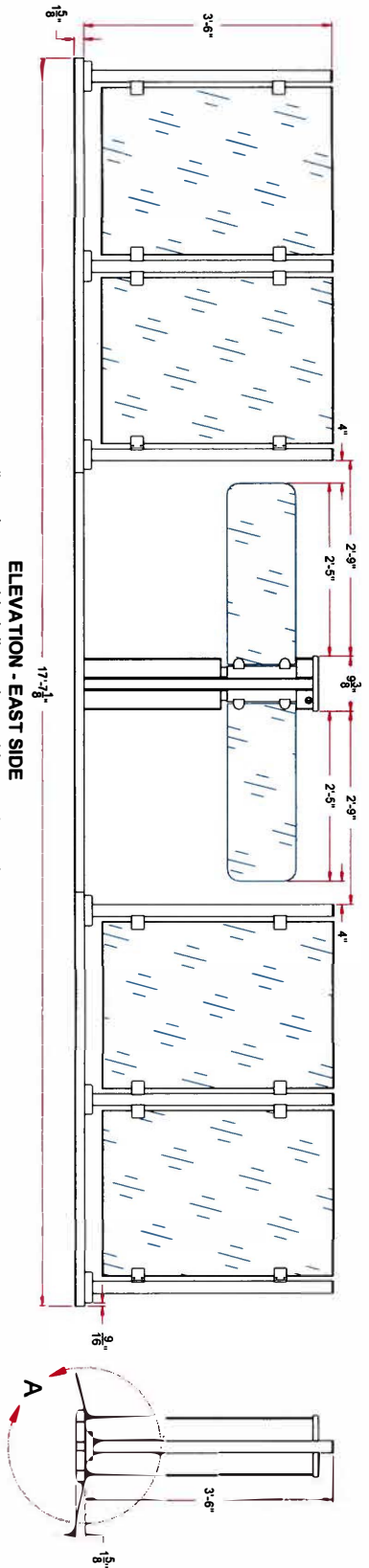


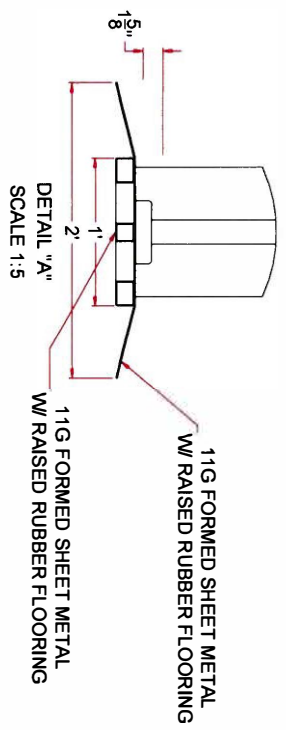
DIMENSIONS MAY VARY IN ACTUAL INSTALLATION - FABRICATION CHANGES RESERVED - SIMILAR EQUIPMENT MAY BE SUBSTITUTED *



FLOOR PLAN



ELEVATION - EAST SIDE
(based on provided dimension, subject to change)



DETAIL "A"
SCALE 1:5

Handwritten signature and initials

AUTHORIZED SIGNATURE: _____

DATE: ____/____/____

TURNSTILES.us
 SECURING THE USA and the GLOBE since 1989
 www.TURNSTILES.us
 Call: 303-670-1099 | Text: 303-918-9787
 patrick.mcallister@turnstiles.us

FIRST DRAWN	BY
06-19-24	John
REVISED	BY
06-24-24	CJC

TURNSTILES.us
 JOINT VENTURE

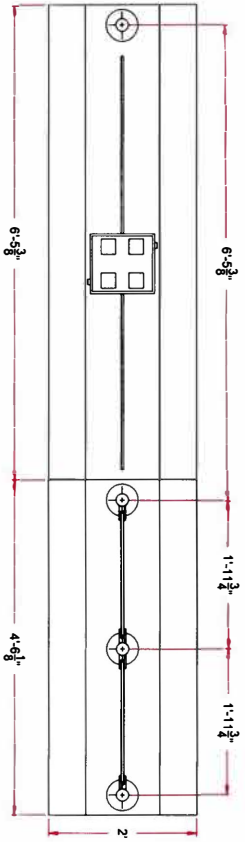
COPYRIGHT © TURNSTILES.US
 Turnstiles.us, the Turnstiles.us logo, and the Turnstiles.us name are trademarks of Turnstiles.us. All rights reserved. Turnstiles.us is not responsible for any errors or omissions in this document. Turnstiles.us is not responsible for any damages, including consequential damages, arising from the use of this document. Turnstiles.us is not responsible for any legal actions, including lawsuits, arising from the use of this document. Turnstiles.us is not responsible for any other damages, including consequential damages, arising from the use of this document. Turnstiles.us is not responsible for any other legal actions, including lawsuits, arising from the use of this document.

EQUIPMENT LOCATION DETAIL
 Illinois Student Assistant Commission
 Springfield, IL 61820
 Spring Campus
 East and West Sides

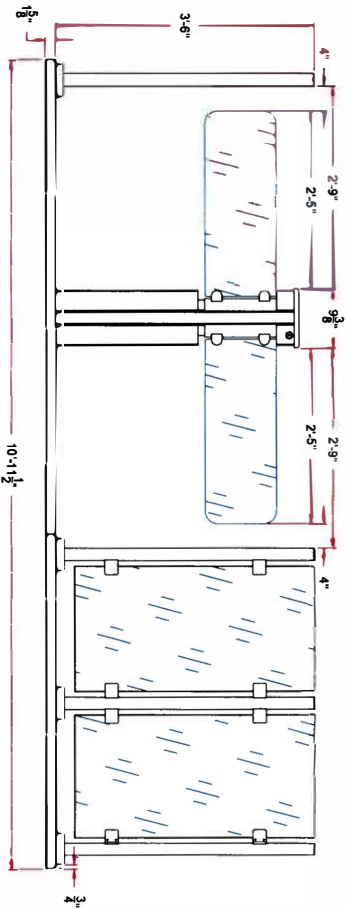
DRAWING
 Illinois Student Assistant Commission
 East and West Sides
 ELD

DATE: 06-24-24
 PAGE: 2 OF 2

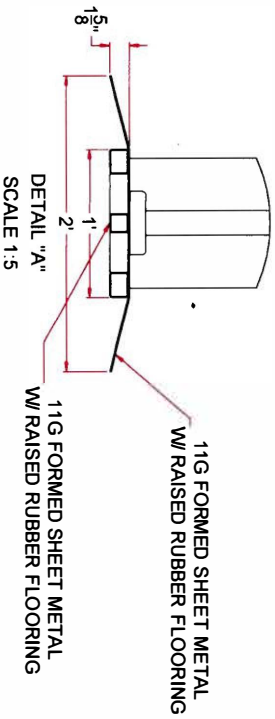
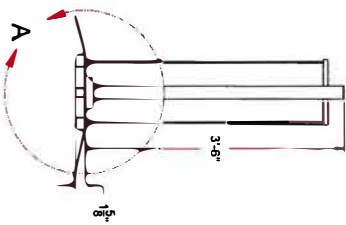
DIMENSIONS MAY VARY IN ACTUAL INSTALLATION - FABRICATION CHANGES RESERVED - SIMILAR EQUIPMENT MAY BE SUBSTITUTED *



FLOOR PLAN



ELEVATION - EAST SIDE
(based on provided dimension, subject to change)



DETAIL "A"
SCALE 1:5

11G FORMED SHEET METAL
W/ RAISED RUBBER FLOORING

AUTHORIZED SIGNATURE: _____

DATE: ____/____/____

Handwritten signature and initials

FIRST DRAWN	BY
08-12-24	Jim
REVISED	BY
08-24-24	CJC



TURNSTILES.us
 SECURING THE USA and the GLOBE since 1989
 www.TURNSTILES.us
 Call: 303-670-1099 | Text: 303-918-9787
 patrick.mcallister@turnstiles.us

COPYRIGHT © TURNSTILES.US Copyright © Turnstiles.us All rights reserved. Turnstiles.us is a registered trademark of Turnstiles.us. All other trademarks are the property of their respective owners.	
EQUIPMENT LOCATION DETAIL Illinois Student Assistant Commission Deerfield, IL - Hrt AZ/S Swing Gate Turnstiles East and West Sides	
DRAWING Illinois Student Assistant Commission East and West Sides ELD	
DATE	08-24-24
PAGE	1 OF 2