

1

2

3

4

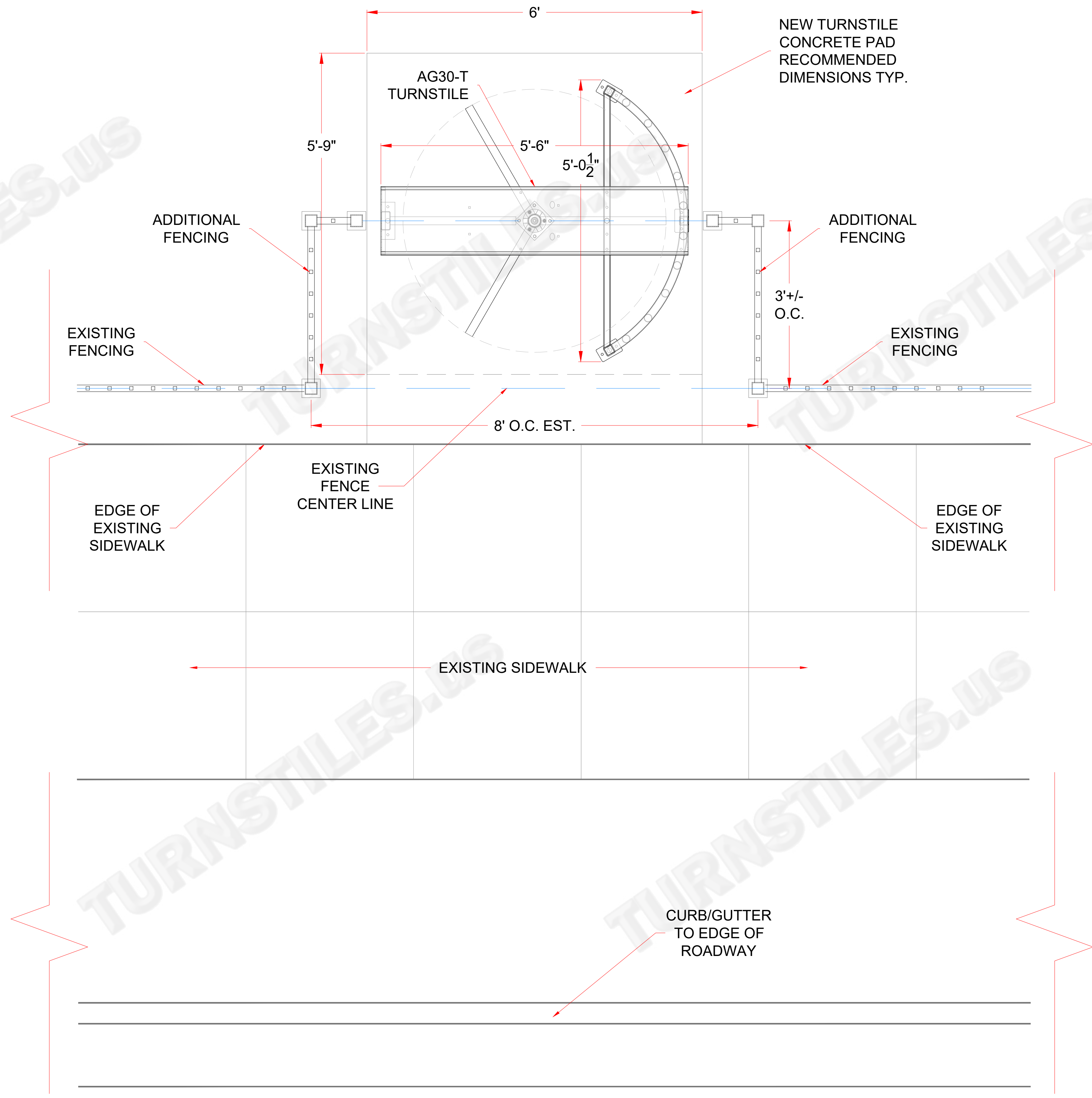
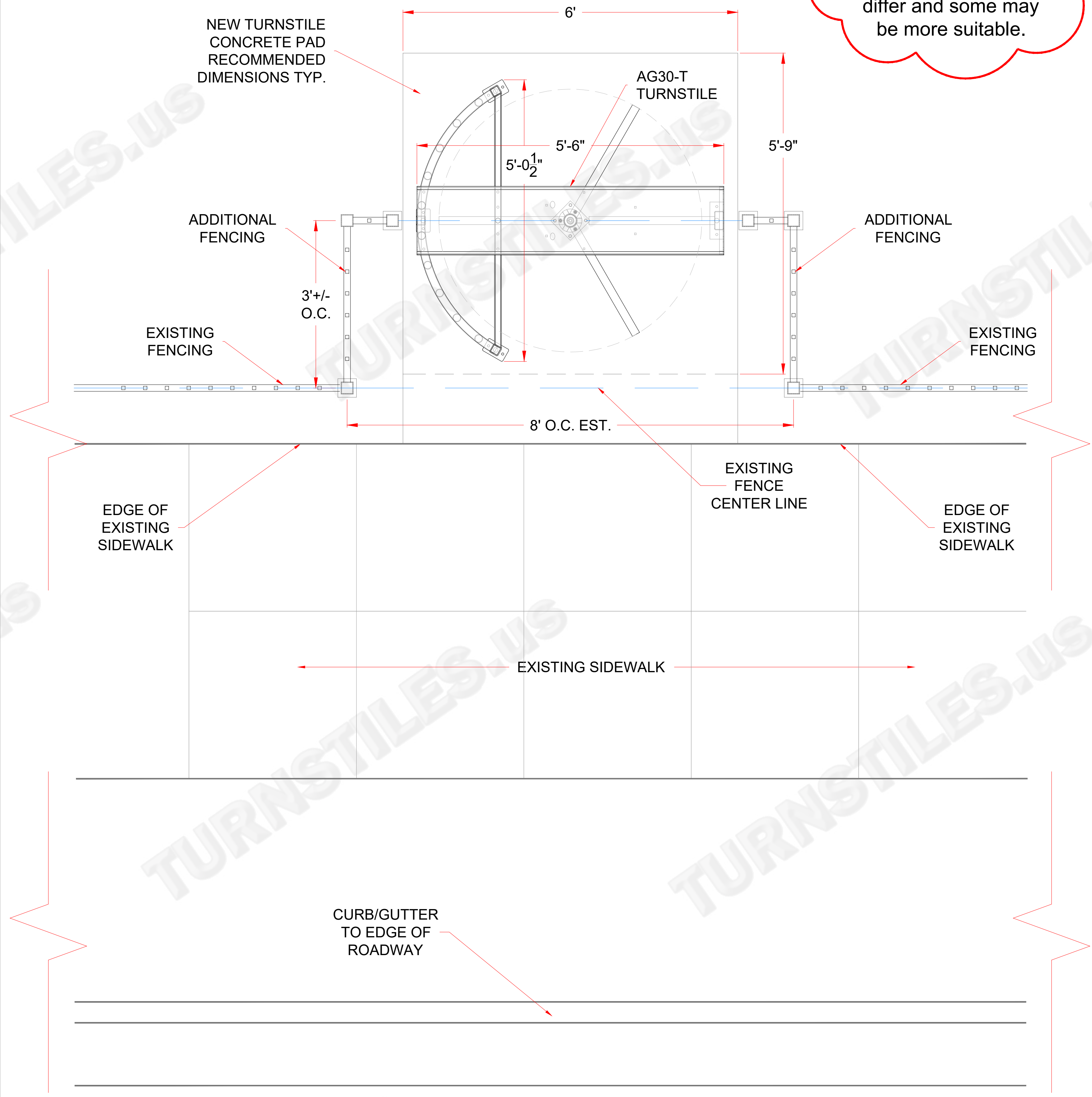
FIRST DRAWN	BY
05-15-24	CJC
REVISED	BY

COPYRIGHT © TURNSTILES.US
 Copyright © Turnstiles.us All rights reserved. Reproduction or translation of this work without the express written permission of TURNSTILES.US is unlawful and is an infringement of intellectual property belonging to TURNSTILES.US.
 All drawings and/or designs are restricted for use exclusively with a purchase, installation, and/or support from Turnstiles.us. Any other use of these materials is a violation of copyright law. Request for additional information should be addressed to the Legal Department, Turnstiles.us.

WEST SIDE

EAST SIDE

Installation locations are to be determined and may vary. Fence openings differ and some may be more suitable.



TURNSTILES.US
 SECURING THE USA and the GLOBE since 1989
 www.TURNSTILES.us
 Call: 303-670-1099 | Text: 303-918-9787
 patrick.mcallister@turnstiles.us

EQUIPMENT LOCATION DETAIL	
D.C. Army National Guard 2001 East Capitol Street SE AG-30-T Series Full Height Turnstile Pad Detail & Dimensions in Fence-line	
DRAWING:	
D.C. ARMY NATIONAL GUARD AG-30-T SERIES ELD	
DATE:	05-15-24
PAGE:	1 OF 1