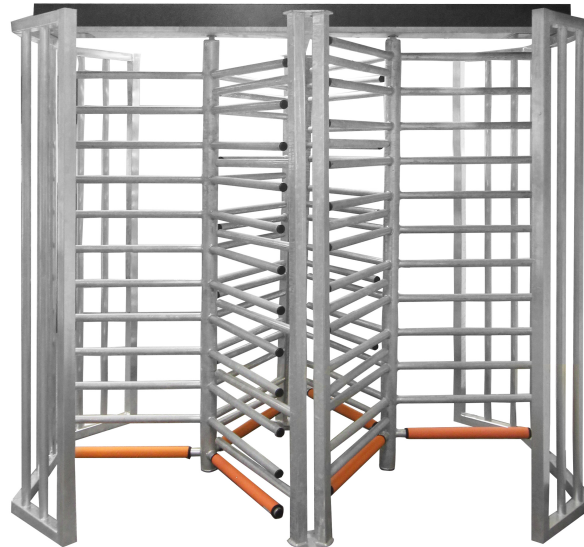




JOINT VENTURE

HT431T Tandem Full Height Turnstile

Complete Dimensions and Mounting Information



1

2

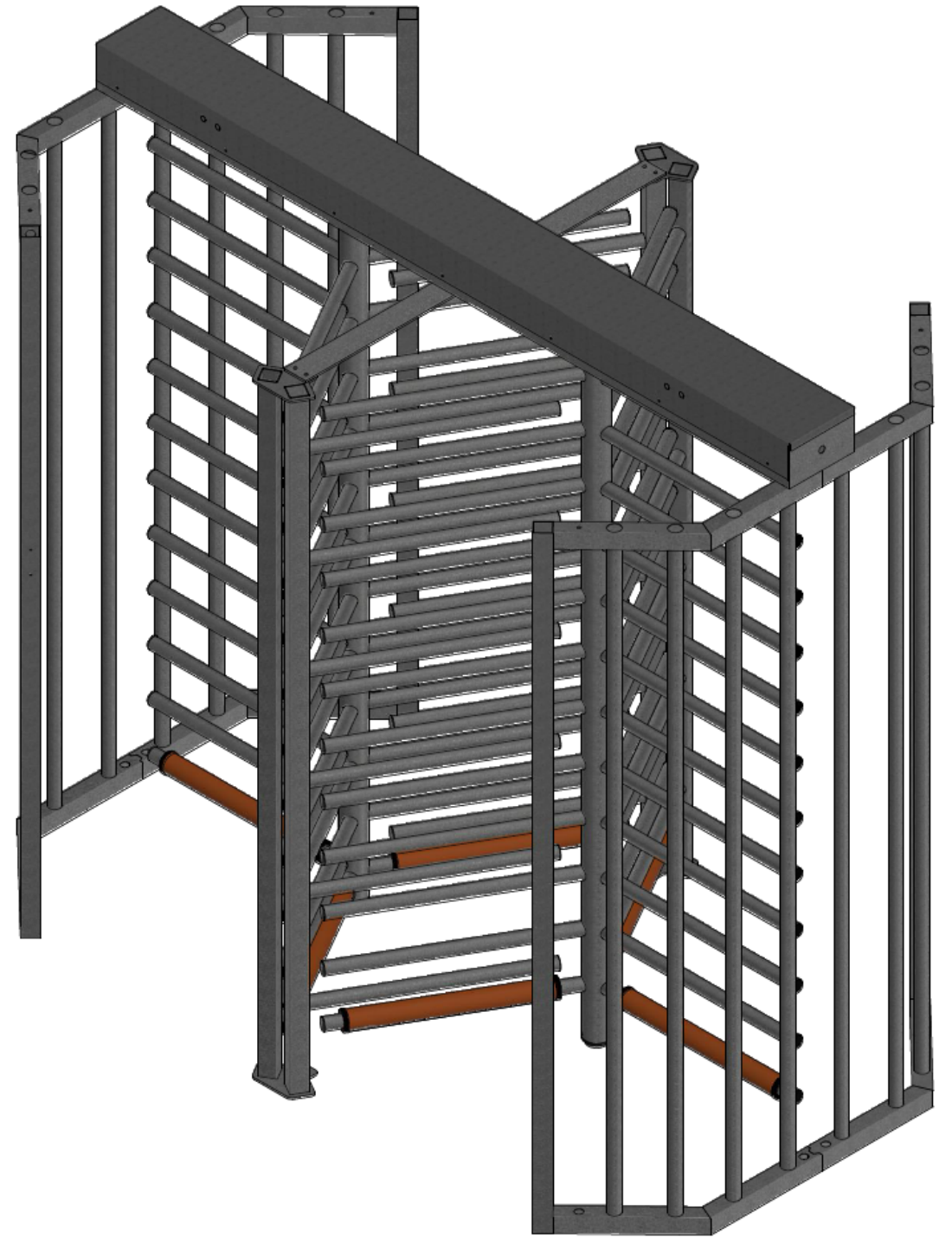
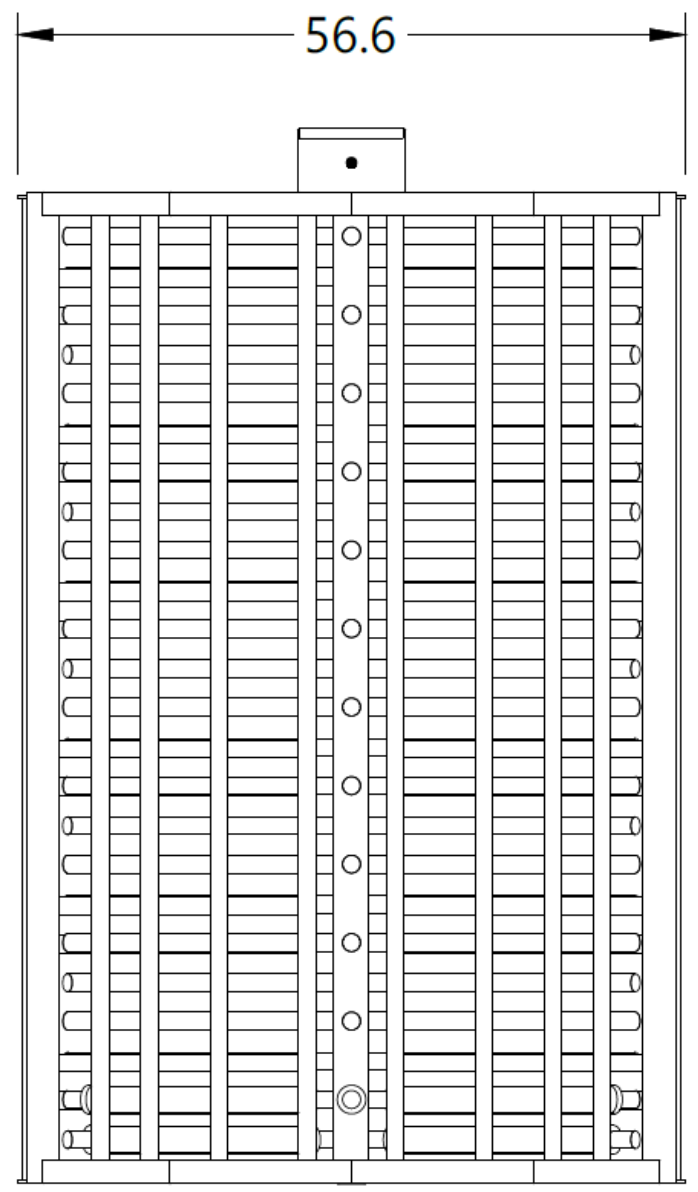
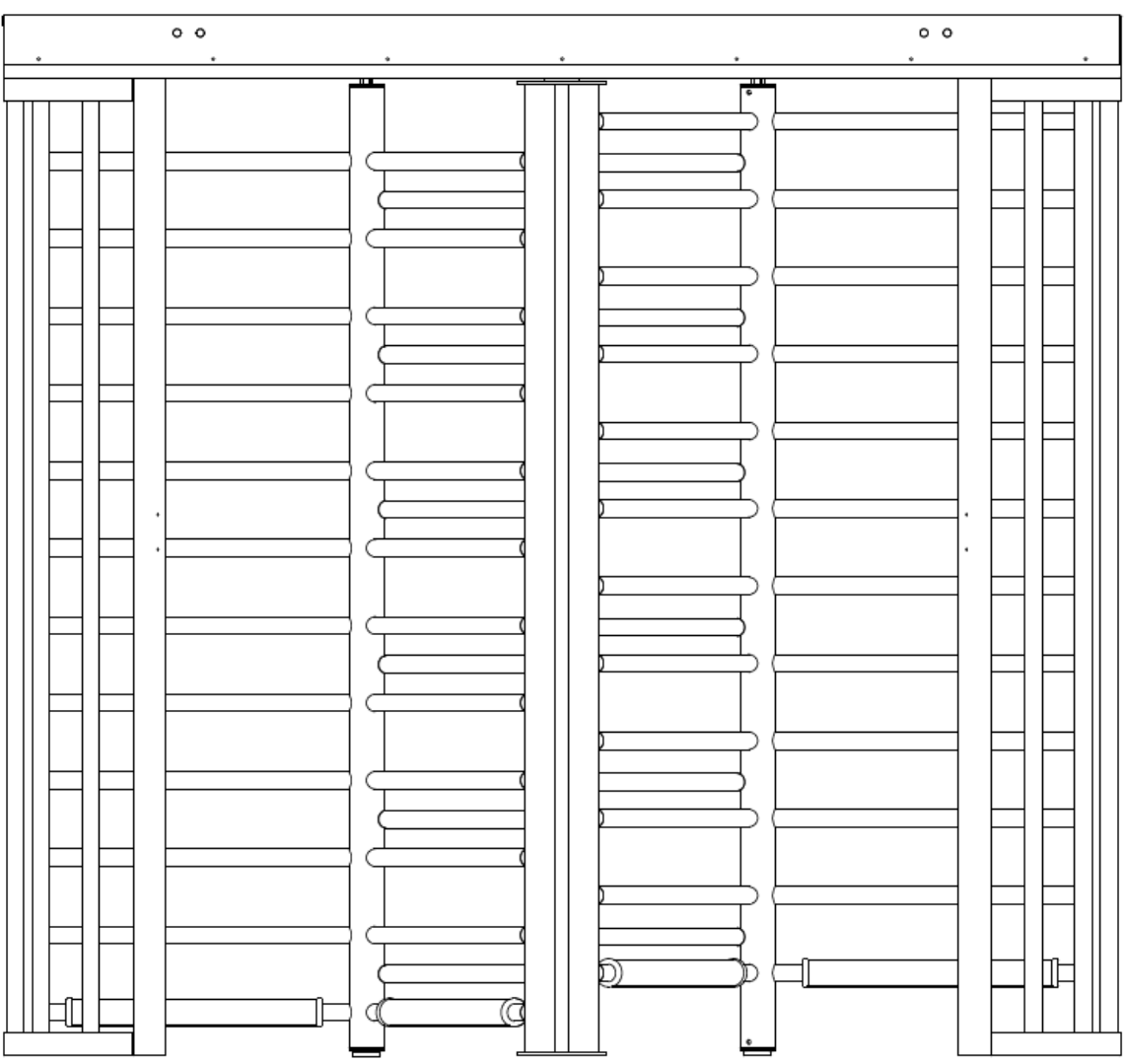
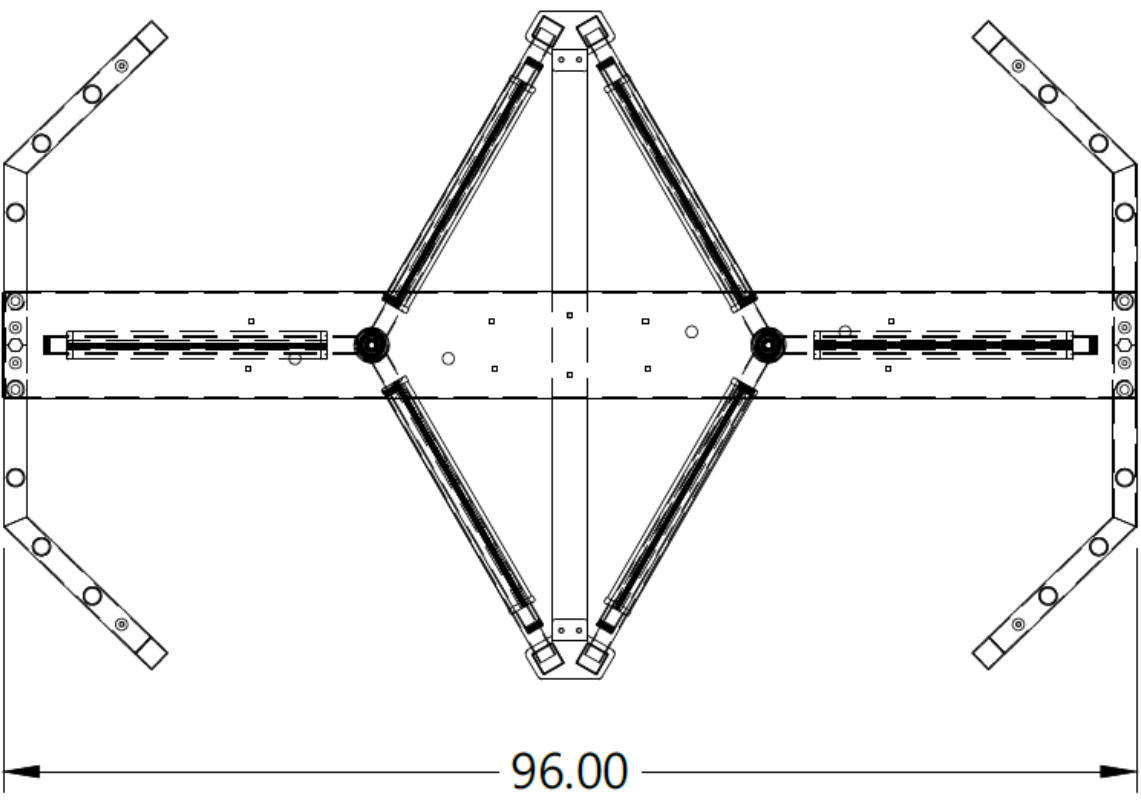
3

4

FIRST DRAWN	BY
08-06-24	THJV
REVISED	BY

COPYRIGHT © TURNSTILES.US
 Copyright © Turnstiles.us All rights reserved. Reproduction or translation of this work without the express written permission of TURNSTILES.US is unlawful and is an infringement of intellectual property belonging to TURNSTILES.US.
 All drawings and/or designs are restricted for use exclusively with a purchase, installation, and/or support from Turnstiles.us. Any other use of these materials is a violation of copyright law. Request for additional information should be addressed to the Legal Department, Turnstiles.us.

HT431T Tandem Full Height Turnstile



Unless otherwise specified, all dimensions are in inches.

- .XXX +/- .005
- .XX +/- .010
- .X +/- .03
- Surface finish 125 RMS Max
- Break all edges & sharp corners

TURNSTILES.US

Hayward
TURNSTILES, INC.

JOINT VENTURE

Equipment Location Detail	
HT431T Tandem Turnstile Equipment Dimension Details	
DRAWING:	
HT431T Tandem Turnstile Equipment Dimension Details	
DATE:	08-06-24
PAGE:	1 OF 1

D

D

C

C

B

B

A

A

1

2

3

4

1

2

3

4

FIRST DRAWN	BY
08-06-24	THJV
REVISED	BY

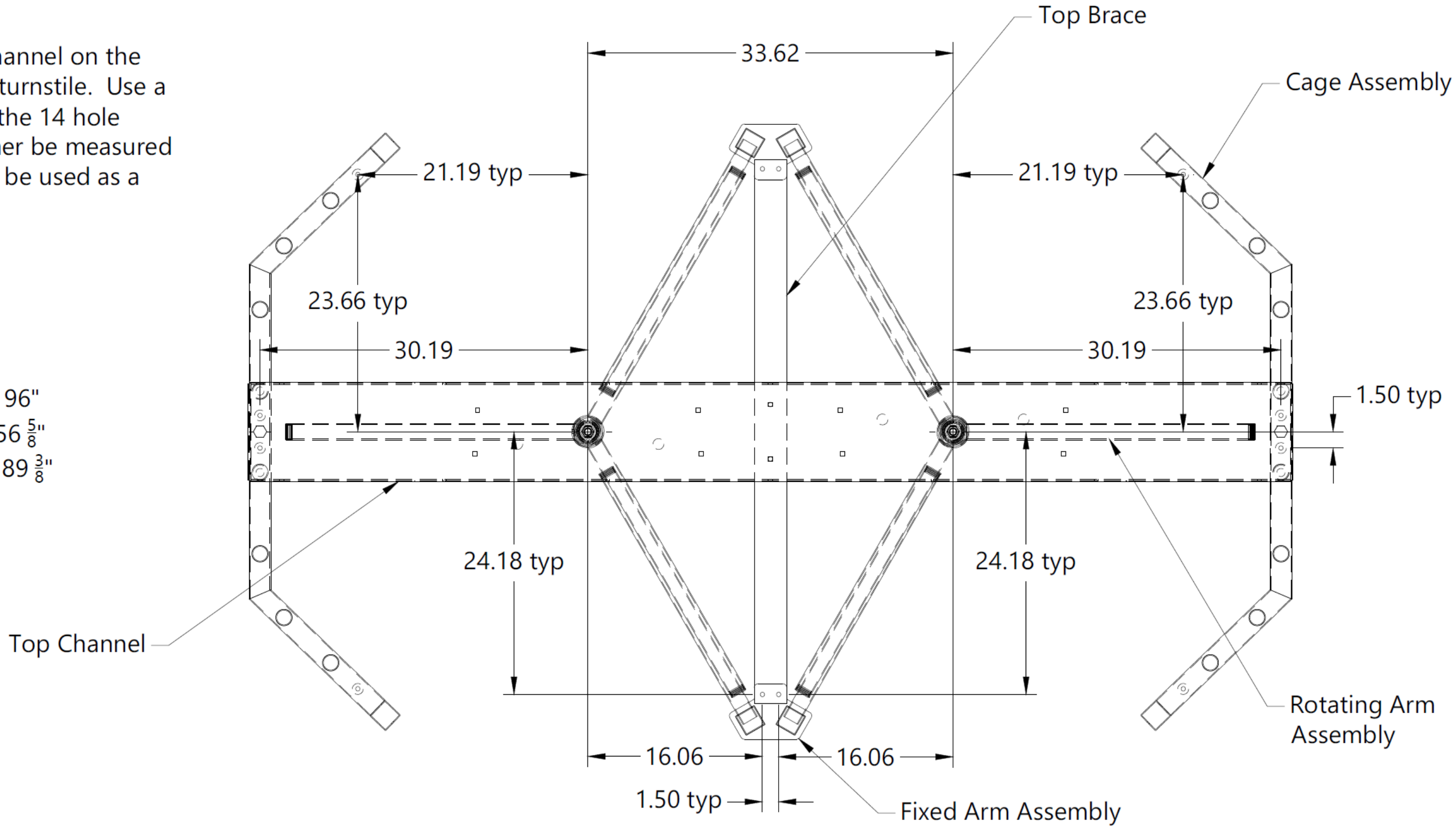
COPYRIGHT © TURNSTILES.US
 Copyright © Turnstiles.us All rights reserved. Reproduction or translation of this work without the express written permission of TURNSTILES.US is unlawful and is an infringement of intellectual property belonging to TURNSTILES.US.
 All drawings and/or designs are restricted for use exclusively with a purchase, installation, and/or support from Turnstiles.us. Any other use of these materials is a violation of copyright law. Request for additional information should be addressed to the Legal Department, Turnstiles.us.

All measurements are referenced from the center of the rotating arm assemblies.

A total of 14 holes need to be drilled in the mounting surface (4 for the fixed center arms, 2 for rotating arm bearings & 8 for the cage assemblies).

HINT: you can lay the top channel on the ground where you want the turnstile. Use a magic marker to trace 10 of the 14 hole locations. The last 4 can either be measured or each cage assemblies can be used as a template.

Overall Length 96"
 Overall Width 56 ⁵/₈"
 Overall Height 89 ³/₈"



TURNSTILES.US

FH HAYWARD
TURNSTILES, INC.

JOINT VENTURE

Equipment Location Detail	
HT431T Tandem Turnstile Conduit Hole Location Dimensions Details	
DRAWING:	
HT431T Tandem Turnstile Conduit Hole Location Details	
DATE:	08-06-24
PAGE:	1 OF 1

1

2

3

4

1

2

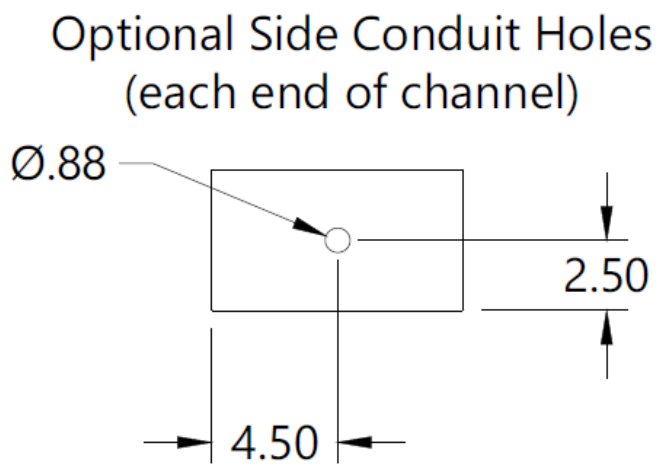
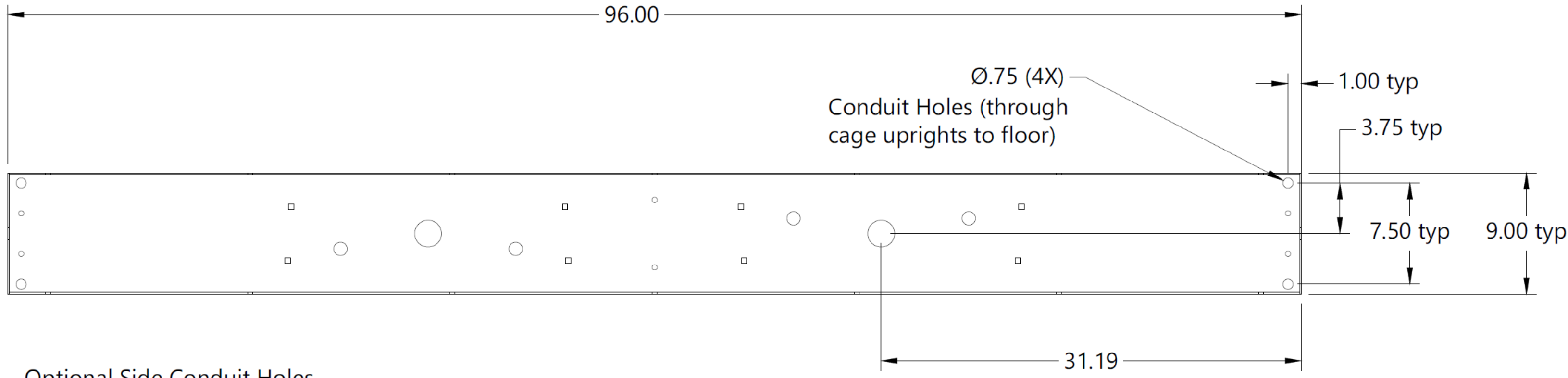
3

4

FIRST DRAWN	BY
08-06-24	THJV
REVISED	BY

COPYRIGHT © TURNSTILES.US
 Copyright © Turnstiles.us All rights reserved. Reproduction or translation of this work without the express written permission of TURNSTILES.US is unlawful and is an infringement of intellectual property belonging to TURNSTILES.US.
 All drawings and/or designs are restricted for use exclusively with a purchase, installation, and/or support from Turnstiles.us. Any other use of these materials is a violation of copyright law. Request for additional information should be addressed to the Legal Department, Turnstiles.us.

WIRING NOTES: Do not run low voltage and high voltage wiring in the same conduit. Be sure to bond the turnstile according to local code. Every installation is different so the HT431T was designed to accommodate many different wiring configurations. Wiring can be run from the floor up through any of the cage section uprights and into the top channel. Additionally, wiring can be run from a wall directly into the top channel at either end.



Unless otherwise specified, all dimensions are in inches.

TURNSTILES.US

HAYWARD
TURNSTILES, INC.

JOINT VENTURE

Equipment Location Detail	
HT431T Tandem Turnstile Header Conduit Locations Equipment Dimension Details	
DRAWING:	
HT431T Tandem Turnstile Header Conduit Locations Equipment Dimension Details	
DATE:	08-06-24
PAGE:	1 OF 1

1

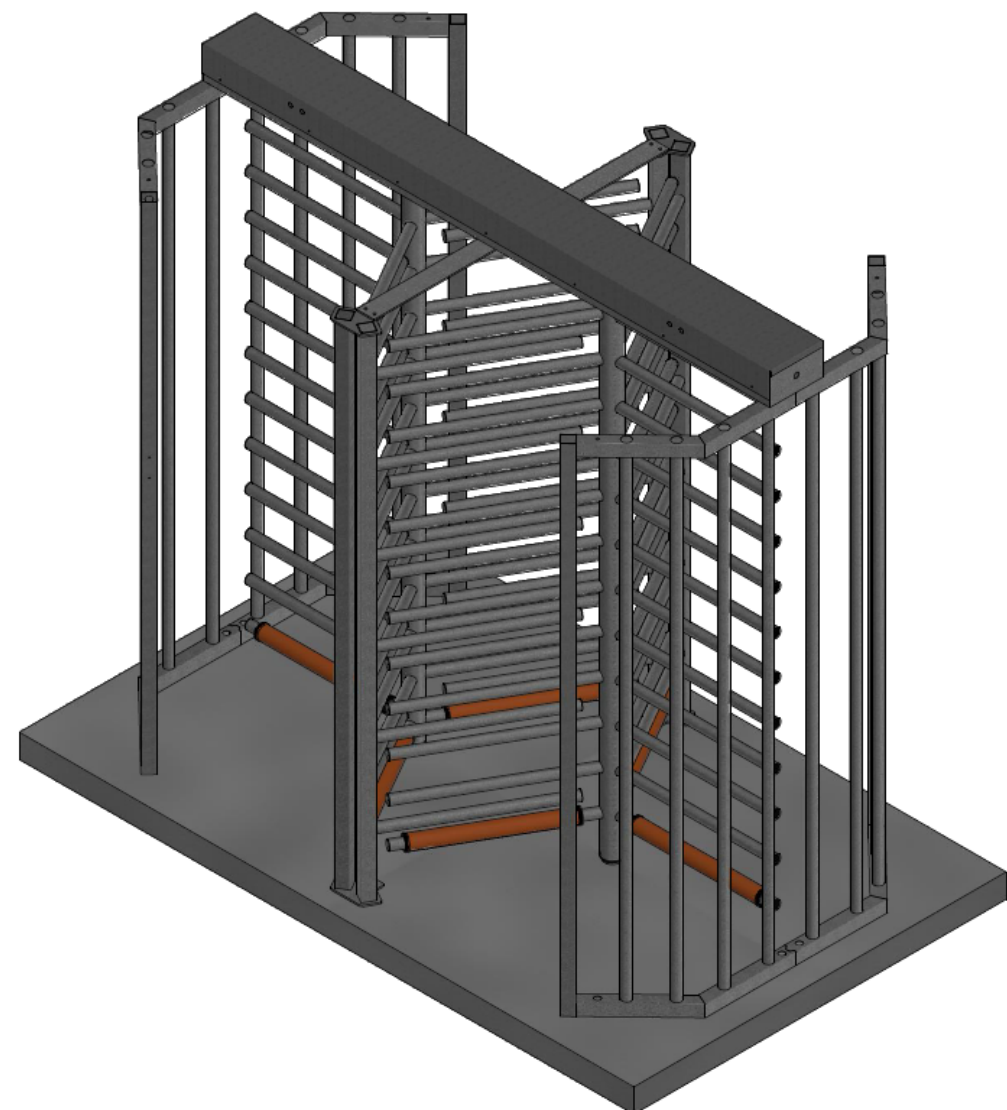
2

3

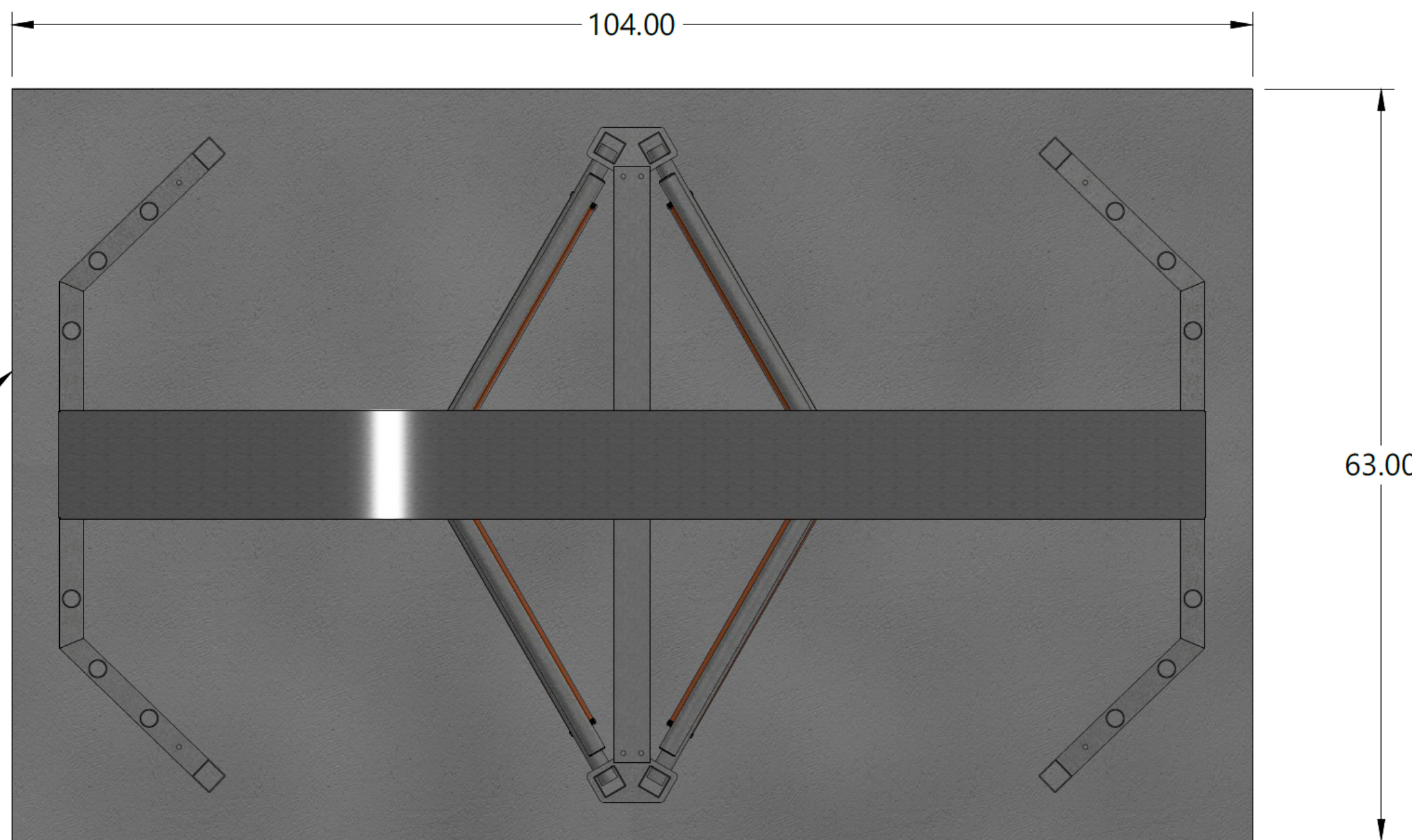
4

FIRST DRAWN	BY
08-06-24	THJV
REVISED	BY

COPYRIGHT © TURNSTILES.US
 Copyright © Turnstiles.us All rights reserved. Reproduction or translation of this work without the express written permission of TURNSTILES.us is unlawful and is an infringement of intellectual property belonging to TURNSTILES.us. All drawings and/or designs are restricted for use exclusively with a purchase, installation, and/or support from Turnstiles.us. Any other use of these materials is a violation of copyright law. Request for additional information should be addressed to the Legal Department, Turnstiles.us.



4.0 min thick concrete pad



Concrete pad must be level

Unless otherwise specified, all dimensions are in inches.

.XXX +/- .005
 .XX +/- .010
 .X +/- .03
 Surface finish 125 RMS Max
 Break all edges & sharp corners

TURNSTILES.US

HT HAYWARD
 TURNSTILES, INC.

JOINT VENTURE

Equipment Location Detail	
HT431T Tandem Turnstile Concrete Pad Mounting Dimension Details	
DRAWING:	
HT431T Tandem Turnstile Concrete Pad Mounting Dimension Details	
DATE:	08-06-24
PAGE:	1 OF 1