

1

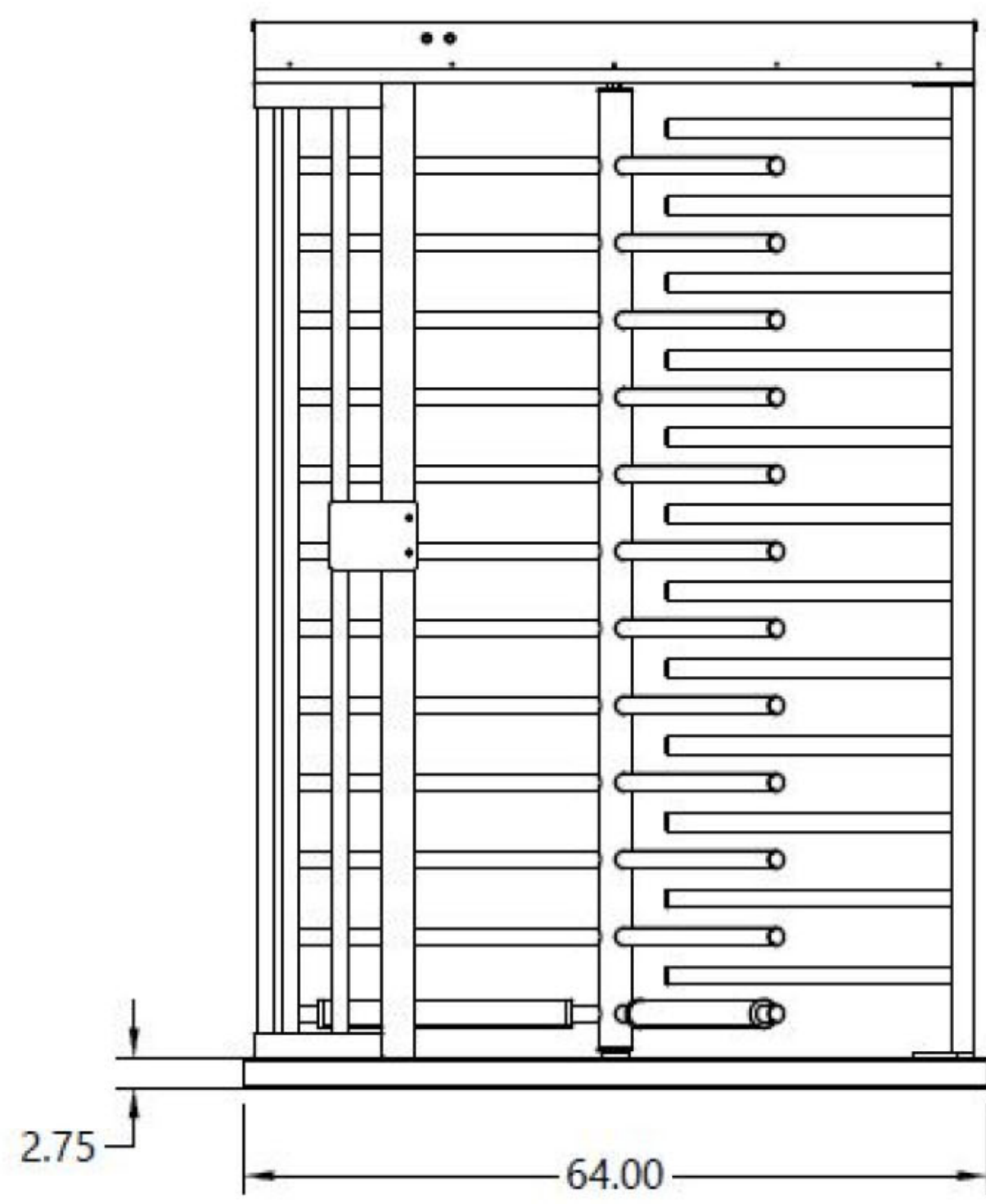
2

3

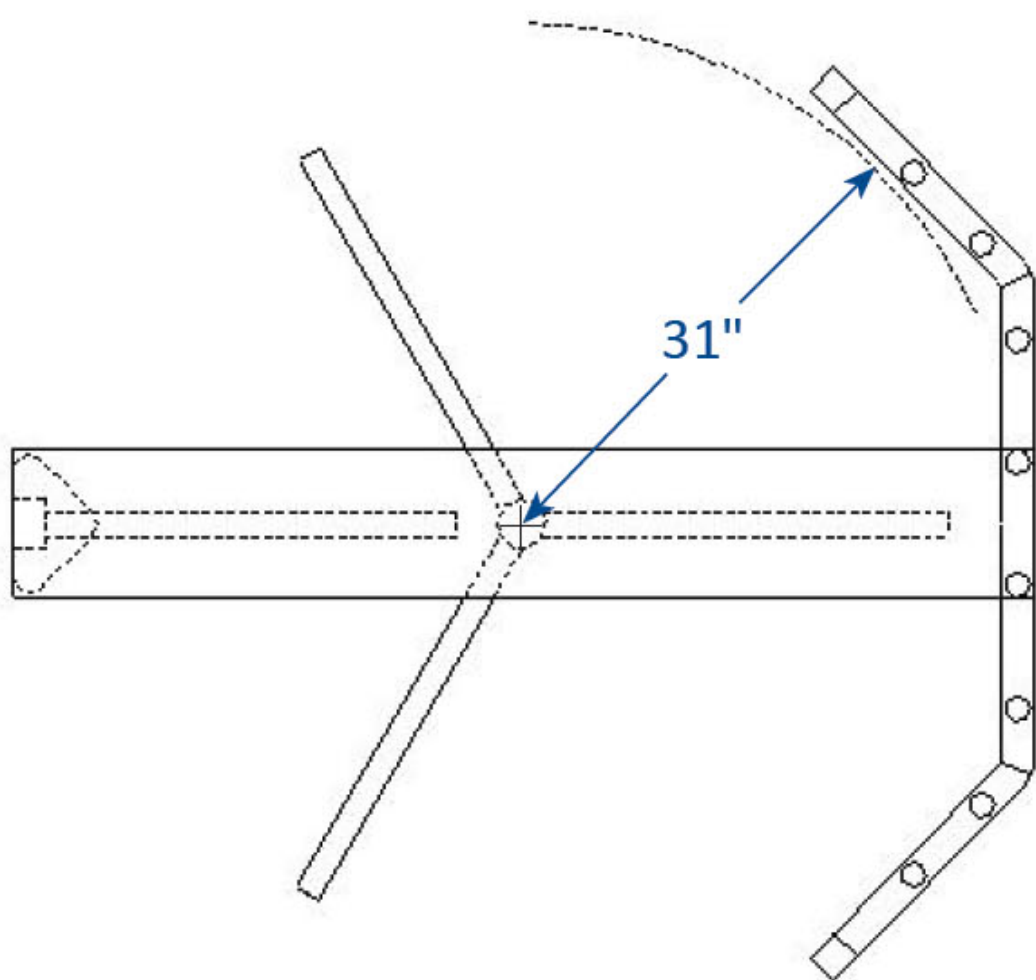
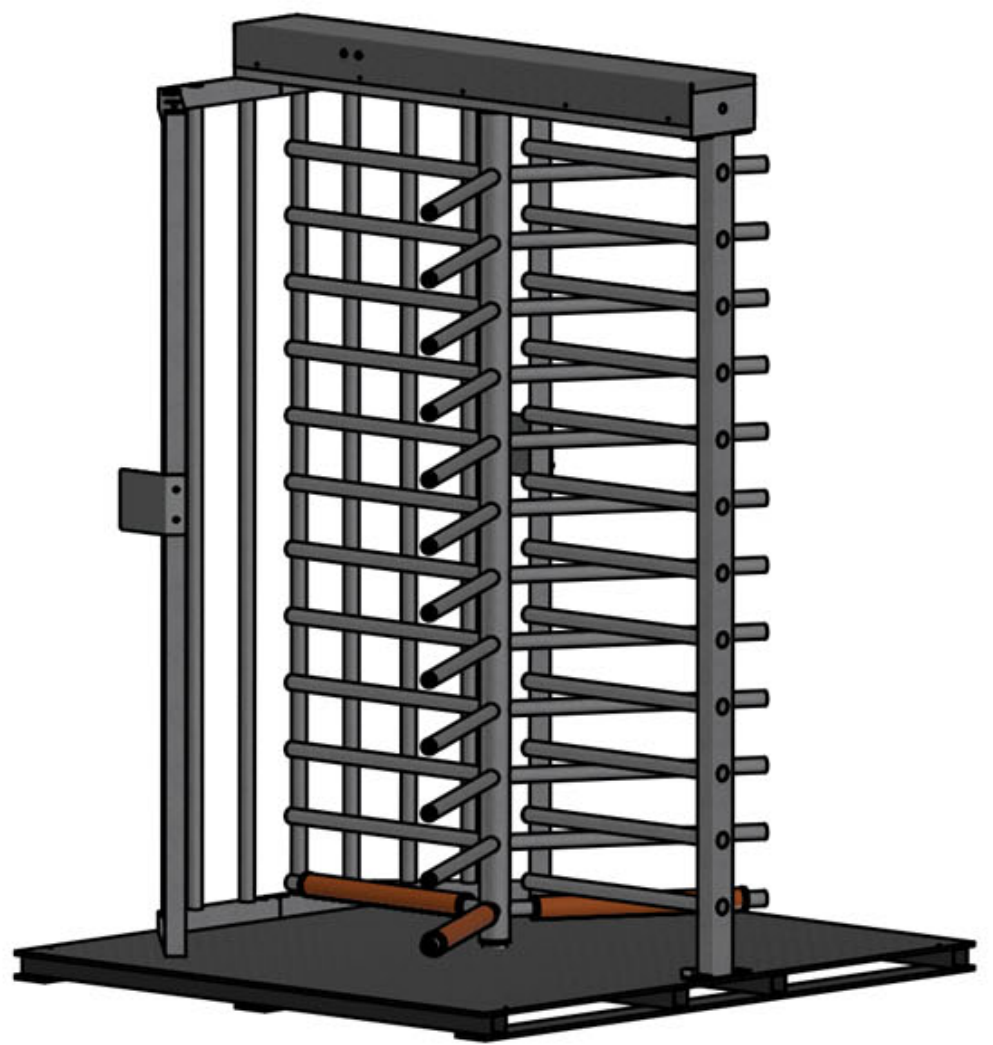
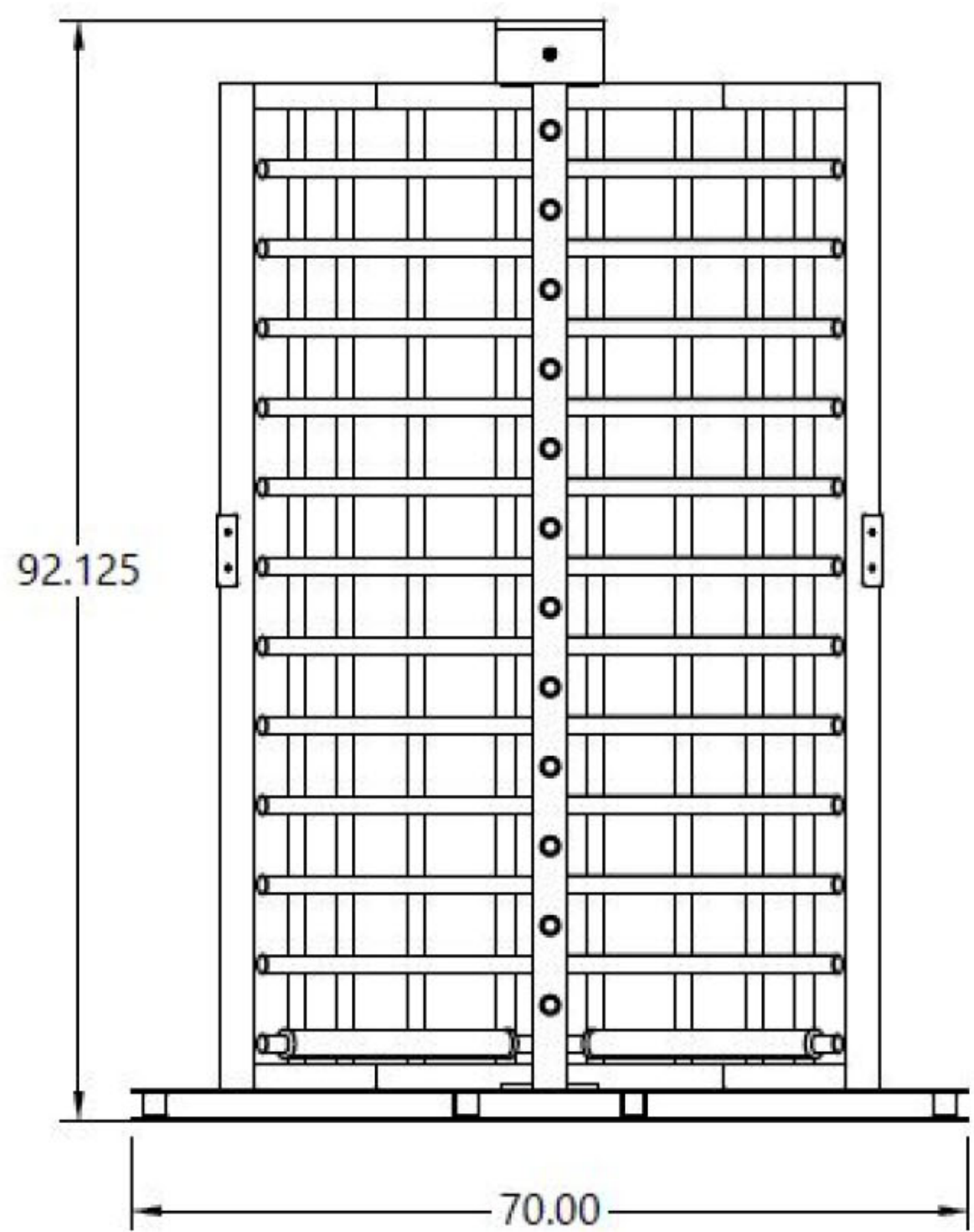
4

# HT431P Dimensions

### Front View



### Side View



FIRST DRAWN	BY
07-16-24	THJV
REVISED	BY

**COPYRIGHT © TURNSTILES.US**  
 Copyright © Turnstiles.us All rights reserved. Reproduction or translation of this work without the express written permission of TURNSTILES.US is unlawful and is an infringement of intellectual property belonging to TURNSTILES.US.  
 All drawings and/or designs are restricted for use exclusively with a purchase, installation, and/or support from Turnstiles.us. Any other use of these materials is a violation of copyright law. Request for additional information should be addressed to the Legal Department, Turnstiles.us.

**TURNSTILES.US**

**FH HAYWARD**  
TURNSTILES, INC.

**JOINT VENTURE**

Equipment Location Detail	
HT431P Portable Single Turnstile Equipment Dimension Details	
DRAWING:	
HT431P Portable Single Turnstile Equipment Dimension Details	
DATE:	07-16-24
PAGE:	1 OF 1

D

D

C

C

B

B

A

A

1

2

3

4