



JOINT VENTURE

HT431 Full Height Turnstile

Complete Dimensions and Mounting Information

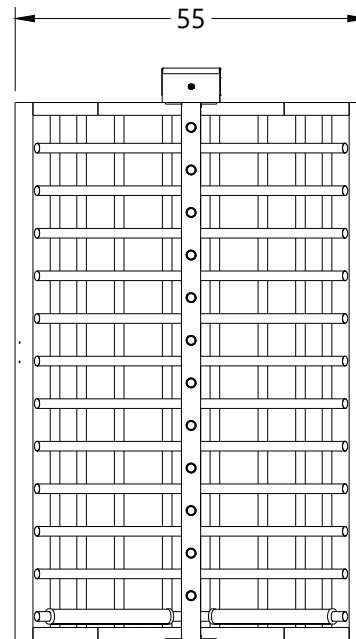
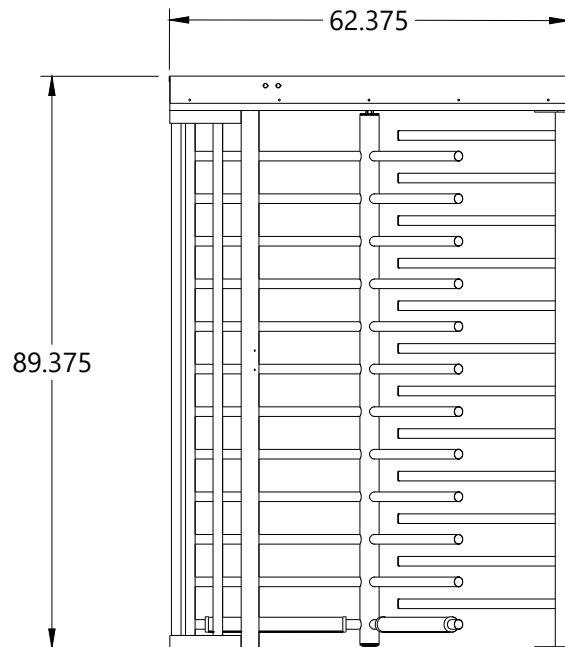
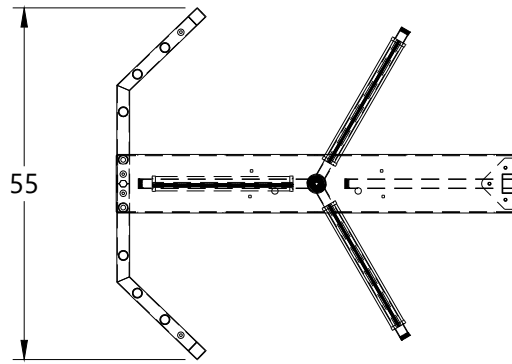




REVISIONS

ZONE	REV	DESCRIPTION	DATE	APPROVED
------	-----	-------------	------	----------

HT431 Galvanized



Unless otherwise specified, all dimensions are in inches.

.XXX +/- .005

.XX +/- .010

.X +/- .03

Surface finish 125 RMS Max

Break all edges & sharp corners

This drawing is the property of Hayward Turnstiles, Inc., and contains proprietary information. It may not be copied, reproduced or transmitted in any manner to a third party without prior written permission from Hayward Turnstiles, Inc.

HAYWARD TURNSTILES, INC.

TITLE

HT431 Full Height Turnstile (galv)

Material: Steel

Finish: Galvanized

Drawn: MM-1/15/22

SIZE

A

CODE

DWG NO

HT431-GV

REV

SCALE

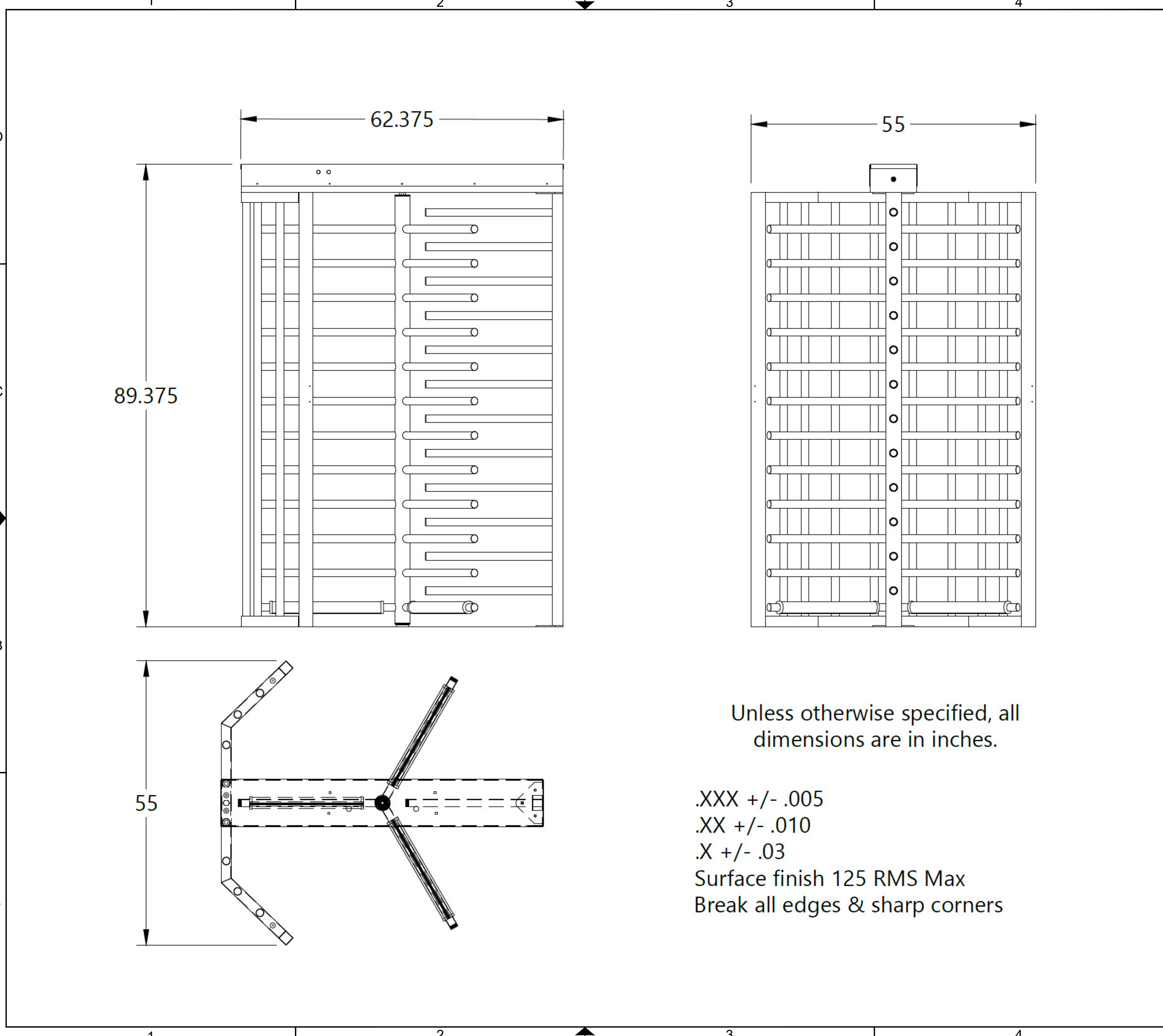
1:25

WEIGHT

SHEET

1/1





FIRST DRAWN	BY
07-16-24	THJV
REVISED	BY

COPYRIGHT © TURNSTILES.US
 Copyright © Turnstiles.us All rights reserved. Reproduction or translation of this work without the express written permission of TURNSTILES.US is unlawful and is an infringement of intellectual property belonging to TURNSTILES.US.
 All drawings and/or designs are restricted for use exclusively with a purchase, installation, and/or support from Turnstiles.us. Any other use of these materials is a violation of copyright law. Request for additional information should be addressed to the Legal Department, Turnstiles.us.

TURNSTILES.US

HT HAYWARD
 TURNSTILES, INC.

JOINT VENTURE

Unless otherwise specified, all dimensions are in inches.

.XXX +/- .005
 .XX +/- .010
 .X +/- .03
 Surface finish 125 RMS Max
 Break all edges & sharp corners

Equipment Location Detail	
HT431 Series Single Turnstile Dimensions	
DRAWING: HT431 Series Single Turnstile Dimensions	
DATE:	07-16-24
PAGE:	1 OF 1

1

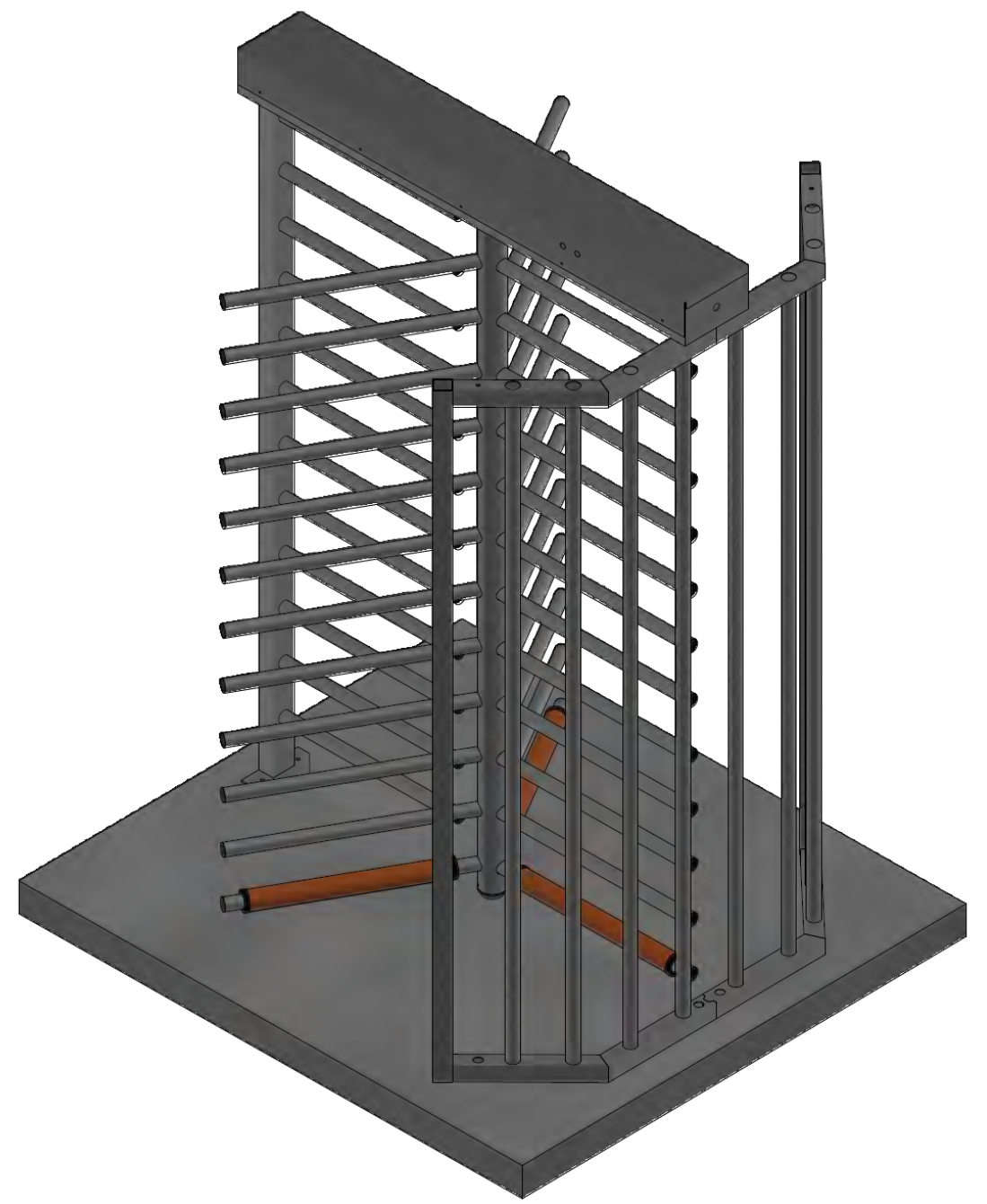
2

3

4

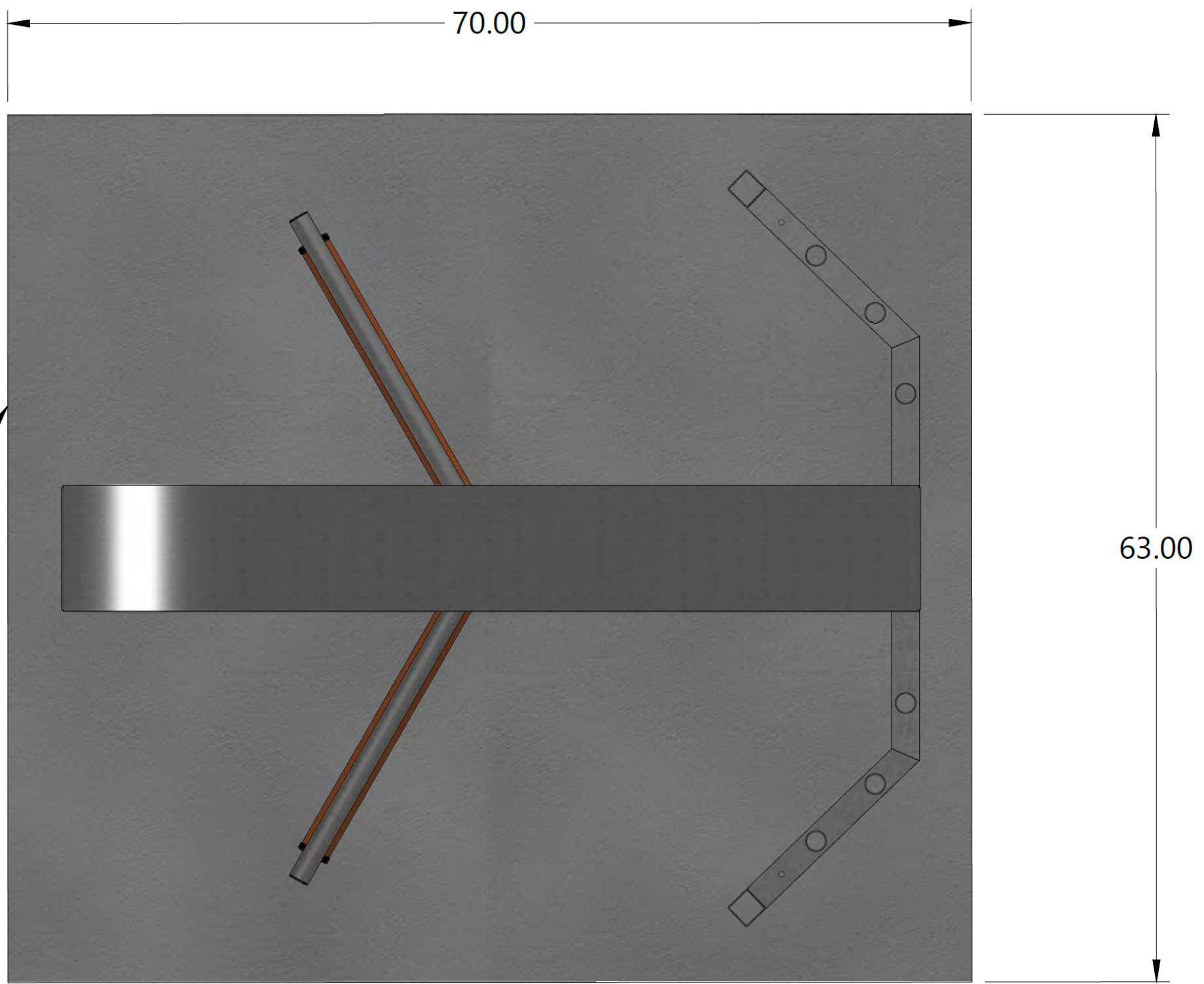
FIRST DRAWN	BY
07-16-24	THJV
REVISED	BY

COPYRIGHT © TURNSTILES.US
 Copyright © Turnstiles.us All rights reserved. Reproduction or translation of this work without the express written permission of TURNSTILES.US is unlawful and is an infringement of intellectual property belonging to TURNSTILES.US.
 All drawings and/or designs are restricted for use exclusively with a purchase, installation, and/or support from Turnstiles.us. Any other use of these materials is a violation of copyright law. Request for additional information should be addressed to the Legal Department, Turnstiles.us.



4.0 min thick
concrete pad

Concrete pad must be level



TURNSTILES.US

HT HAYWARD
TURNSTILES, INC.

JOINT VENTURE

Equipment Location Detail	
HT431 Series Single Turnstile Concrete Pad	
DRAWING:	
HT431 Series Single Turnstile Concrete Pad	
DATE:	07-16-24
PAGE:	1 OF 1

D

D

C

C

B

B

A

A

1

2

3

4

1

2

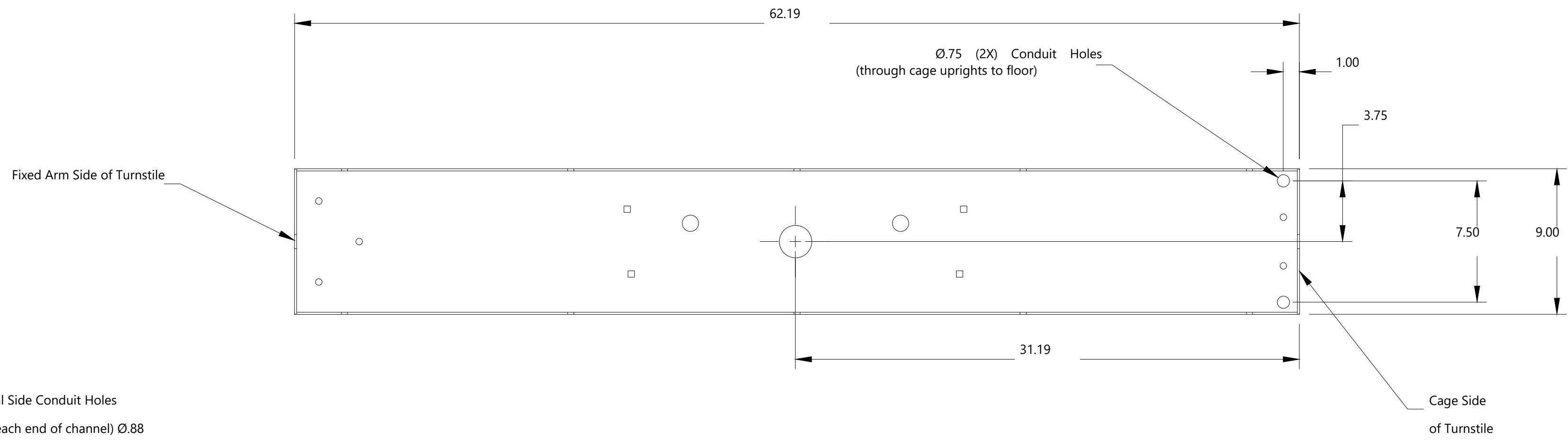
3

4

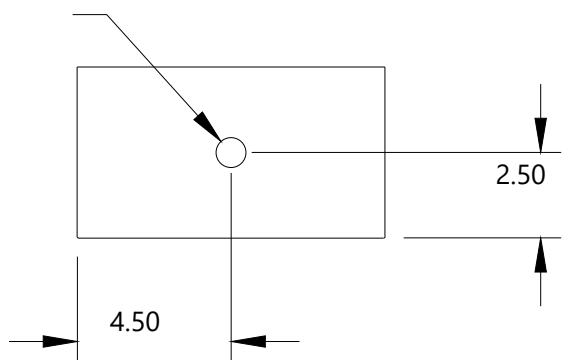
FIRST DRAWN	BY
07-16-24	THJV
REVISED	BY

COPYRIGHT © TURNSTILES.US
 Copyright © Turnstiles.us All rights reserved. Reproduction or translation of this work without the express written permission of TURNSTILES.US is unlawful and is an infringement of intellectual property belonging to TURNSTILES.US.
 All drawings and/or designs are restricted for use exclusively with a purchase, installation, and/or support from Turnstiles.us. Any other use of these materials is a violation of copyright law. Request for additional information should be addressed to the Legal Department, Turnstiles.us.

WIRING NOTES: Do not run low voltage and high voltage in the same conduit. Be sure to bond the turnstile according to local code. Every installation is different so the HT431 was designed to accommodate many different wiring configurations. Wiring can be run from the floor up through any of the cage section uprights and into the top channel. Additionally, wiring can be run from a wall directly into the top channel at either end.



Optional Side Conduit Holes
 (each end of channel) Ø.88



Unless otherwise specified, all dimensions are in inches.

TURNSTILES.US

FH HAYWARD
 TURNSTILES, INC.

JOINT VENTURE

Equipment Location Detail	
HT431 Series Single Turnstile - Conduit Location Detail - Mounting Hole Dimensions	
DRAWING:	
HT431 Series Single Turnstile - Conduit Hole Detail - Dimensions	
DATE:	07-16-24
PAGE:	1 OF 1

D

D

C

C

B

B

A

A

1

2

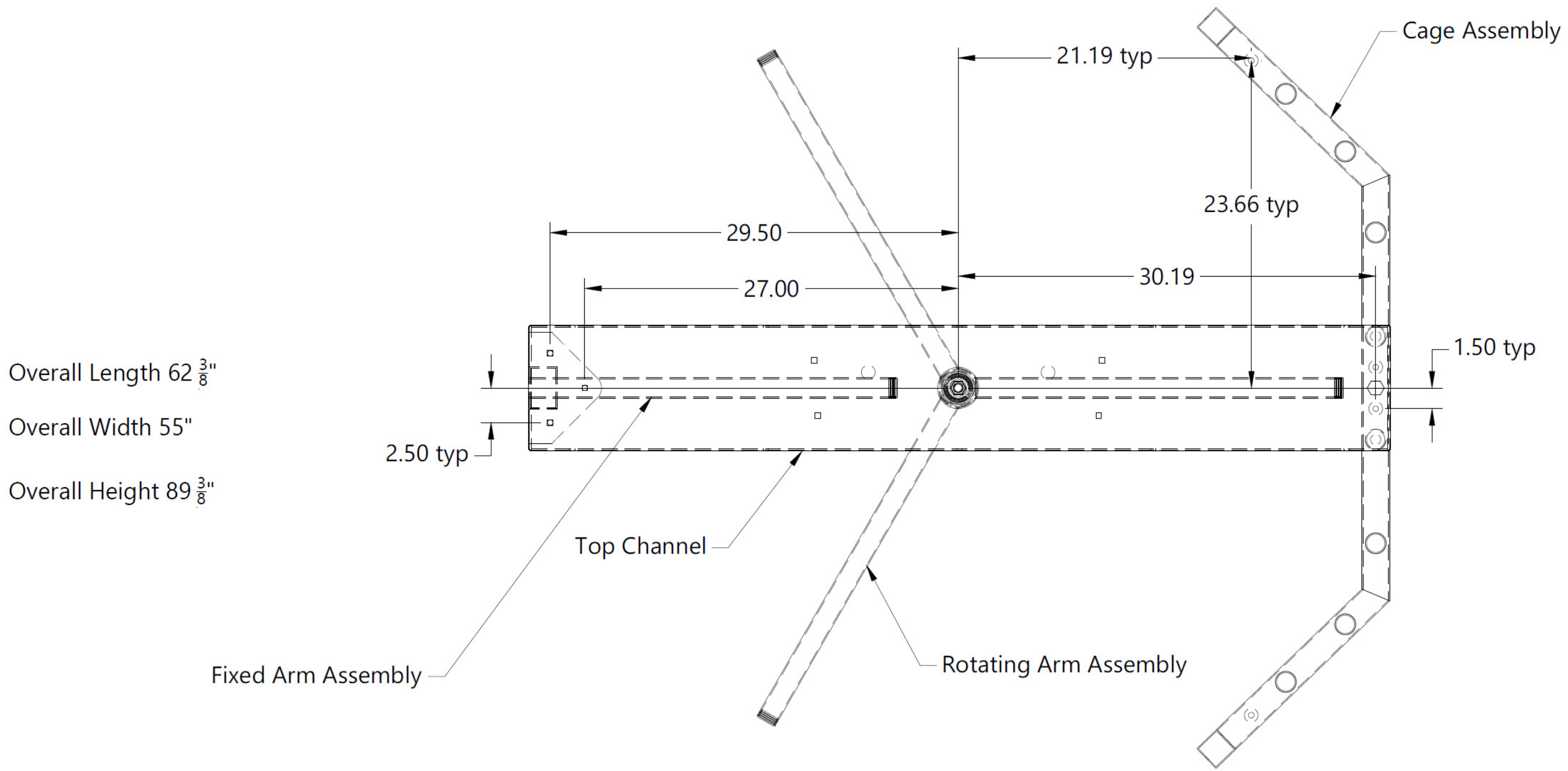
3

4

All measurements are referenced from the center of the rotating arm assembly.

A total of 8 holes need to be drilled in the floor to mount the turnstile (3 for the fixed arm assembly, 1 for the rotating arm bearing & 4 for the cage assembly).

Hint: you can lay the top channel on the ground where you want the turnstile (be sure the orientation is correct). Use a magic marker to trace 6 of the 8 hole locations. The last 2 can either be measured or each cage can be used as a template.



Overall Length $62 \frac{3}{8}$ "
 Overall Width 55"
 Overall Height $89 \frac{3}{8}$ "

FIRST DRAWN	BY
07-16-24	THJV
REVISED	BY

COPYRIGHT © TURNSTILES.US
 Copyright © Turnstiles.us All rights reserved. Reproduction or translation of this work without the express written permission of TURNSTILES.US is unlawful and is an infringement of intellectual property belonging to TURNSTILES.US.
 All drawings and/or designs are restricted for use exclusively with a purchase, installation, and/or support from Turnstiles.us. Any other use of these materials is a violation of copyright law. Request for additional information should be addressed to the Legal Department, Turnstiles.us.

TURNSTILES.US

HAYWARD
TURNSTILES, INC.

JOINT
VENTURE

Equipment Location Detail	
HT431 Series Single Turnstile Mounting Hole Locations	
DRAWING:	
HT431 Series Single Turnstile Mounting Hole Locations	
DATE:	07-16-24
PAGE:	1 OF 1