

HT431PC Portable Canopy Full Height Single Turnstile

JOINT VENTURE



SecureTurn HT431PC Portable with Canopy

Shown with included FREE Safety Sleeve Heel Pack (3 Sleeves).

Game Changing Portable Full Height Turnstile:

Our HT431P changes the portable full height turnstile game by offering all the portable functionality you need with none of the extraneous features you don't. Gone are the days of having to pay exorbitant amounts for a turnstile inside of a bulky shipping container or intricate exoskeleton when all you need is a turnstile that you don't need to bolt into the ground. Our HT431PC trims the fat by simply placing a HT431 full height turnstile on a forklift compatible baseplate, while retaining a canopy rain cover. These material savings get passed along to you in the form of our HT431P: the world's most affordable portable full height turnstile.

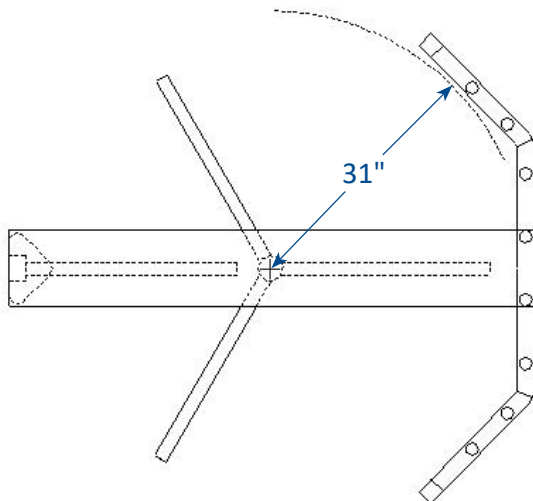
Materials and finishes available in:

- Hot Dip Galvanized Steel
- Powder Coat over Steel
- Powder Coat over Galvanized



Optional Padded Safety Sleeves:

Safety Sleeves are the perfect addition to your full height turnstile. Simply zip them onto your turnstile's arms to prevent injuries, enhance usability, and insulate turnstile arms from extreme temperatures that may be harmful to your turnstile's users.



See page 2 for detailed dimensions.



Need Security Management Software?

The TURNSTILES.us - Hayward Joint Venture offers integration with EntraPASS Access Control Software, a robust program capable of live monitoring and reporting. Add access hardware like card, code, or fingerprint readers. Photo ID Badge printing kits allow you to print color ID cards. This and more are all available from TURNSTILES.us - Hayward.

Applications:

Our HT431P portable full height turnstile is a great solution for any situation where directly bolting your turnstile into a concrete pad is not possible or preferable. Oftentimes, job site restrictions or limitations make it impossible or extremely costly to pour a level concrete pad. Our HT431P's included baseplate makes it so you don't need a mounting surface to enjoy the enhanced security of a full height turnstile. HT431P is commonly used for applications where you know your turnstile will have to be moved regularly to adapt to changing traffic flows and security needs. Since the HT431P comes with a convenient forklift baseplate, moving your turnstile is as simple as firing up your forklift.

Materials and finishes in your choice of:

- Hot dipped galvanized steel
- Powder coat over steel (custom colors available)
- Powder coat over galvanized (custom colors available)

Design & Construction:

- Forklift-movable low profile baseplate
- Tamper proof, rugged design
- Configurable for right or left handed entry direction
- Fully welded exterior components
- 3 free safety sleeves with every HT431P purchased

Turnstile Operation:

- Self centering mechanism with hydraulic shock suppression
- Permanently lubricated bearings

- Clockwise, counter clockwise, or bidirectional passage

Options:

- Ships assembled from the factory
- Electronic locking module featuring heavy-duty 24 VDC solenoids that can integrate with virtually all access control software and hardware via a momentary dry contact
- Choice of fail safe (*unlock on power loss*) or fail secure (*lock on power loss*) for electric units only
- Card reader mounting plates (*electric units only*)
- Key override for electric or manual units (*both directions*)
- Red and green indicator lights (*electric units only*)
- Safety Sleeves (*Safety Orange or Steel Gray*)
- Heavy-duty lock bar (*included HD padlock and key*)
- SS Full canopy to prevent climb over and provide shelter
- Additional options available upon request

Electrical Specifications:

Power supply input 100-240VAC (.7 amp) 50/60hz output 24VDC (1.1 amp) All components UL recognized

Warranty:

Units are warranted against defects in materials and workmanship for a period of one year from date of delivery. See warranty information for specific details.

