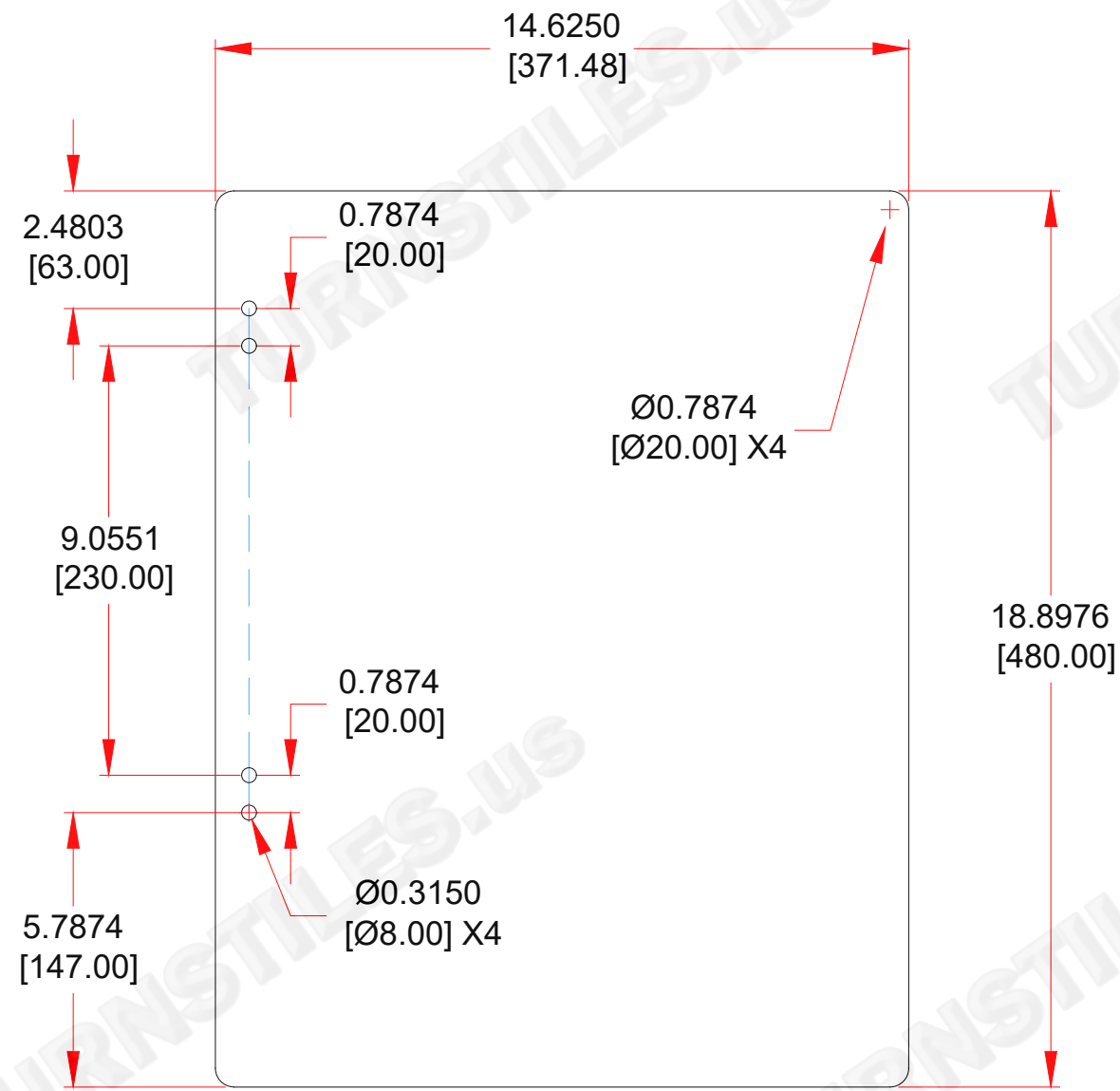
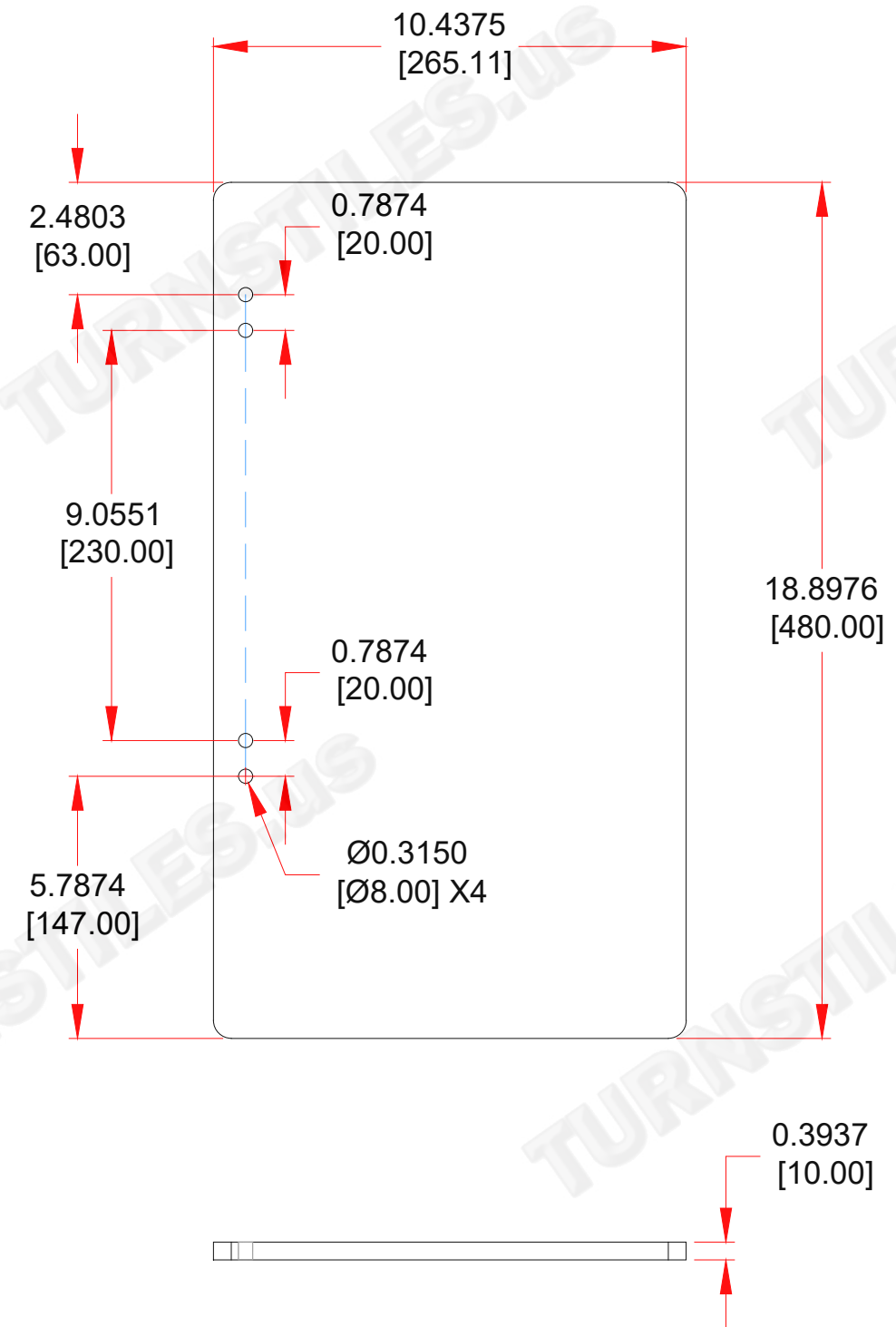


CUSTOM GLASS PANEL FOR ADA PASSAGE WIDTH



QUANTITY X 4

CUSTOM GLASS PANEL FOR STND. PASSAGE WIDTH



QUANTITY X 4

FIRST DRAWN	BY
11-26-24	CJC
REVISED	BY
COPYRIGHT © TURNSTILES.US	
<small>Copyright © Turnstiles.us All rights reserved. Reproduction or translation of this work without the express written permission of TURNSTILES.US is unlawful and is an infringement of intellectual property belonging to TURNSTILES.US. All drawings and/or designs are restricted for use exclusively with a purchase, installation, and/or support from Turnstiles.us. Any other use of these materials is a violation of copyright law. Request for additional information should be addressed to the Legal Department, Turnstiles.us.</small>	

TURNSTILES.US
 SECURING THE USA and the GLOBE since 1989
 www.TURNSTILES.us
 Call: 303-670-1099 | Text: 303-918-9787
 patrick.mcallister@turnstiles.us

GLASS PANEL DIMENSIONS	
FLORIDA ATLANTIC UNIVERSITY OTSG9000 OPTICAL TURNSTILE CUSTOM GLASS PANELS	
DRAWING:	
FLORIDA ATLANTIC UNIVERSITY - OTSG9000 CUSTOM GLASS PANEL DIMENSIONS - DET	
DATE:	11-26-24
PAGE:	1 OF 2

1

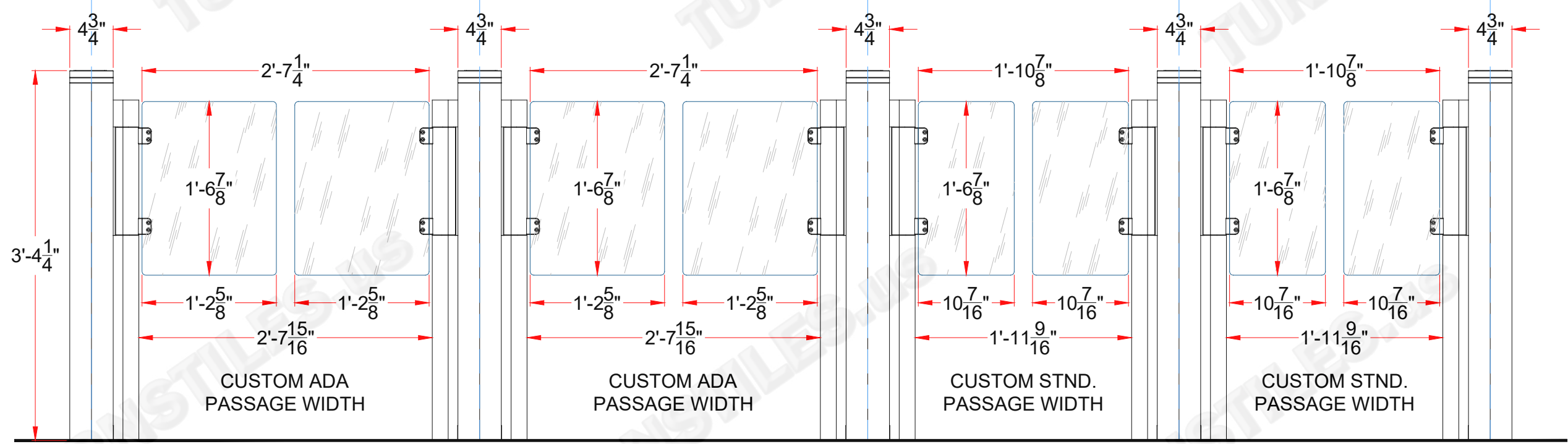
2

3

4

D

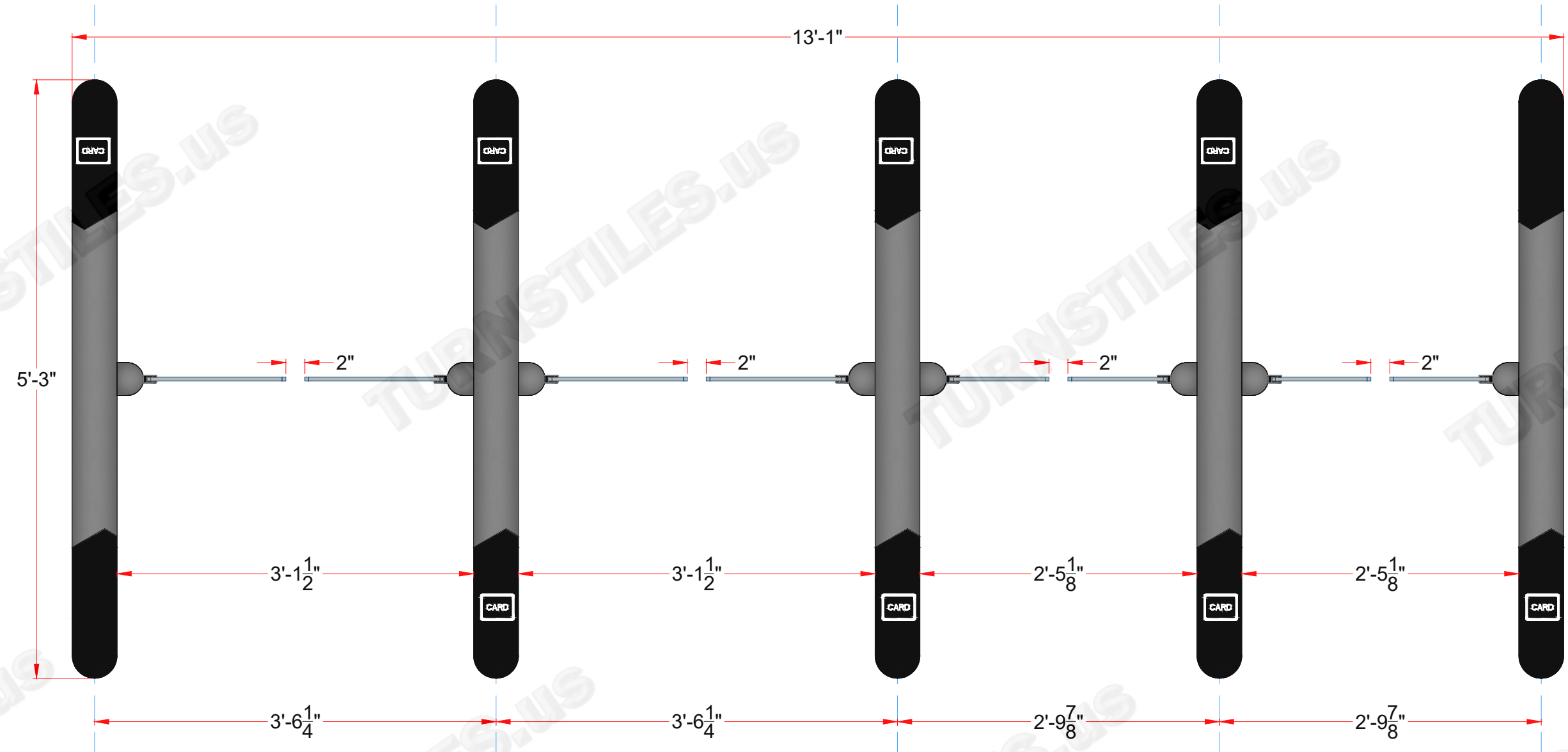
D



ELEVATION

C

C



FOOTPRINT

B

B

A

A

FIRST DRAWN	BY
11-26-24	CJC
REVISED	BY
COPYRIGHT © TURNSTILES.US Copyright © Turnstiles.us All rights reserved. Reproduction or translation of this work without the express written permission of TURNSTILES.US is unlawful and is an infringement of intellectual property belonging to TURNSTILES.US. All drawings and/or designs are restricted for use exclusively with a purchase, installation, and/or support from Turnstiles.us. Any other use of these materials is a violation of copyright law. Request for additional information should be addressed to the Legal Department, Turnstiles.us.	

TURNSTILES.US
 SECURING THE USA and the GLOBE since 1989
 www.TURNSTILES.US
 Call: 303-670-1099 | Text: 303-918-9787
 patrick.mcallister@turnstiles.us

EQUIPMENT DETAIL	
FLORIDA ATLANTIC UNIVERSITY OTSG9000 OPTICAL TURNSTILE CUSTOM GLASS PANELS	
DRAWING:	
FLORIDA ATLANTIC UNIVERSITY - OTSG9000 CUSTOM GLASS PANEL DIMENSIONS - DET	
DATE:	11-26-24
PAGE:	2 OF 2