



KT-4 Wi-Fi Module Installation Guide

Building Technologies & Solutions
2024-03-19

A16381LJ08
Rev A

Contents

Safety instructions.....	5
Introduction.....	5
Box contents.....	5
Technical specifications.....	6
Installing the Wi-Fi module.....	6
Technical support.....	8
United States and Canada.....	8
Latin America and Caribbean.....	9
Europe, Middle East, and Africa.....	9
Asia Pacific.....	10
Compliance specifications.....	10
United States.....	10
Canada.....	11
European Union.....	11
Australia and New Zealand.....	11
End-User License Agreement.....	11
Copyright.....	11

Safety instructions

► **Important:** Never install the equipment during a lightning storm.

This equipment, Wi-Fi module for the KT-4 four-door controller, shall be installed and used within an environment that provides the pollution degree max 2 and over voltages category II non-hazardous locations, indoor only. The equipment is fixed and permanently connected and is designed to be installed by Service Persons only;

Service person is defined as a person having the appropriate technical training and experience necessary to be aware of hazards to which that person may be exposed in performing a task and of measures to minimize the risks to that person or other persons. The equipment is installed in a metallic cabinet that meets the applicable requirements for a fire enclosure.

1. Avoid setting up the equipment near heaters, air conditioners, ventilators, and/or refrigerators; DO NOT select a place that exposes the equipment to direct sunlight, excessive heat, moisture, vapors, chemicals or dust.
2. If during the installation a knockout on the cabinet that is used to install the equipment is removed, it is the installer's responsibility to ensure that the same degree of protection for the cabinet is provided by the use of bushings, fittings, adequate sealant, etc.
3. The metallic cabinet must be secured to the building structure before operation. Use four (4) stainless steel tapping screws #8, 32 mm (1.25 in.) to mount the cabinet.
4. The ground connection must be as shown within the included diagram, or equivalent. The cabinet that is used to install the equipment must have an appropriate ground connection.
5. Internal wiring must be routed in a manner that prevents the following conditions:
 - Excessive strain on wire and on terminal connections
 - Loosening of terminal or connection
 - Damage of conductor insulation
 - Reducing the clearance between SELV (Safety Extra Low Voltage) circuits and NON-POWER Limited Circuits (Battery wires)
 - Route the battery wires away from the rest of the SELV circuit
6. It is the end-user and/or installer's responsibility to ensure that the disposal of the used batteries is made according to the waste recovery and recycling regulations applicable to the intended market.
7. There are no serviceable parts within the equipment. For any issues regarding the equipment please contact your installer.
8. Disconnect power before servicing.

Introduction

The KT-4-MOD-WIFI is a Wi-Fi module supports the use of Wi-Fi 802.1a/b/g/n/ac and BT functionalities to the KT-4 four-door controller at communication speeds up to 866 Mbps. Use this document for instructions on installing the KT-4-MOD-WIFI module only. For more information on initial Wi-Fi configuration, refer to the *KT-4 Four-Door Controller Installation Guide*.

Box contents

When you open the product box, check that it contains the following items:

- One KT-4-MOD-WIFI module
- One *KT-4 Wi-Fi Module Installation Guide*
- One M2.5 pan head machine screw

- One 2.5 GHz and 5 GHz dual band antenna
 - One Kantech screwdriver
 - One antenna mounting grommet
- ⓘ **Note:** Avoid metallic surfaces near the antenna location.

Technical specifications

The following table lists the technical specifications of the KT-4-MOD-WIFI module.

Table 1: Technical specifications

Type	Description
Dimensions (H x W x D)	22 x 30 x 3.3 mm (0.87 x 1.18 x 0.12 in.)
Operating temperature	For UL listed installations: 0°C to 49°C (32°F to 120°F) indoor use only
Operating humidity	85% relative humidity non-condensing
Connector type	M.2 connector (2230 E-Key)
Data rate	Up to 866 Mbps
Encryption	WEP, TKIP, AES
Frequency	2.4 GHz to 2.95 GHz, 5.15 GHz to 5.835 GHz
Wireless specification	802.11 a/b/g/n/ac Wi-Fi, Bluetooth 5.1
Warranty	Limited lifetime

Table 2: UL 294 performance levels

Model	Destructive attack	Line security	Endurance	Standby power
KT-4-MOD-WIFI	Level I	Level I	Level IV	Level I

Installing the Wi-Fi module

About this task:

To install the KT-4-MOD-WIFI module onto the KT-4 controller, complete the following steps:

1. Remove the antenna double D knockout from the KT-4 controller cabinet, then in the empty hole, insert the antenna mounting grommet.
2. Reference [Figure 1](#) to ensure that the half-circle recess on the antenna mounting grommet is correctly oriented to the right.
3. Insert the antenna into the antenna mounting grommet.
4. Insert the U.FL antenna plug connector into the ANT0 U.FL receptacle on the left side of the Wi-Fi module.
5. As shown in [Figure 2](#), insert the Wi-Fi module into the M.2 connector and push the module flat onto the KT-4 controller cabinet.
6. Use the M2.5 pan head screw to secure the Wi-Fi module in place.

Figure 1: Installing the antenna mounting grommet and antenna

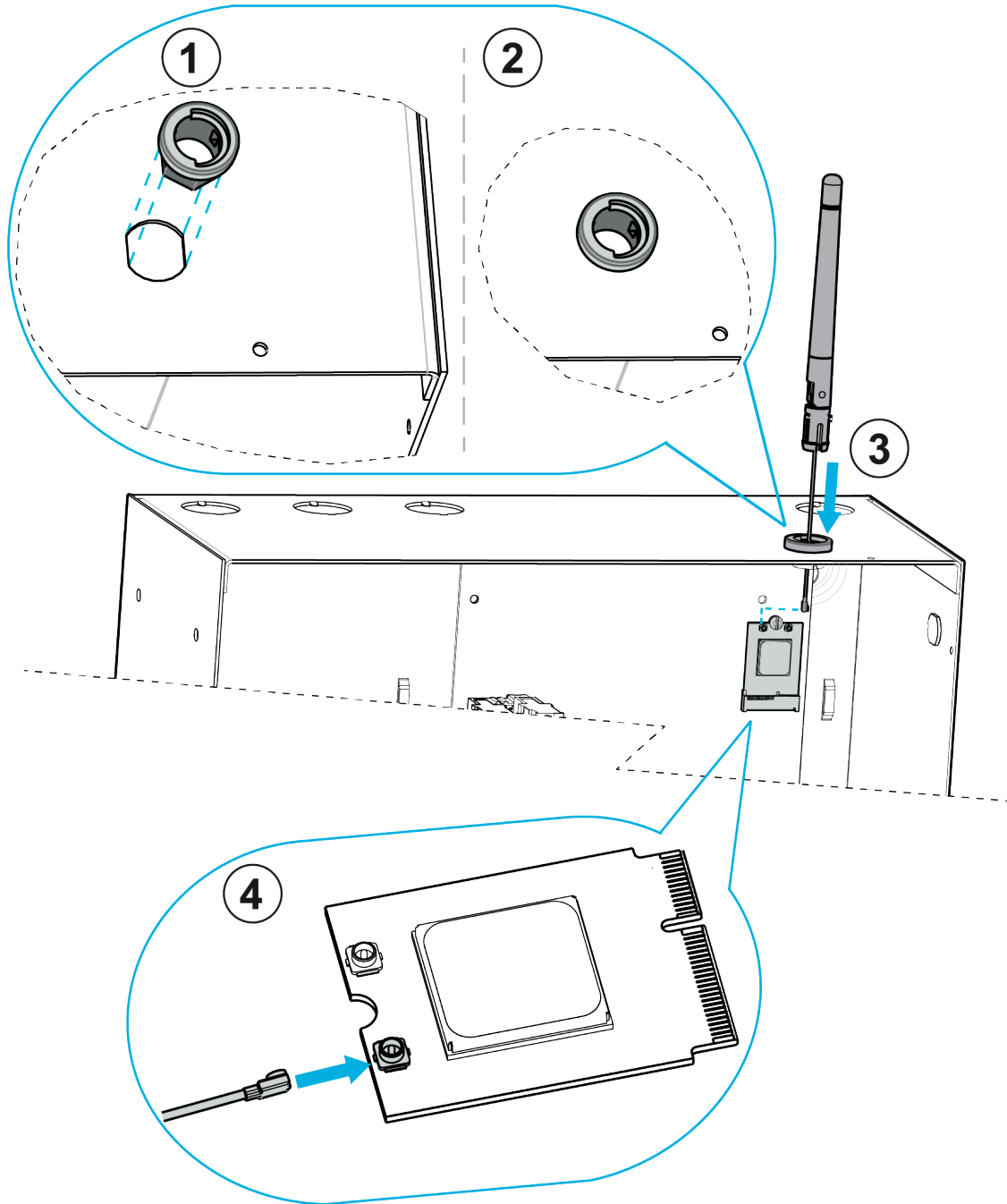


Figure 2: Installing the Wi-Fi module

