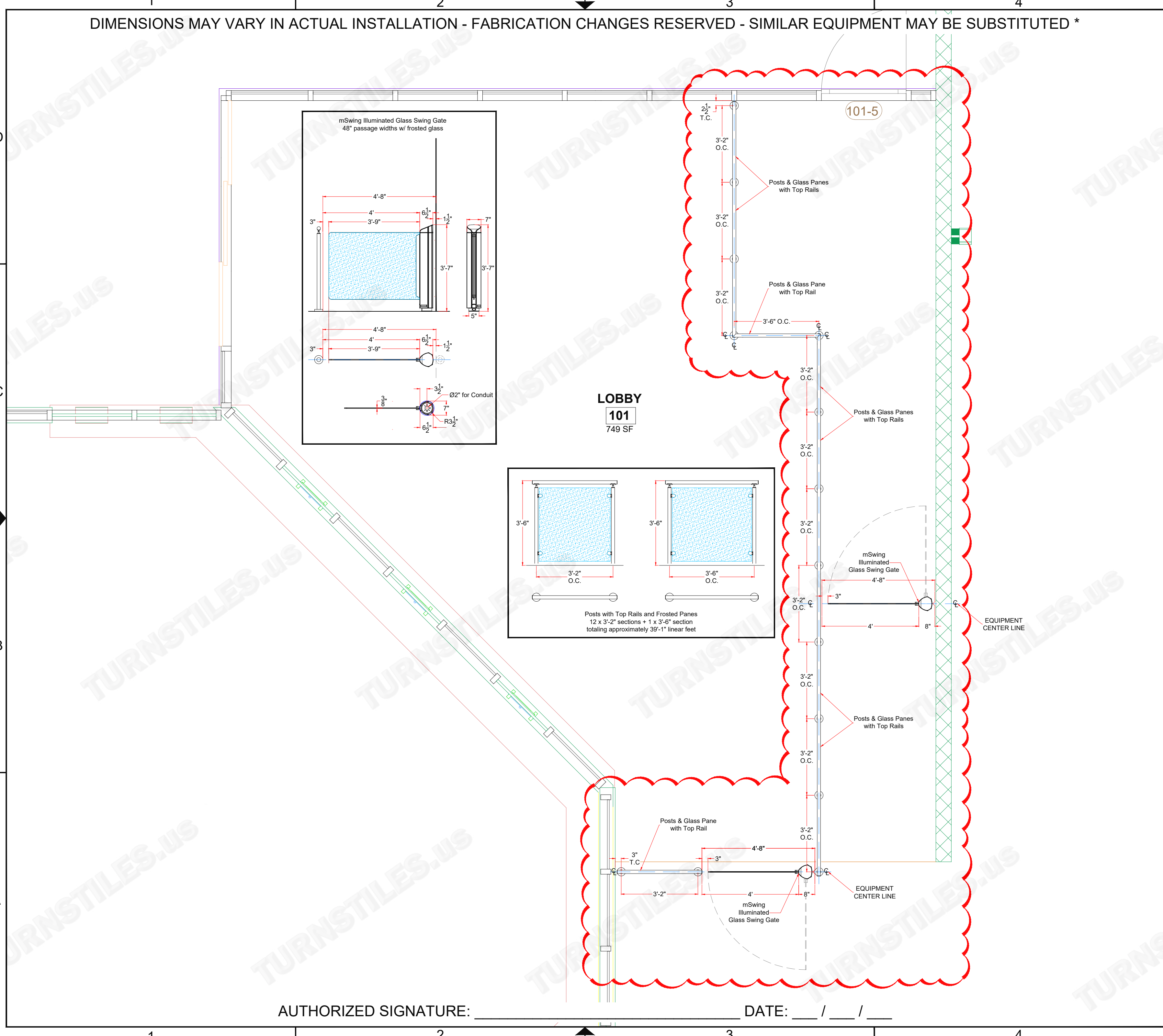


DIMENSIONS MAY VARY IN ACTUAL INSTALLATION - FABRICATION CHANGES RESERVED - SIMILAR EQUIPMENT MAY BE SUBSTITUTED *

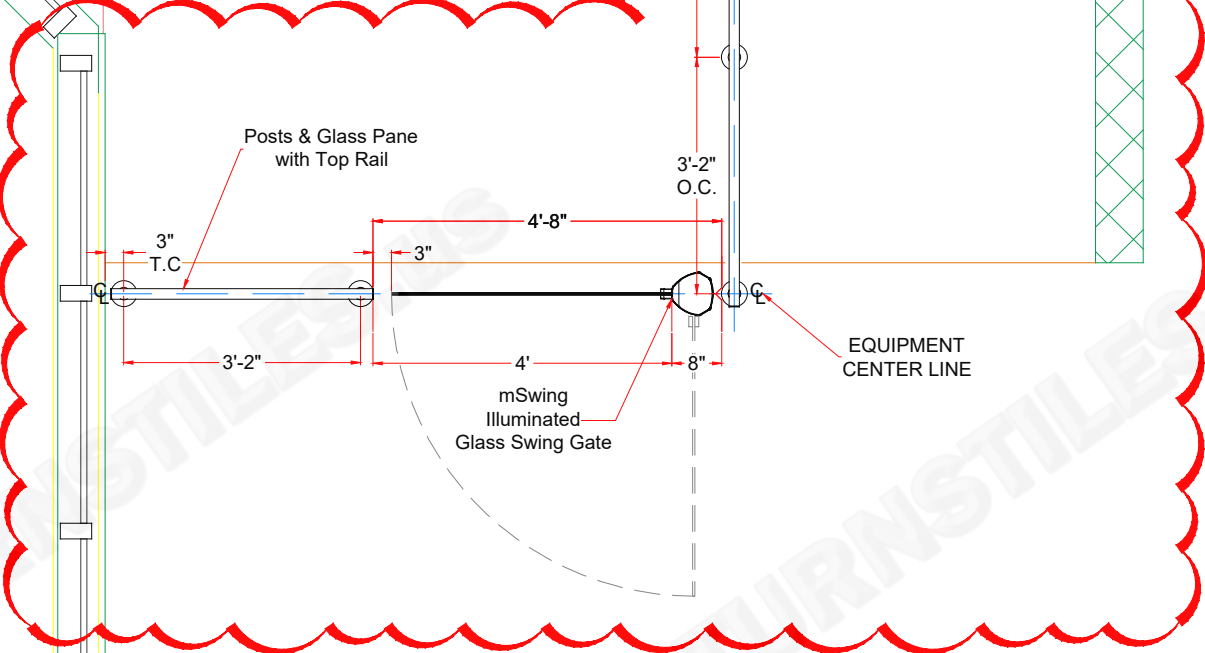
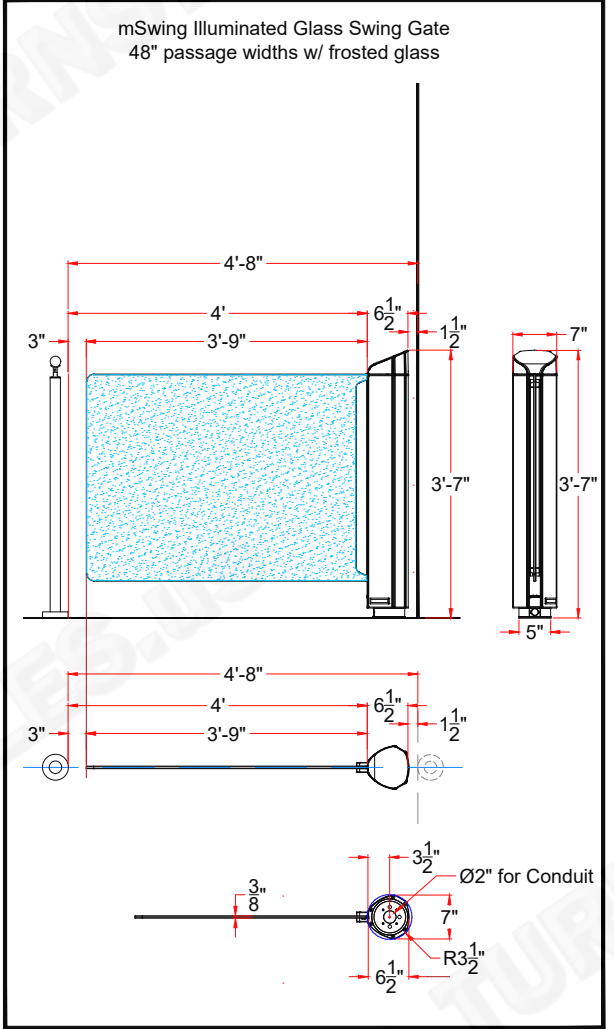
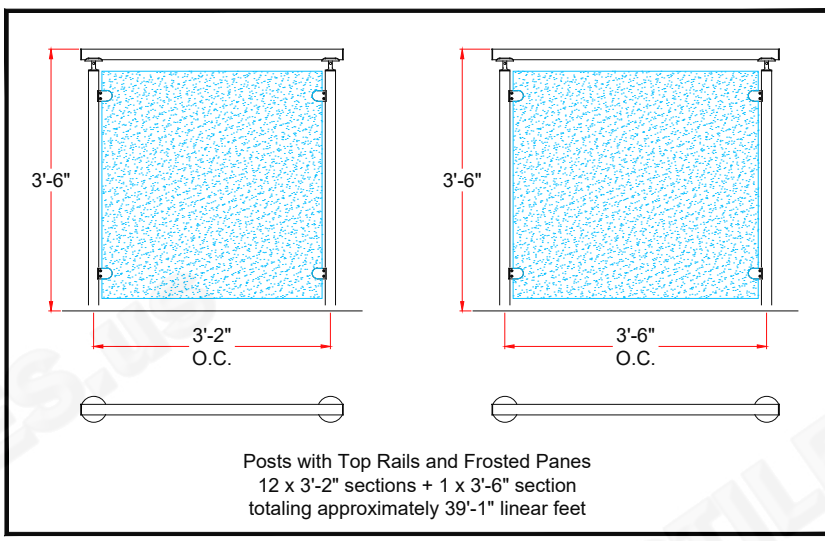
FIRST DRAWN	BY
09-06-24	CJC
REVISED	BY
09-20-24	CJC

COPYRIGHT © TURNSTILES.US
 Copyright © Turnstiles.us All rights reserved. Reproduction or translation of this work without the express written permission of TURNSTILES.US is unlawful and is an infringement of intellectual property belonging to TURNSTILES.US.
 All drawings and/or designs are restricted for use exclusively with a purchase, installation, and/or support from Turnstiles.us. Any other use of these materials is a violation of copyright law. Request for additional information should be addressed to the Legal Department, Turnstiles.us.

TURNSTILES.US
 SECURING THE USA and the GLOBE since 1989
 www.TURNSTILES.US
 Call: 303-670-1099 | Text: 303-918-9787
 patrick.mcallister@turnstiles.us



LOBBY
101
 749 SF



AUTHORIZED SIGNATURE: _____ DATE: ___ / ___ / ___

EQUIPMENT LOCATION DETAIL	
John Anson Ford Park Regional Aquatics Center Bell Gardens, CA 90201 mSwing Illuminated Swing Gates Posts and Glass with Top Rails	
DRAWING:	
JAFP Regional Aquatics Center mSwing - Posts & Glass w/ Top Rails ELD	
DATE:	09-20-24
PAGE:	1 OF 1