

SERIES 400

MEDIUM STILE ALUMINUM DOORS

For Moderate to Heavy Traffic

ENTRANCES



DOORS IN STOCK
READY TO GO!



- For 1/4 " or 1" (6 or 25 mm) Glazing
- Adjustable Weatherstrip Astragal at Meeting Stiles
- Accommodates Most Custom Hardware
- Standard 1" (25 mm) Diameter Solid Push/Pulls
- Exterior and Interior Applications
- Available for Center Hung, Offset Pivot, or Butt Hinge Applications
- Choice of Standard or A.D.A. Access Bottom Rails
- Clear Anodized and Bronze Anodized in Single or Pairs of Doors
- Custom Sizes, Finishes, and Options Available

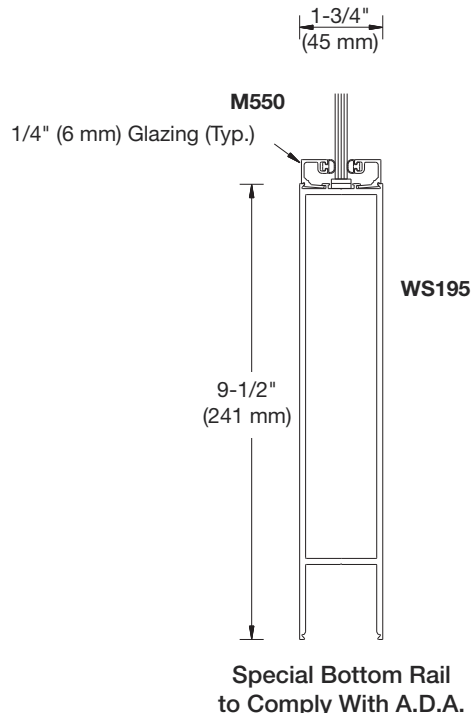
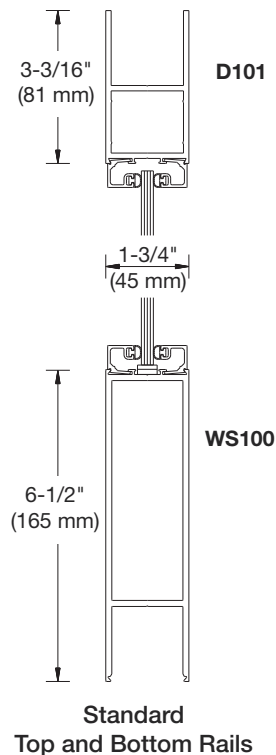
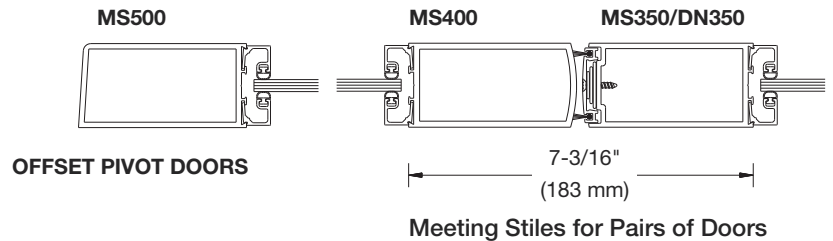
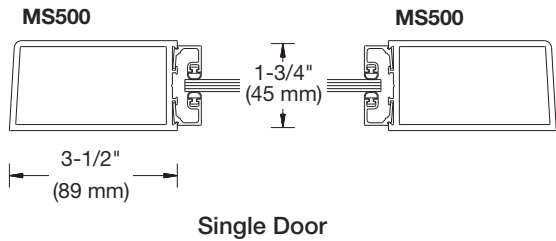
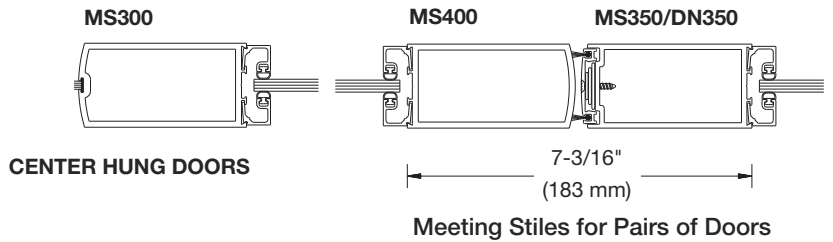
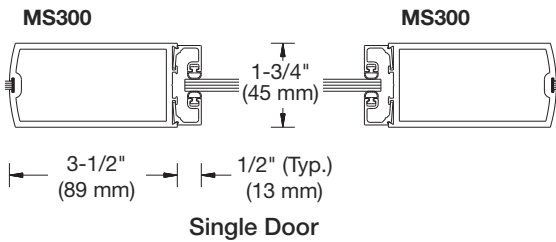
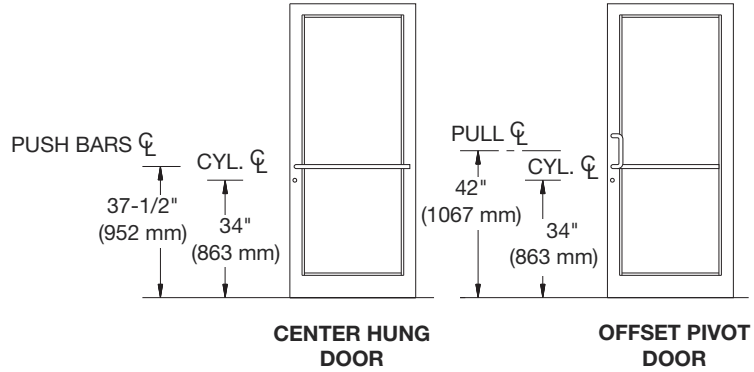


When you need a quality door in a hurry, for exterior and interior applications, both Clear Anodized and Bronze Anodized finishes are offered as single doors or in pairs in two versions: Offset Pivot and Butt Hinged. Continuous Geared Hinges are also available on special order.

These Doors include standard 3-1/2" (89 mm) Stiles, 3-3/16" (81 mm) Top Rails, and your choice of Standard 6-1/2" (165 mm) Bottom Rails or 9-1/2" (241 mm) A.D.A. Access Bottom Rails. Other standard features include a Push Bar, Offset Pull Handle, Panic Exit Devices (Select Models), Lock Cylinder, Glass Stops, and Glazing Gaskets. You supply the 1/4" (6 mm) tempered glass. Optional glass stops are available for 1" (25 mm) infills.

SERIES 400 MEDIUM STILE TYPICAL DETAILS

For 1/4" (6 mm) or 1" (25 mm) Glazing



NOT TO SCALE