

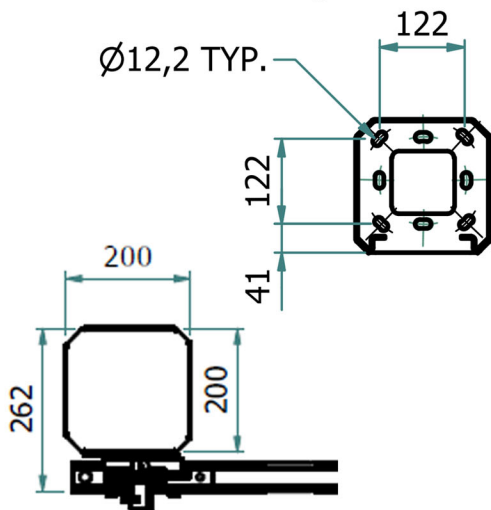
Manual Boom Gate Vehicle Barrier Installation and Calibration Guide

Factory settings need no further adjustment

Installation is as easy as drilling and anchoring with (4) M10 Anchors



To Install:
 Drill and anchor (4) M10 Anchors.
 See Base Plate Drawings.



- The ideal solution for manually operated vehicle access control
- Spring counterbalance system for easy lowering and raising
- Ergonomic handle design
- Lockable by a padlock in both the open and closed positions
- Rubber buffer contact in open and closed positions
- Designed for the harshest of conditions
- Unaffected by dust, dirt, and moisture
- Powder-coated durable finish
- Standard color white cabinet and blue lid
- Cabinet weight: Approx 130 lbs

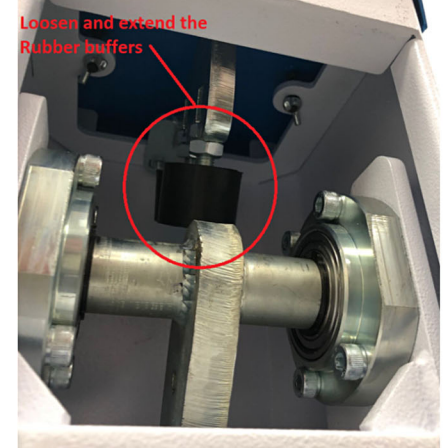


To Calibrate:

*If adjusting the manual 'weight' it takes to operate the arm:



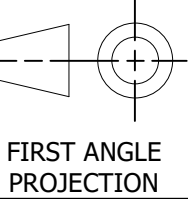
To support the arm, the rubber stoppers may be tightened:



PROJECT:

MANUAL ASSISTED VEHICLE BARRIER

SCALE: NTS



FIRST ANGLE PROJECTION

DIMENSIONAL TOLERANCES (UNLESS OTHERWISE SPECIFIED):

FROM:	TO	TOLERANCE
0	25	+- 0.25
26	100	+- 0.50
101	250	+- 1.00
251	500	+- 1.50
501	1000	+- 2.50
1001	>	+- 3.00

APPROVALS:

Drawn By:	BP NEL	2021/03/23
Designed By:	BP NEL	2021/03/23
Checked By:	C SACKS	2021/03/23
Eng Approved:	C SACKS	2021/03/23

MASS:

N/A

MATERIAL:

-

FINISH:

STANDARD FINISH

DESCRIPTION:

3M SPRING ASSISTED OCTAGONAL

PART NUMBER:

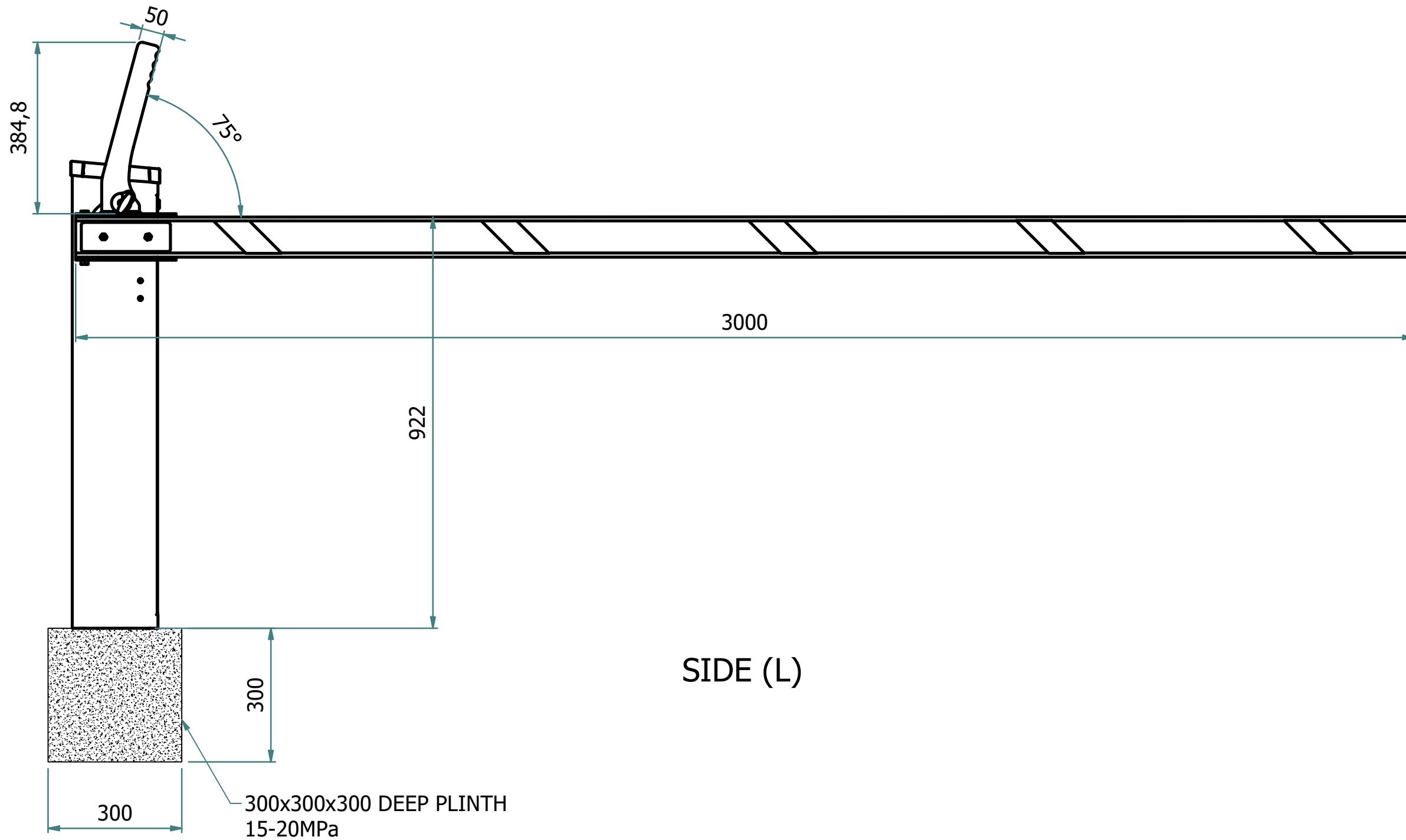
MAVB-AS-01

REV:

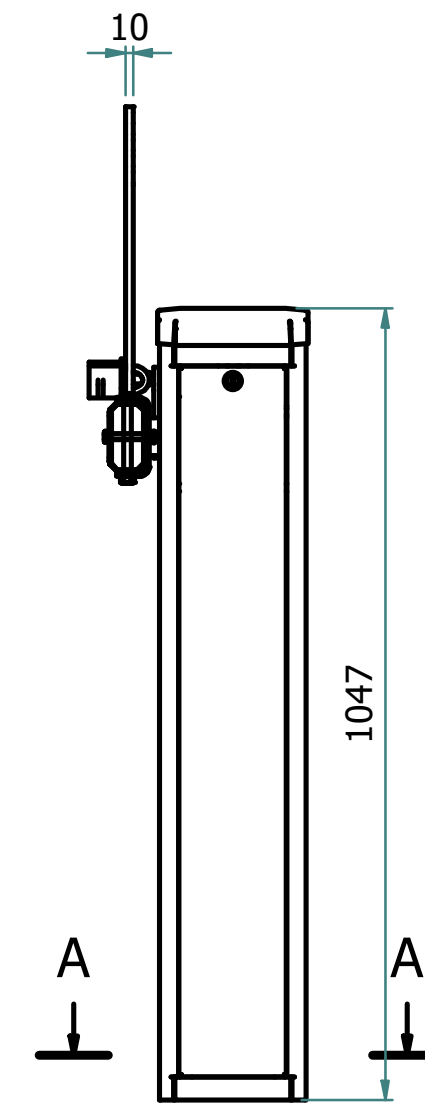
6



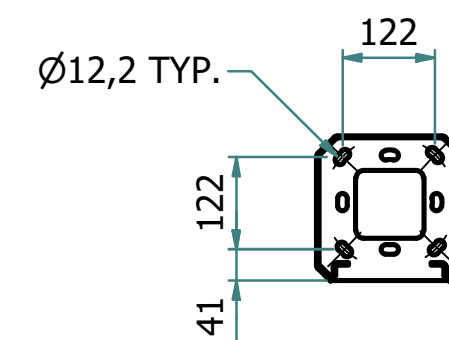
TOP



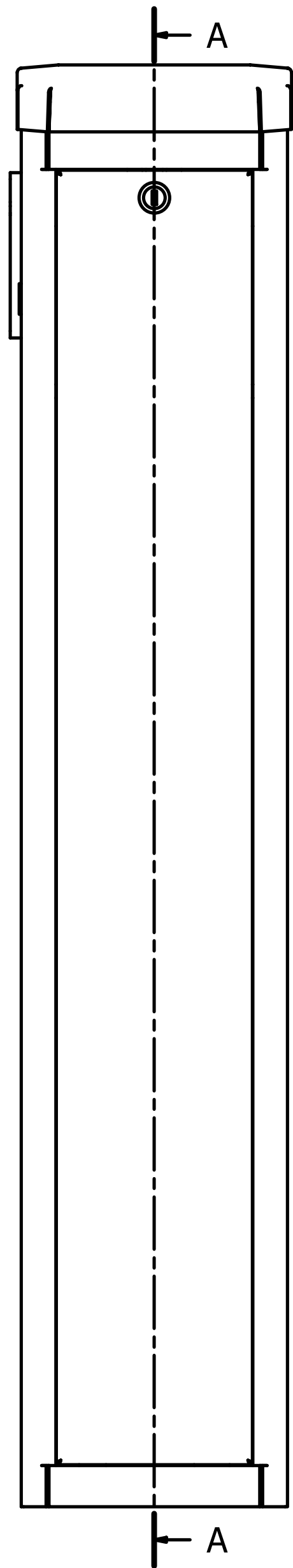
SIDE (L)



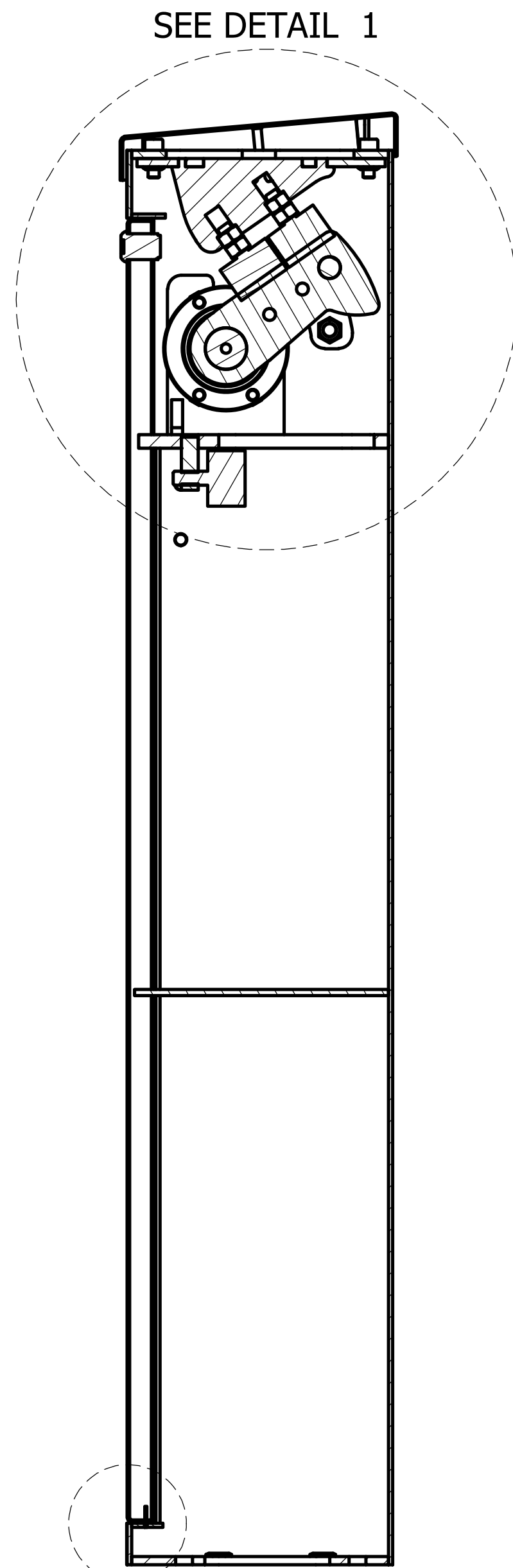
FRONT



SECTION: A-A

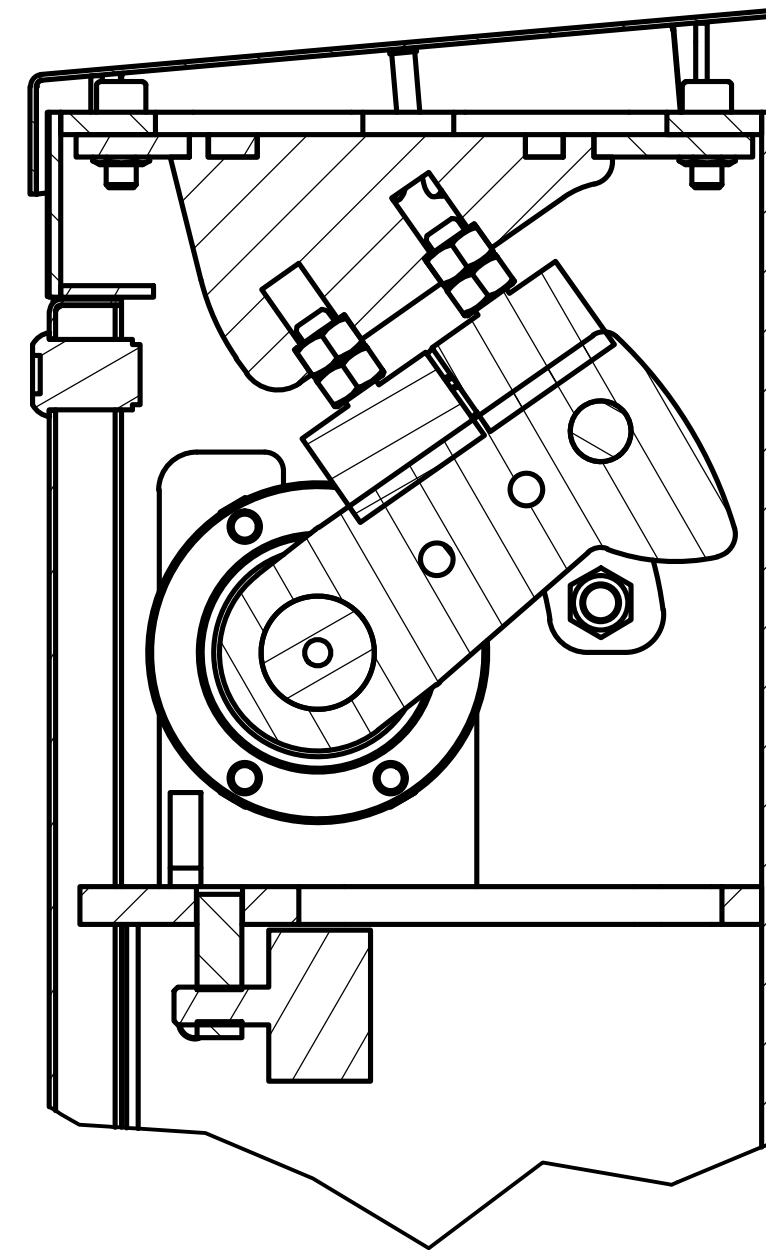


FRONT

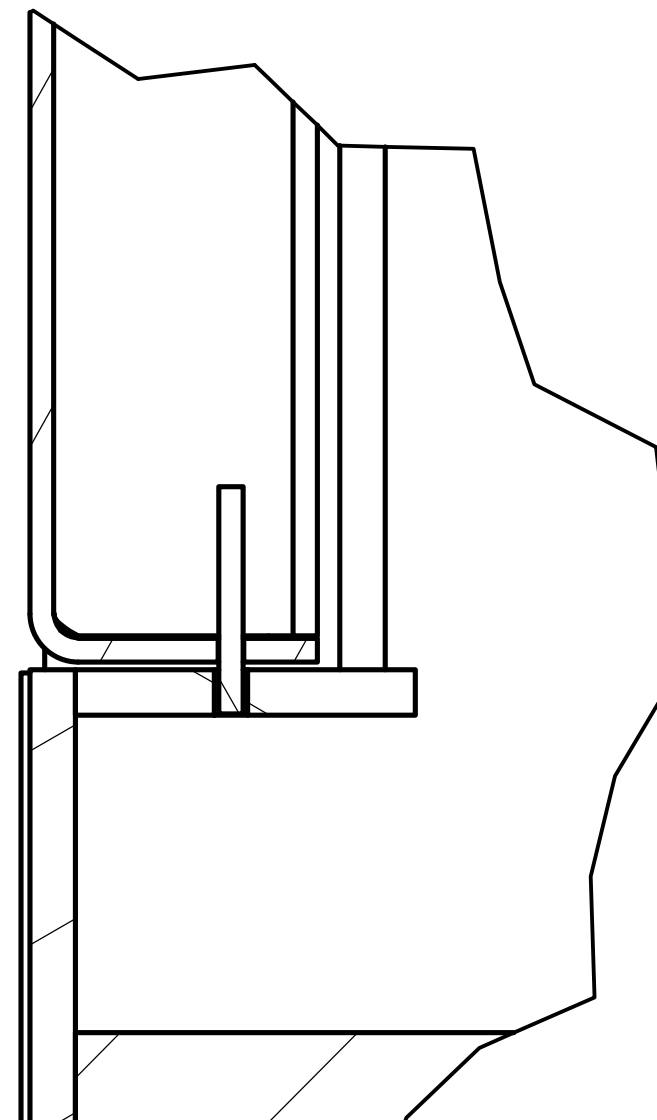


SEE DETAIL 2

SECTION: A-A



DETAIL: 1
1 : 2

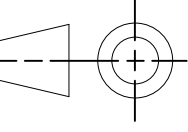


DETAIL: 2
2 : 1

PROJECT:

**MANUAL ASSISTED VEHICLE
BARRIER**

SCALE: NTS



FIRST ANGLE
PROJECTION

DIMENSIONAL TOLERANCES
(UNLESS OTHERWISE SPECIFIED):

FROM:	TO	TOLERANCE
0	25	+- 0.25
26	100	+- 0.50
101	250	+- 1.00
251	500	+- 1.50
501	1000	+- 2.50
1001	>	+- 3.00

APPROVALS:

Drawn By:	BP NEL	2021/03/23
Designed By:	BP NEL	2021/03/23
Checked By:	C SACKS	2021/03/23
Eng Approved:	C SACKS	2021/03/23

MASS:

N/A

MATERIAL:

-

FINISH:

STANDARD FINISH

DESCRIPTION:

**3M SPRING ASSISTED
OCTAGONAL**

PART NUMBER:

MAVB-AS-01

REV:

6