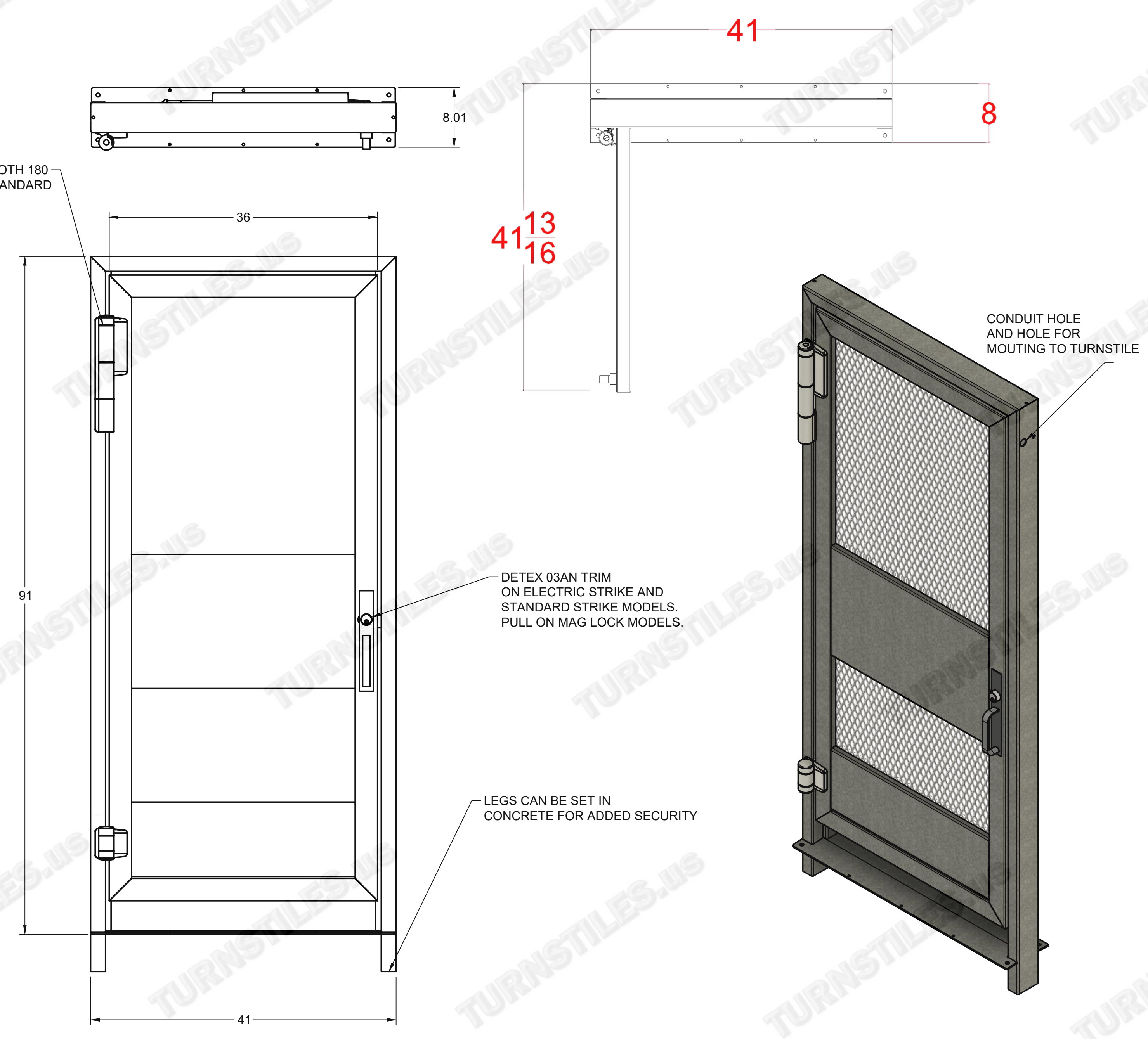


\* DIMENSIONS MAY VARY IN ACTUAL INSTALLATION - FABRICATION CHANGES RESERVED - SIMILAR EQUIPMENT MAY BE SUBSTITUTED \*

FIRST DRAWN	BY
01-20-21	JJM JR
REVISED	BY
03-31-22	JJM JR

**COPYRIGHT © TURNSTILES.US**  
 Copyright © Turnstiles.us All rights reserved. Reproduction or translation of this work without the express written permission of TURNSTILES.us is unlawful and is an infringement of intellectual property belonging to TURNSTILES.us.  
 All drawings and/or designs are restricted for use exclusively with a purchase, installation, and/or support from Turnstiles.us. Any other use of these materials is a violation of copyright law. Request for additional information should be addressed to the Legal Department, Turnstiles.us.

D  
C  
B  
A



**TURNSTILES.US**

www.TURNSTILES.us

Call 303 670 1099 \* Text 303 918 9787

patrick.mcallister@turnstiles.us

Equipment Detail and Dimensions	
AG36-ADA Gate Detail and Dimensions 2D Elevation	
DWG	AG36-ADA Gate Equipment Detail and Dimensions
DATE	03-31-22
SHEET - 1 OF 1	

AUTHORIZED SIGNATURE: \_\_\_\_\_ DATE: \_\_\_ / \_\_\_ / \_\_\_

1 2 3 4