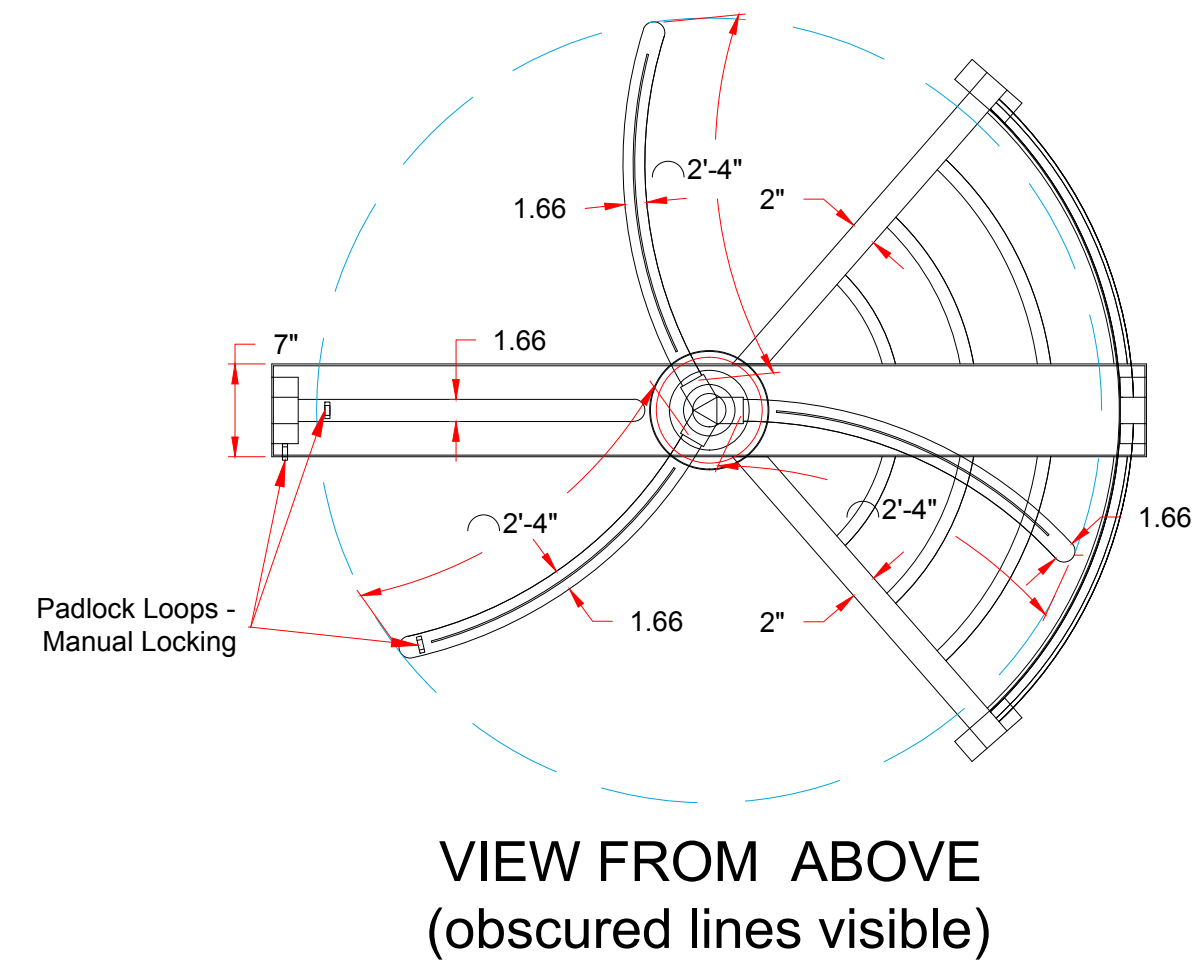
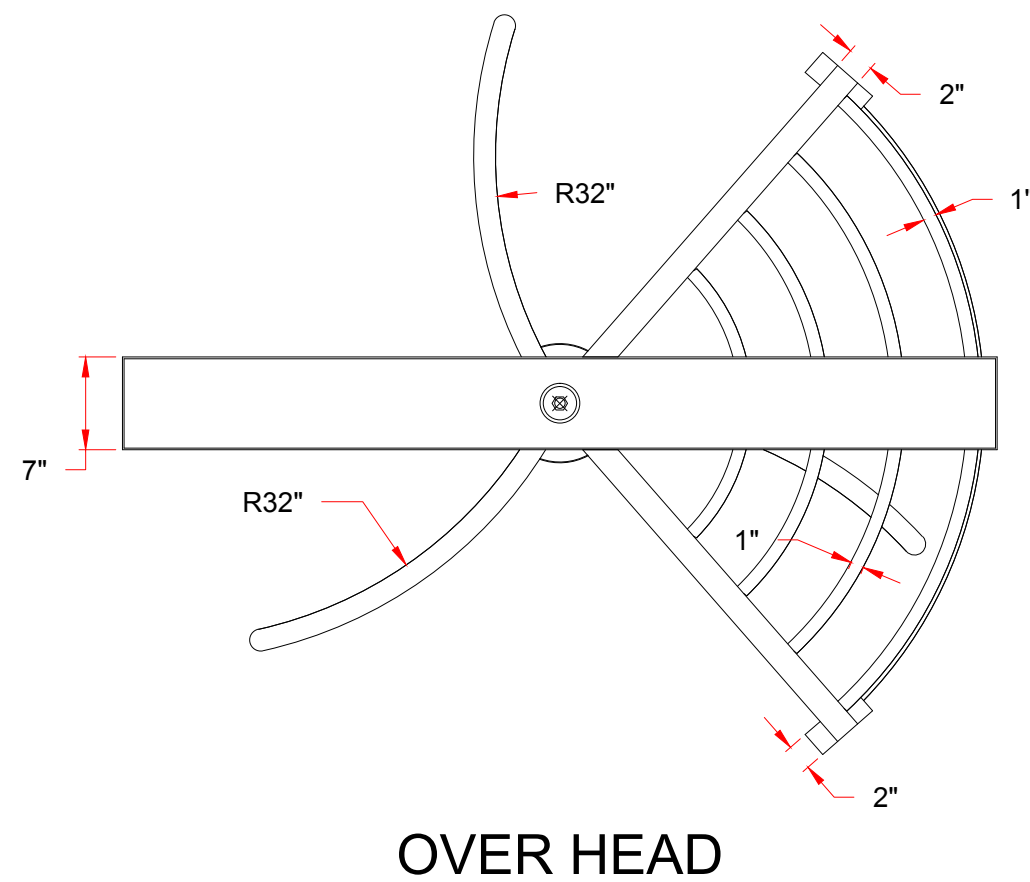
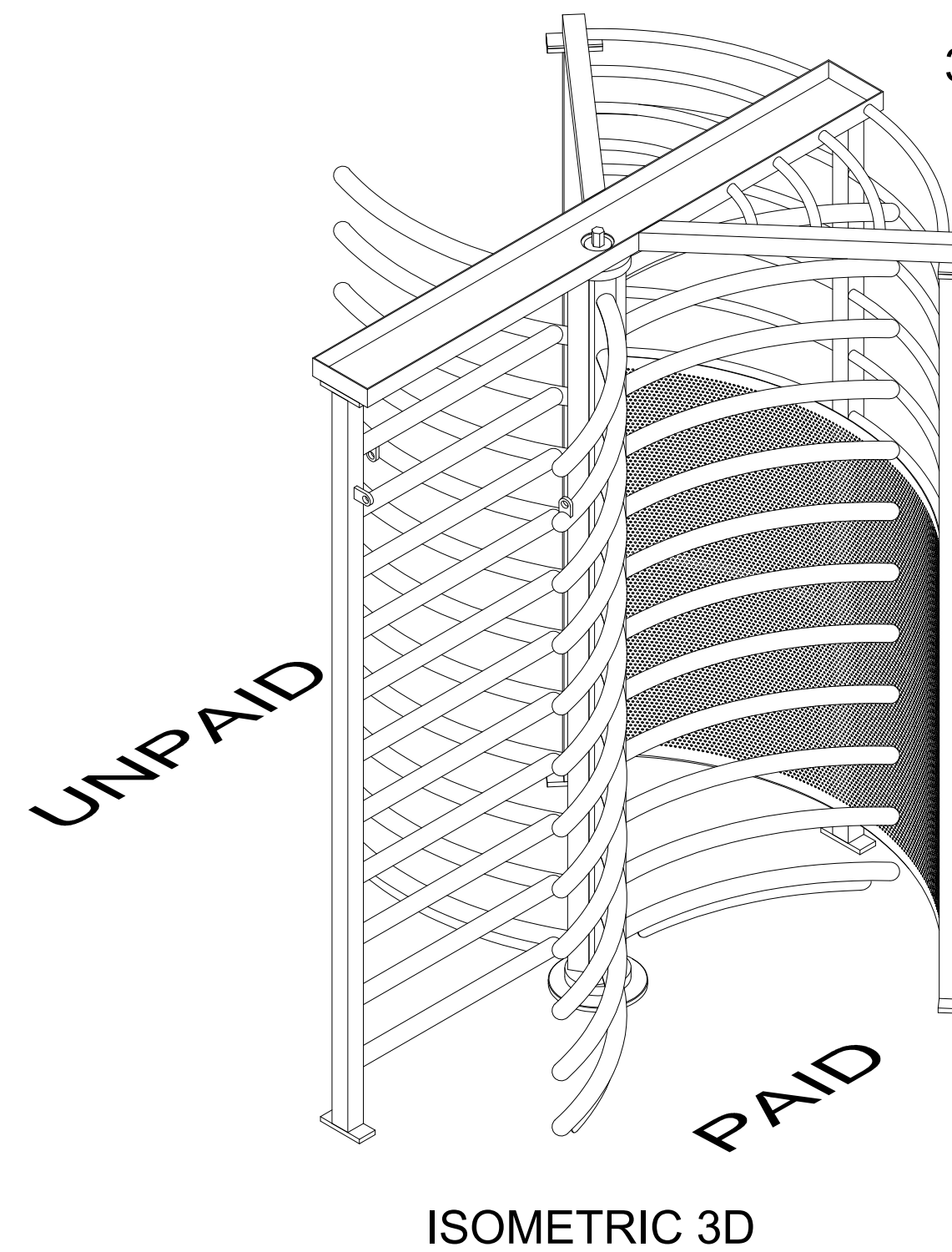
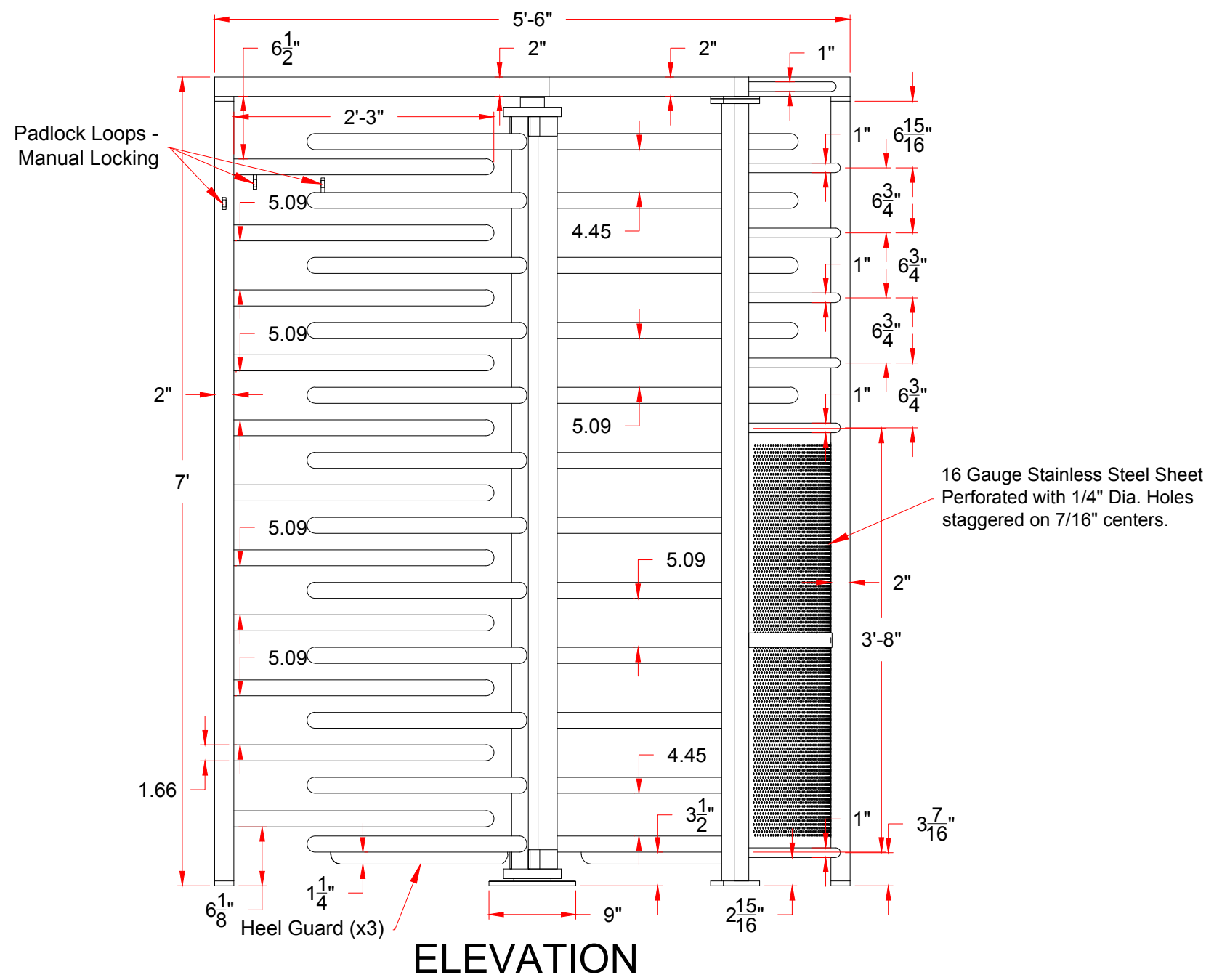


DIMENSIONS MAY VARY - NOT FOR FABRICATION / FACTORY USE - DESIGN CHANGES RESERVED

304 STAINLESS STEEL
with #4 SATIN FINISH



MTA STYLE
SINGLE FULL-HEIGHT
TURNSTILE DETAIL

MTA STYLE CURVED ARM SINGLE Turnstile
*** DIMENSIONS MAY VARY IN ACTUAL FABRICATION, DESIGN CHANGES RESERVED ***
PRELIMINARY TO FACTORY USE

TURNSTILES.us

www.TURNSTILES.us
Call 303 670 1099 * Text 303 918 9787
patrick.mcallister@turnstiles.us