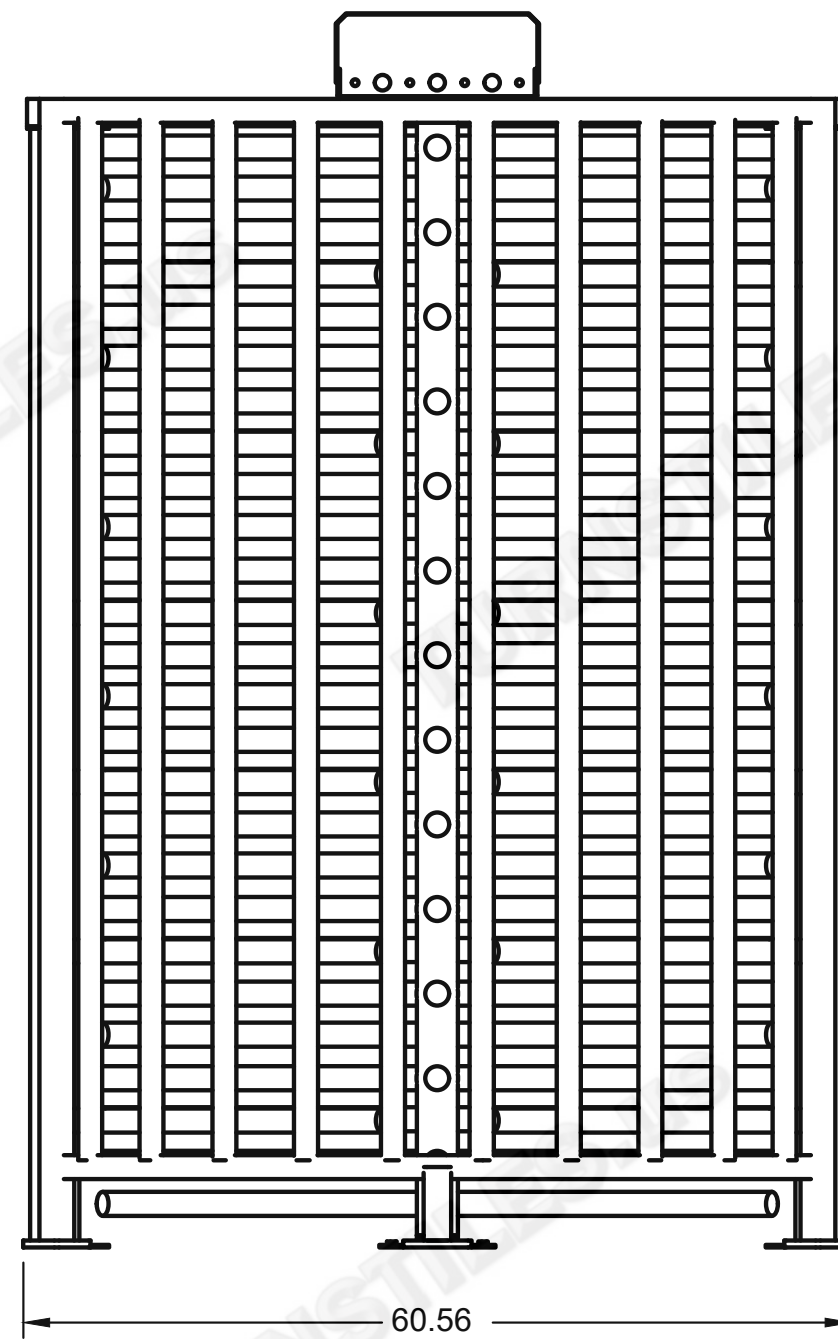
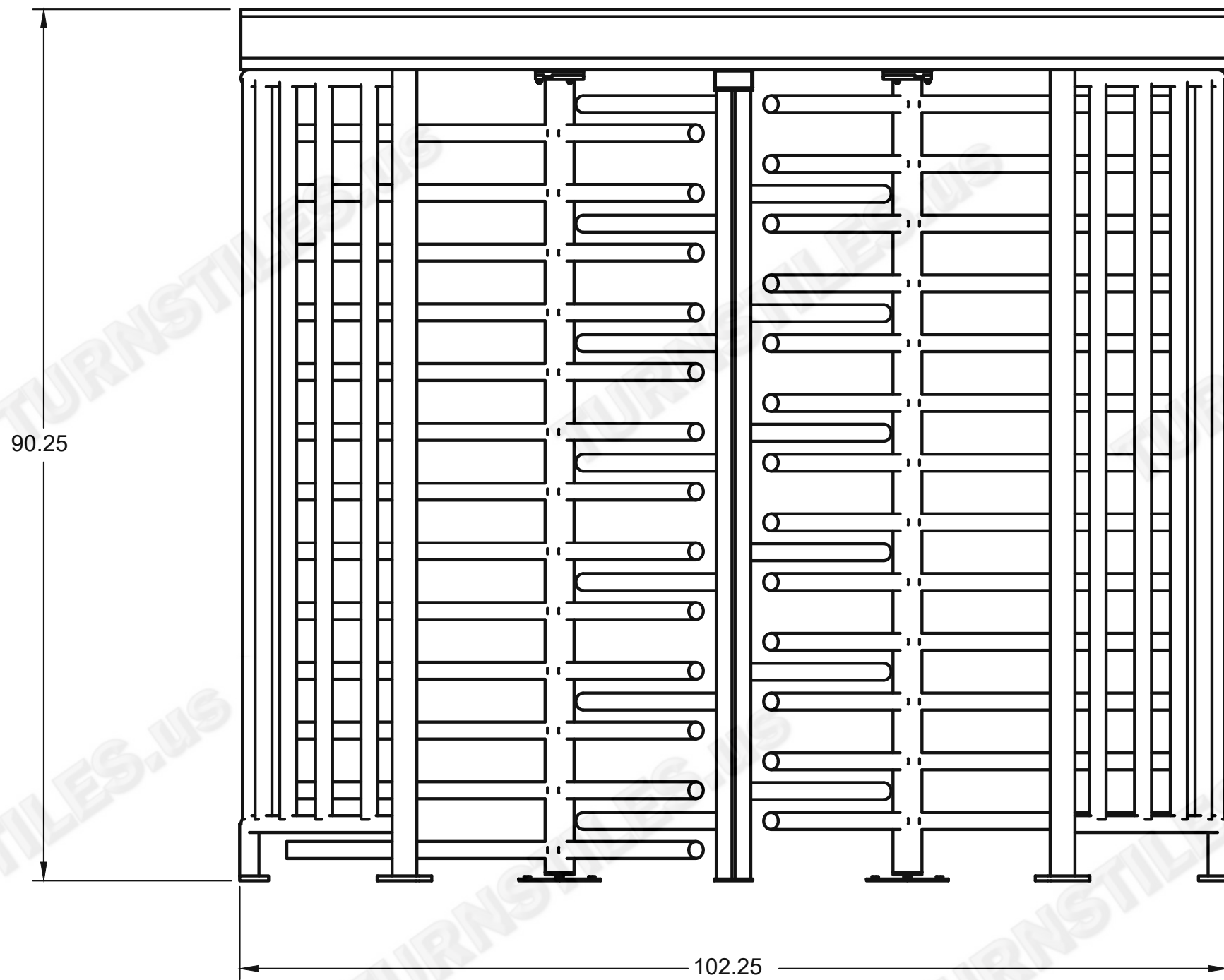
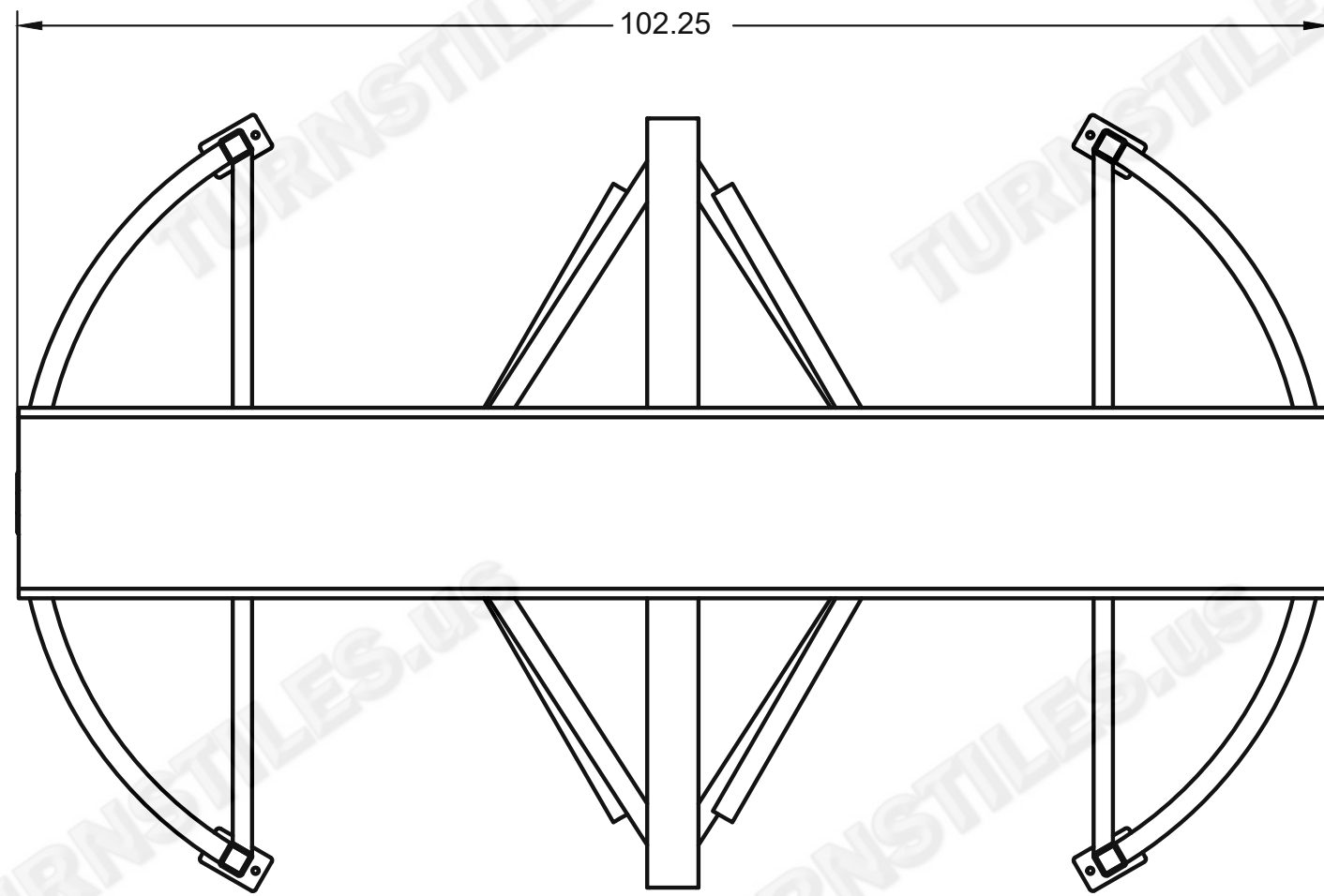


* DIMENSIONS MAY VARY IN ACTUAL INSTALLATION - FABRICATION CHANGES RESERVED - SIMILAR EQUIPMENT MAY BE SUBSTITUTED *



FIRST DRAWN	BY
01-26-2023	JM
REVISED	BY

COPYRIGHT © TURNSTILES.US
 Copyright © Turnstiles.us All rights reserved. Reproduction or translation of this work without the express written permission of TURNSTILES.US is unlawful and is an infringement of intellectual property belonging to TURNSTILES.US.
 All drawings and/or designs are restricted for use exclusively with a purchase, installation, and/or support from Turnstiles.us. Any other use of these materials is a violation of copyright law. Request for additional information should be addressed to the Legal Department, Turnstiles.us.

TURNSTILES.US
 www.TURNSTILES.us
 Call 303 670 1099 * Text 303 918 9787
 patrick.mcallister@turnstiles.us

Equipment Location Detail	
AG30-TT TANDEM TURNSTILE EQUIPMENT DIMENSION DETAIL	
DWG	AG30-TT TANDEM TURNSTILE EQUIPMENT DIMENSION DETAIL
DATE	01-26-2023
SHEET - 1 OF 1	

AUTHORIZED SIGNATURE: _____ DATE: ___ / ___ / ___