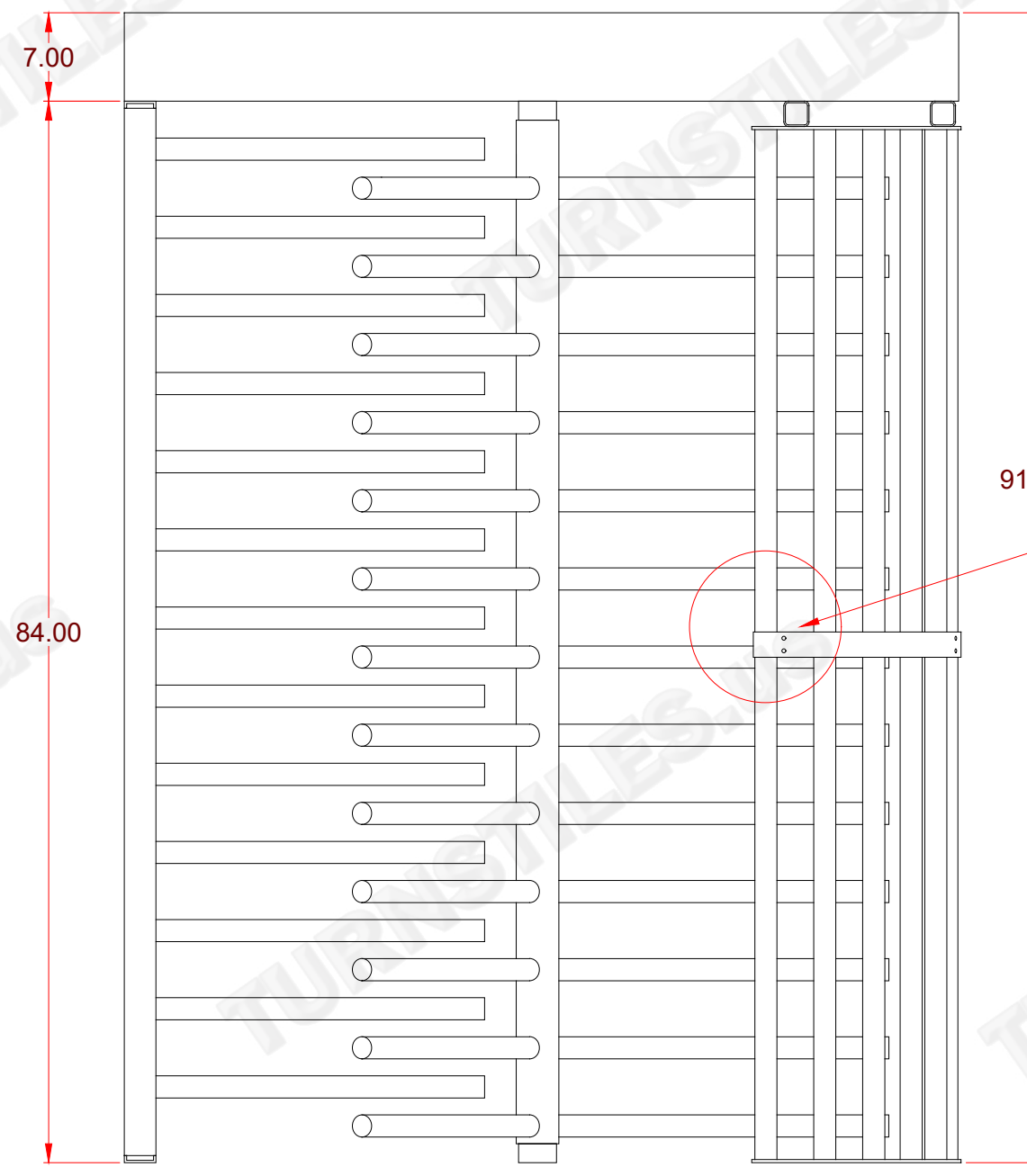
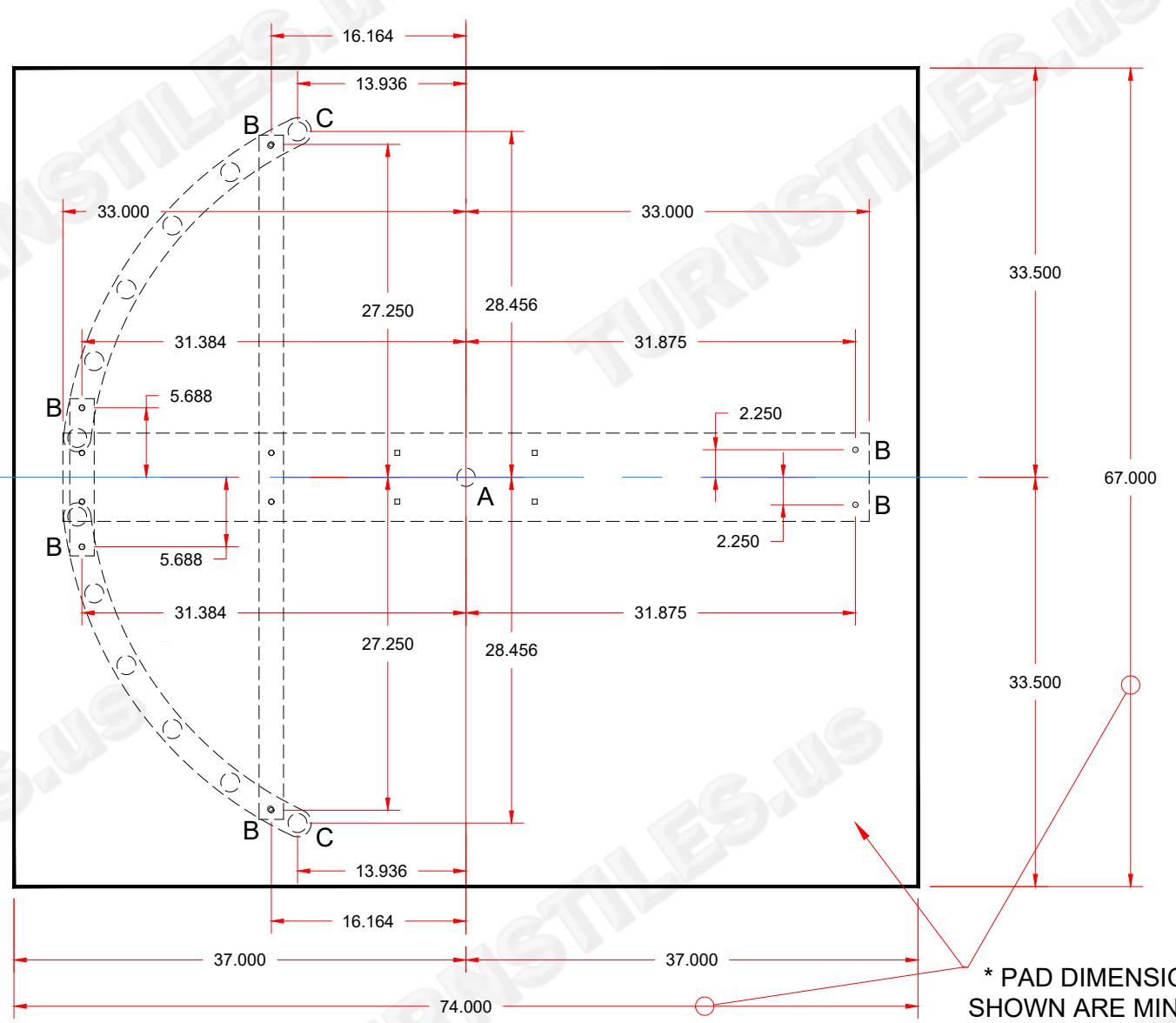


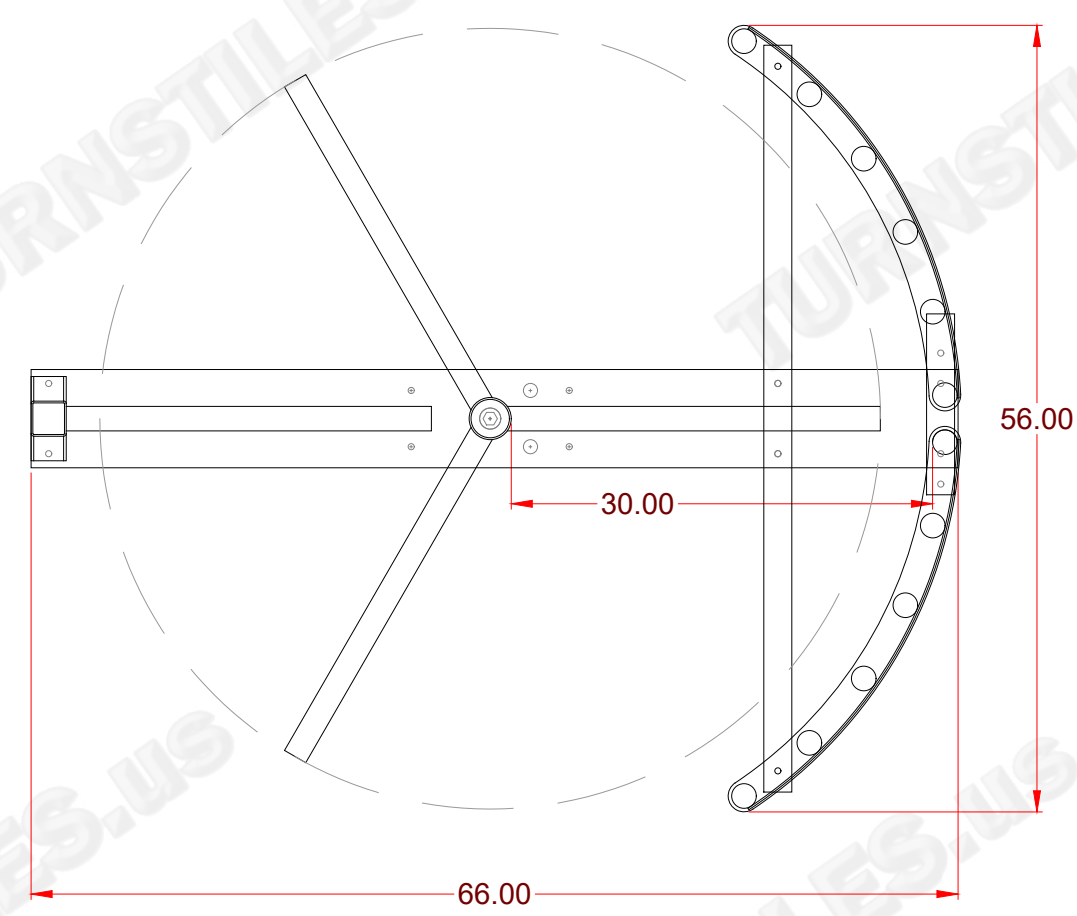
MODEL VIEW



ELEVATION



* PAD DIMENSIONS SHOWN ARE MINIMUM RECOMMENDATION



FOOT PRINT

A = 5/8" X 4-1/2" ANCHOR QTY. 1
 B = 3/8" X 4-1/2" ANCHOR QTY. 6
 C = POSSIBLE CONDUIT LOCATION
 * Suggested anchor bolt torque = 50 ft.lbs.

FIRST DRAWN	BY
09-24-18	TOG
REVISED	BY
11-07-24	CJC

COPYRIGHT © TURNSTILES.US
 Copyright © Turnstiles.us All rights reserved. Reproduction or translation of this work without the express written permission of TURNSTILES.US is unlawful and is an infringement of intellectual property belonging to TURNSTILES.US.
 All drawings and/or designs are restricted for use exclusively with a purchase, installation, and/or support from Turnstiles.us. Any other use of these materials is a violation of copyright law. Request for additional information should be addressed to the Legal Department, Turnstiles.us.

TURNSTILES.US
 SECURING THE USA and the GLOBE since 1989
 www.TURNSTILES.us
 Call: 303-670-1099 | Text: 303-918-9787
 patrick.mcallister@turnstiles.us

EQUIPMENT DETAIL & DIMENSIONS

HS430 Single Turnstile Anchor, Base, and Concrete Pad Detail	
DRAWING:	HS430 Turnstile A-B-C DET
DATE:	11-07-24
PAGE:	1 OF 1