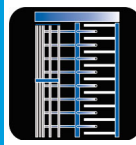


MPH

High door glass barrier gates



TURNSTILES.us™

SECURING THE U.S. and the GLOBE



For medium and high security requirements

When higher security is needed when providing access to transit platforms, commercial or residential buildings, MPH high door glass barrier gates are the perfect solution. The MPH offers standard and ADA-compliant widths suitable for wheelchairs, mobility devices, and material carts. The sleek-looking MPH allows passage without contact. Photoelectric switches detect users and quickly open the wings fully allowing a no-contact passage. The barriers close automatically after each passage.

The sensitive impact detection of the MHTM™ drive ensures maximum safety. In addition, the photoelectric switches contribute towards security: they register the passage of persons attempting to tailgate, pass the wrong way, or without authorization and trigger an alarm. The high glass barrier gates can be used bi-directionally and can be regulated with all common access control systems. The barriers are available with toughened or laminated safety glass.



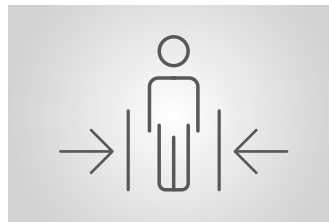
High barrier means high security

The high barrier prevent climbing over and thus effectively separate areas from one another. The desired level of security can be individually adapted via differing gate heights.



Innovative drive technology

The MHTM™ drive unit is maintenance-free, energy-efficient and quiet. Sensitive impact detection ensures maximum safety.



Reliable processes

Photoelectric switches in the passage reliably detect persons and objects. They facilitate no-contact passage and trigger an alarm in case of improper access attempts



Easily accessible components

All the control and drive components necessary for operation are accommodated in the lockable central segment – considerably simplifying setup and maintenance.

ACCESS

AFC

IMMIGRATION

BOARDING

www.TURNSTILES.us / www.entrapass.com / 8641 S. Warhawk Road, Conifer, CO 80433 / 303-670-1099

MPH

High door glass barrier gates

- > Secure control of access with rapid passage of persons
- > Safe, no-contact passage
- > Simple integration of most access control systems
- > Automatic opening if power fails
- > Standard and ADA widths suitable for wheelchairs, mobility devices, and material carts
- > Designed for 10 million opening and closing actions



Technical data	MPH 112 (Standard)	MPH 112 (Wide Lane)
Passage width	20.5 in	36 in
Barrier heights	47.25, 59, or 70.8 in	47.25, 59, or 70.8 in
Opening/closing time	0.6 – 1.2 s	1.0 – 1.4 s
Drive technology	MHTM™	MHTM™
Voltage	110 – 240 VAC, 50/60 Hz	110 – 240 VAC, 50/60 Hz
Power consumption	Maximum 100 W	Maximum 300 W
Duty cycle	100 %	100 %
Housing dimensions (L x W x H)	51.2 x 11.8 x 40.75 in	51.2 x 20.5 x 40.75 in
Housing material	Stainless steel V2A	Stainless steel V2A
Enclosure rating	IP 32	IP 32
Weight	approx. 440 lb	approx. 600 lb
Temperature range	32 to +113° F	32 to +113° F

Options	
Barrier elements	Toughened or laminated safety glass; gate heights of 47.25", 59" or 70.8"; Customer-specific glass barrier designs possible with back-lighting, imprints or appliquéés; custom color acrylic

Attachments Customer-specific access control systems

Potential applications				



Definition of Module Versions:

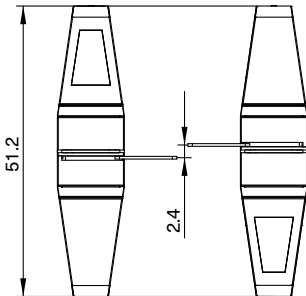
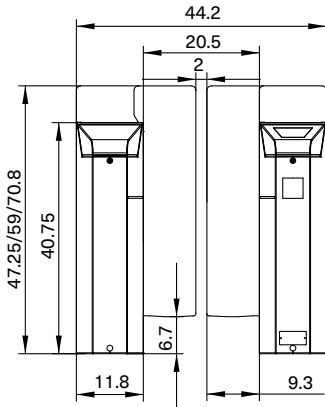
A	Basis module, incl. 1 front plate, with 1 GED, incl. glass wing and overclimb protection
B	End module, incl. 1 front plate with MBC-Lane-Controller and 1 GED, incl. glass wing and overclimb protection
C	Intermediate module, incl. 2 front plates with MBC-Lane-Controller and 2 GED, incl. glass wing and overclimb protection
E	Transition module, incl. 2 front plates with MBC-Lane-Controller and 2 GED, incl 2 glass wings and 1 overclimb protection
F	Transition module, incl. 2 front plates with MBC-Lane-Controller and 2 GED, incl 2 glass wings and 1 overclimb protection

Item no.	Module Version	Passage Width	Housing Width	Housing Length	Glass Height
MPH-112A-C111A	A	20.5 in	11.5 in	51.2 in	47.25 in
MPH-112A-C111B	A	20.5 in	11.5 in	51.2 in	59.0 in
MPH-112A-C111C	A	20.5 in	11.5 in	51.2 in	70.8 in
MPH-112B-C111A	B	20.5 in	11.5 in	51.2 in	47.25 in
MPH-112B-C111B	B	20.5 in	11.5 in	51.2 in	59.0 in
MPH-112B-C111C	B	20.5 in	11.5 in	51.2 in	70.8 in
MPH-112C-C111A	C	20.5 in	11.5 in	51.2 in	47.25 in
MPH-112C-C111B	C	20.5 in	11.5 in	51.2 in	59.0 in
MPH-112C-C111C	C	20.5 in	11.5 in	51.2 in	70.8 in
MPH-112E-C211A	E	20.5 - 35.8 in	20.5 in	51.2 in	47.25
MPH-112E-C111B	E	20.5 - 35.8 in	20.5 in	51.2 in	59
MPH-112E-C111C	E	20.5 - 35.8 in	20.5 in	51.2 in	70.8
MPH-112F-C211A	F	35.8 - 20.5 in.	20.5 in	51.2 in	47.25
MPH-112F-C211B	F	35.8 - 20.5 in.	20.5 in	51.2 in	59
MPH-112F-C211C	F	35.8 - 20.5 in.	20.5 in	51.2 in	70.8
MPH-112A-C211A	A	35.8 in	20.5 in	51.2 in	47.25
MPH-112A-C211B	A	35.8 in	20.5 in	51.2 in	59
MPH-112A-C211C	A	35.8 in	20.5 in	51.2 in	70.8
MPH-112B-C211A	B	35.8 in	20.5 in	51.2 in	47.25
MPH-112B-C211B	B	35.8 in	20.5 in	51.2 in	59
MPH-112B-C211C	B	35.8 in	20.5 in	51.2 in	70.8
MPH-112C-C211A	C	35.8 in	20.5 in	51.2 in	47.25
MPH-112C-C211B	C	35.8 in	20.5 in	51.2 in	59
MPH-112C-C211C	C	35.8 in	20.5 in	51.2 in	70.8

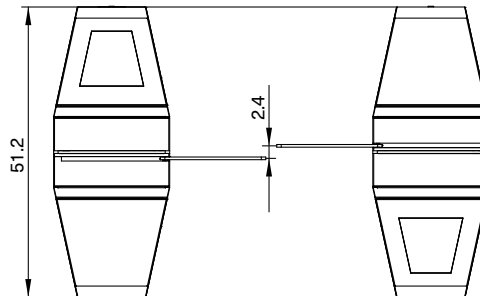
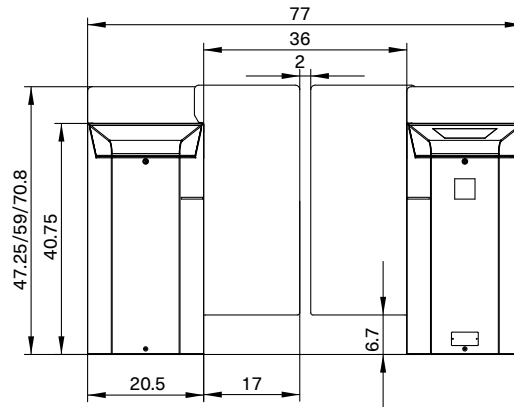


Dimensional drawings

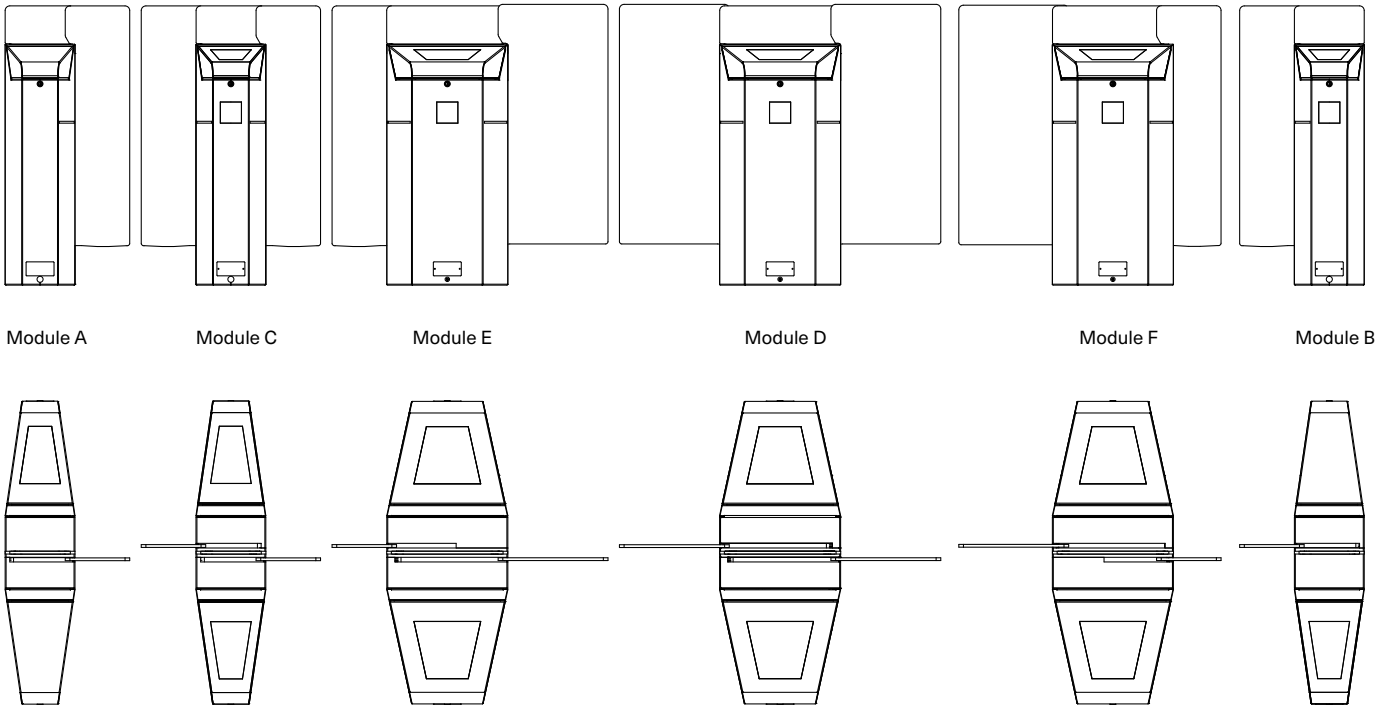
MPH 112 (Standard)
with 20.6 in passage width



MPH 112 (Wide Lane)
with 36 in passage width



Line configuration with combinable modules



A wide variety of space-saving applications for pedestrians and wheelchair users can easily be implemented using a combination of modules with wings on one or two sides and with narrow or wide passages.