



Tripod Turnstile

CPW-400DM

Product Manual V3.2

Contents

Product Description..... 1

Structure Chart 2

Dimension Figure 2

Product Parameters 3

Product Function 3

Product Customization 3

Product Description

Bridge type tripod turnstile CPW-400DM is with bevel design and has no side baffle, which is light and beautiful, simple and fashionable; The housing made of stainless steel is durable; The mechanism modules are pure mechanical structures, with low-power consumption, energy conservation and environment protection.

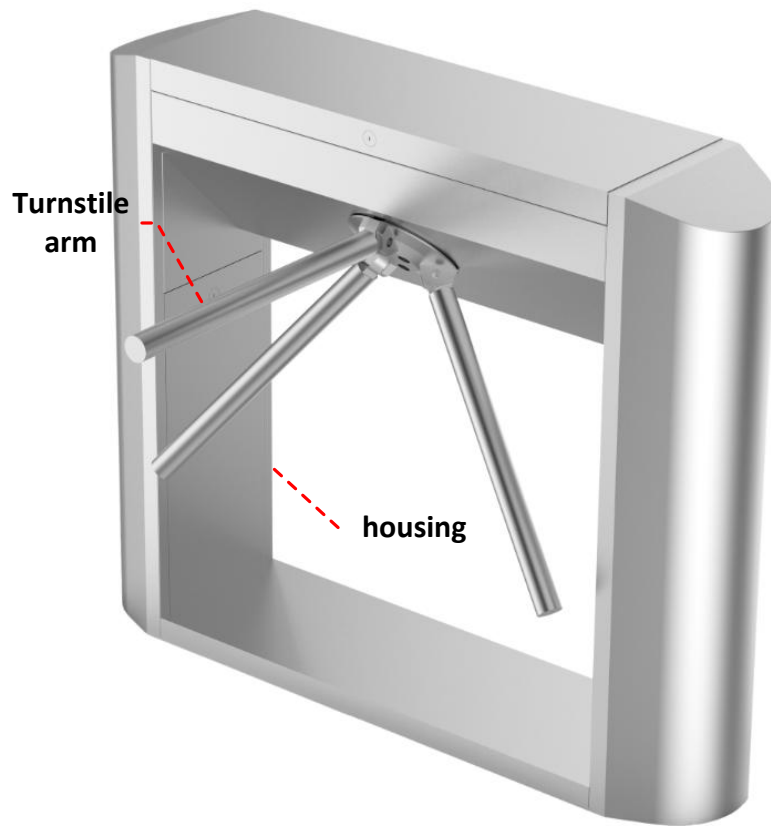
Feature

- ✧ Excluding electrical structure, pedestrians need to manually push the arms to pass through.
- ✧ Achieve single-user throughput. Safe and reliable.
- ✧ With the strong waterproof, dust-proof ability and environmental adaptability, the turnstile is suitable for indoor and outdoor applications.

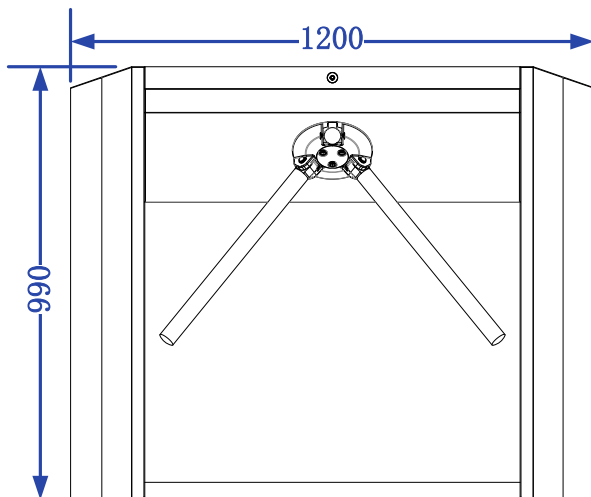
Occasion Applications

Suitable for commercial buildings, airports, train stations, exhibition halls, tourist attractions, residential communities etc.

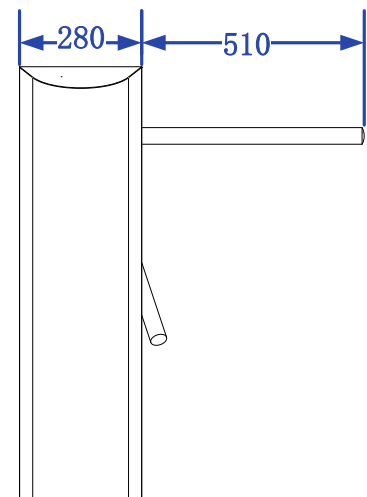
Structure Chart



Dimension Figure (Unit: mm)



Front view



Side view

Product Parameters

Structure Parameters	
Housing material	304 grade stainless steel
Surface treatment	Brushed finish
Turnstile arm material	304 grade stainless steel
Technical Parameters	
Normal throughput capacity	20 ~ 35 people / min (according to the condition of pedestrians)
Evacuate throughput capacity	60 people/min (according to the condition of pedestrians)
Operation temperature	- 20℃~60℃

Product Function

● Basic Function

- **Passing mode switching function:** Free passing for signal direction while another direction is forbidden to pass; the passing direction can be adjusted for entry and exit.
- **Automatic reset function:** When pedestrians have finished passing through the turnstile, the arms will return to the hindered zero position automatically.
- **Manually dropping-arms:** Open the turnstile maintenance door and press the snap, one of the arms will drop down automatically so as to evacuate pedestrians conveniently, which meets the firefighting requirement.

Product Customization

● Customized Functions

- Passing indication function.

● Materials

- The material of housing can be 316 grade stainless steel, and the thickness of stainless steel can be customized.

★ Notes:

- (1) The product design and specifications are subject to change without prior notice. (2) Please contact us directly for special features customization.