

**TURNSTILES.us**™

**SECURING THE U.S. and the GLOBE**

**Tripod Turnstile**

**CPW-311BS**

**Product Manual V3.2**

# Contents

Product Description..... 1

Structure Chart ..... 2

Dimension Figure ..... 2

Product Parameters..... 3

Product Function ..... 3

Product Customization ..... 5

## Product Description

Bridge type tripod turnstile CPW-311BS is with bevel design and has no side baffle, which is light and beautiful, simple and fashion; the housing made of stainless steel is durable; the mechanism adopts the dampers, with low-noise, low-power consumption, energy conservation and environment protection.

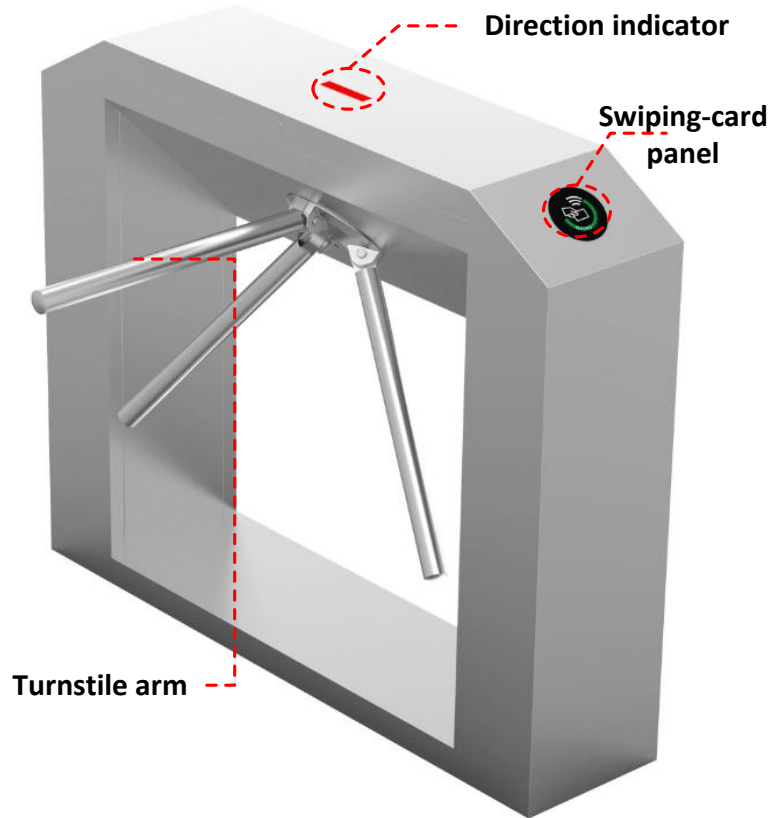
### Feature

- ✧ Excluding motor, when power on, security staff needs to put up the arms manually; after providing valid open signal, passengers have to push the arms manually to pass through.
- ✧ Effectively achieve single-user throughput for each time. Its safety and reliability are much higher.
- ✧ With the strong waterproof, dust-proof ability and environmental adaptability, the turnstile is suitable for indoor and outdoor applications.
- ✧ Equipped with the dry contact signal input interface, RS485/RS232 interface, TCP/IP interface (optional), compatible with all kinds of access controllers.

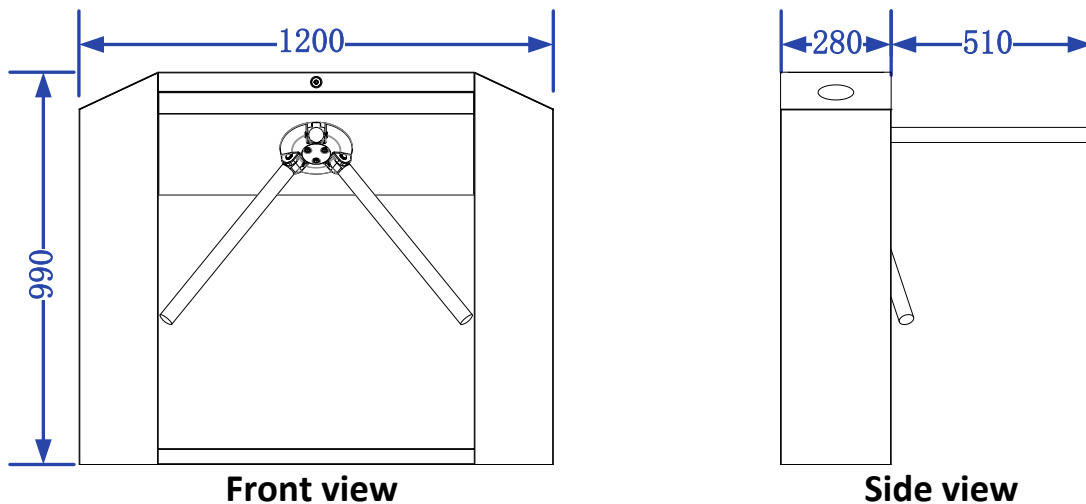
### Occasion Applications

Suitable for commercial buildings, subways, airports, exhibition halls, factories, tourist attractions, residential communities etc.

## Structure Chart



## Dimension Figure (Unit: mm)



## Product Parameters

Structure Parameters	
Housing material	304 grade stainless steel
Surface treatment	Brushed finish
Turnstile arm material	304 grade stainless steel
Technical Parameters	
Normal throughput capacity	20 ~ 35 people / min (according to the condition of pedestrians)
Evacuate throughput capacity	60 people/min (according to the condition of pedestrians)
Operation temperature	- 20°C~60°C
Electric Parameters	
Power supply	100-240VAC, 50/60Hz
Rated power	50W
Input/ Output signal	6-channel relay signal output / 8-channel dry contact signal input
Communication interface	RS485 / RS232; TCP/IP interface (customizable)

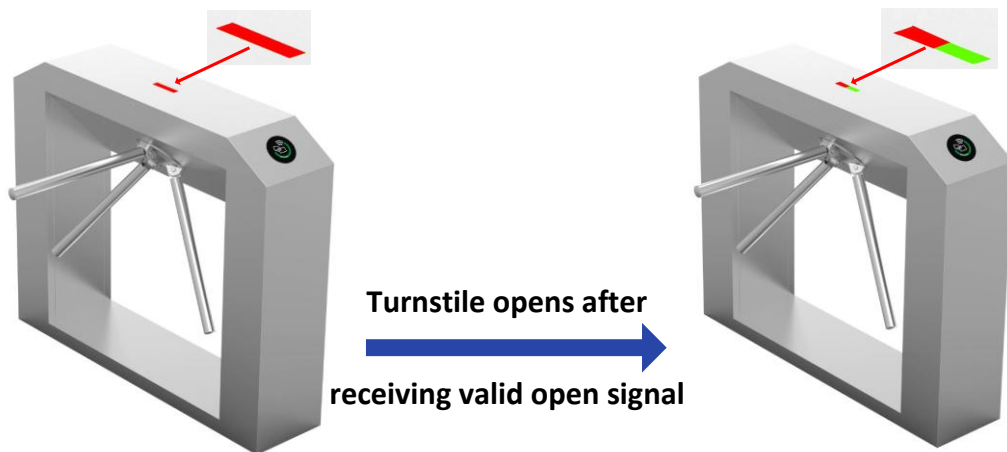
## Product Function

### ● Basic Function

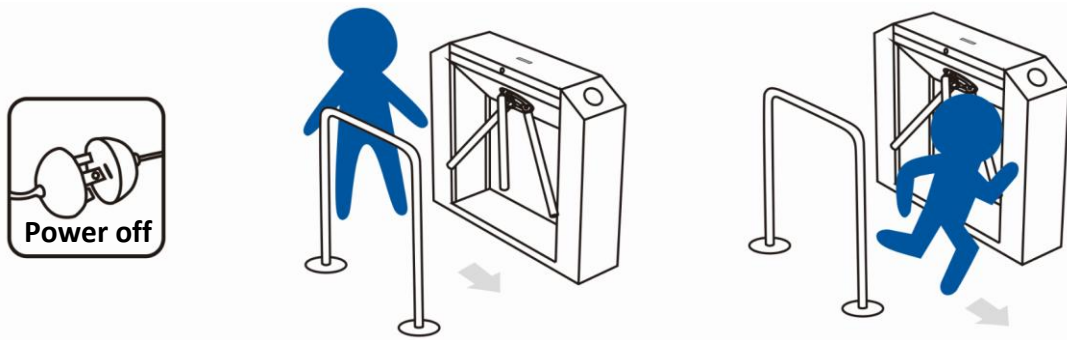
- **Passing mode switching function:** The entry and exit can be set independently **【controlled mode】** / **【free mode】** / **【forbidden mode】**
- **Automatic reset function:** The turnstile will open after receiving valid opening signal when standby. The turnstile arms will return to the hindered zero position automatically under the following situations:
  - (1) When passengers have finished passing through the turnstile;
  - (2) Beyond the allowed time for passing.
- **Self-recovery function:** The turnstile arms don't return to the hindered zero position because of human intervention. After revoking human intervention, the arms will automatically return to the hindered zero position.
- **Memory function of passing requests:** When more than 2 passing signals are given at the same time (including the same direction and opposite direction), the system will remember all the passing requests and finish them one by one. The numbers can be up to 255.



- **Anti-intrusion function:** If passengers don't provide valid opening signal when in controlled mode or in forbidden mode and push the arms forcibly, the arms will be locked to prevent passengers' illegal intrusion.
- **Anti-reverse passing function:** If one direction receives valid opening signal and within the passing time, passenger walk into the passage in another direction to push the arms will be considered as the illegal reverse intrusion, then the arms will be locked to prevent passengers' illegal reverse passing.
- **Passing indication function:** The direction indicator is installed on the top of the housing cabinet to indicate the valid passing direction.



- **Compatibility:** Equipped with the dry contact signal input interface, RS485/RS232 interface, TCP/IP interface (optional), compatible with all kinds of access controllers.
- **Security Design**
- **Self-check function when power on:** The system will self-check routinely when power on, and intelligently detect the key hardware and function. Find the hidden danger within the shortest time!
- **Drop the arm when power off:** Adopt the leading mechanical structure by original creation; one of the arms will drop automatically when power off so as to evacuate people conveniently, which meets the firefighting requirement.



- **Emergency escape function**: Equipped with emergency escape control device, one of the arms will drop automatically to evacuate pedestrians conveniently.

## Product Customization

### ● Customized Functions

- Built-in or external counter
- TCP / IP communication

### ● Gate open button

- External gate open button.
- Install the gate open button with wireless remote control.

### ● Thermostat system

- Under low temperature environment, you can install the thermostats system inside the device.

### ● Materials

- The material of housing can be 316 grade stainless steel, and the thickness of stainless steel can be customized.

### ● System Integration

- Integrate with access control system and built-in reader provided by customers.
- Integrate with visitor access control system.
- Integrate with ticketing system.

### ★ Notes:

- (1) The product design and specifications are subject to change without prior notice. (2) Please contact us directly for special features customization.