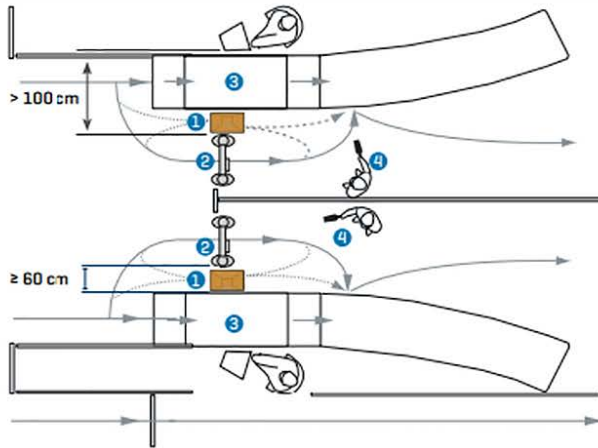


METAL DETECTOR DIVESTING TABLE

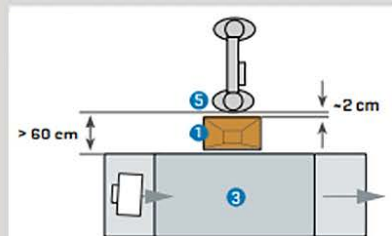
- Certified for Zero-Influence on Metal Detector Gates
- Ergonomic Depository Area
- Robust and Reliable
- Easy to Clean and to Maintain
- Color Matched with the Gate Structure

In combination with Walk-Through Metal Detectors, the Metal Detector Divesting Table is a temporary location of personal metal effects for people to be screened. The base is constructed in material that guarantees maximum compatibility with the Metal Detector.

Installation example



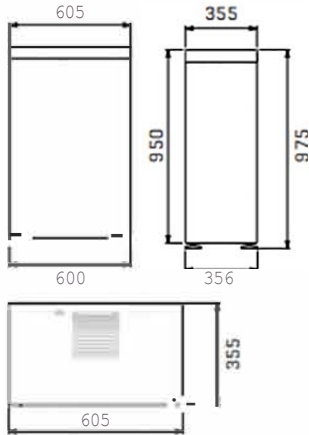
- ① Metal Detector Divesting Table
- f } Walk-Through Metal Detector
- e } X-Ray unit
- c } Hand-Held Metal Detector
- i } Transmitter antenna



Dimensions (mm)

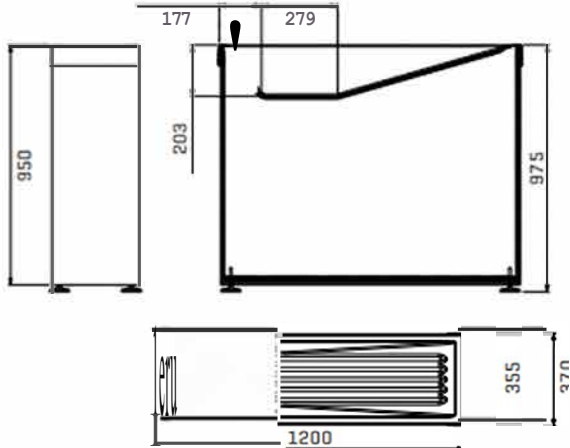
• STANDARD LENGTH: 610 mm

Ordering Code: 1ao7q



• EXTENDED LENGTH: 1200 mm

Ordering Code: 39q91



• OUTDOOR VERSION: 1300 mm

Ordering Code: 67021

