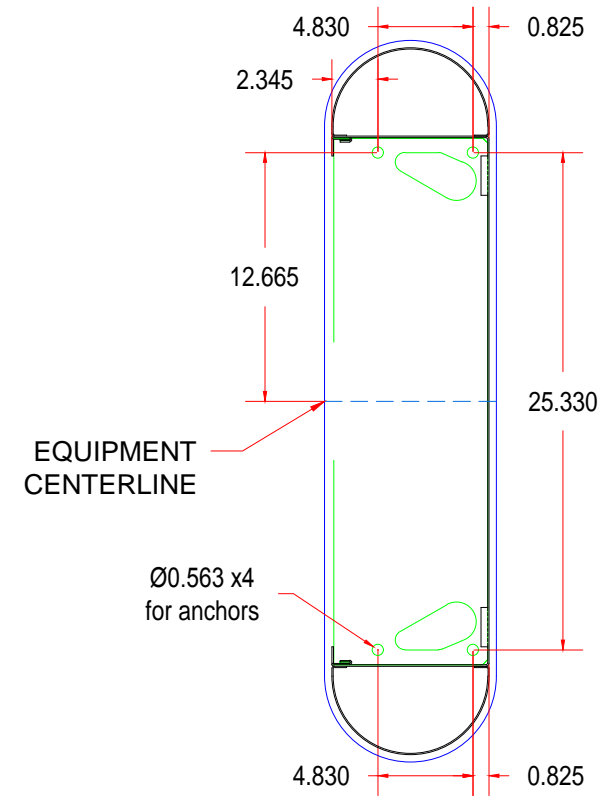
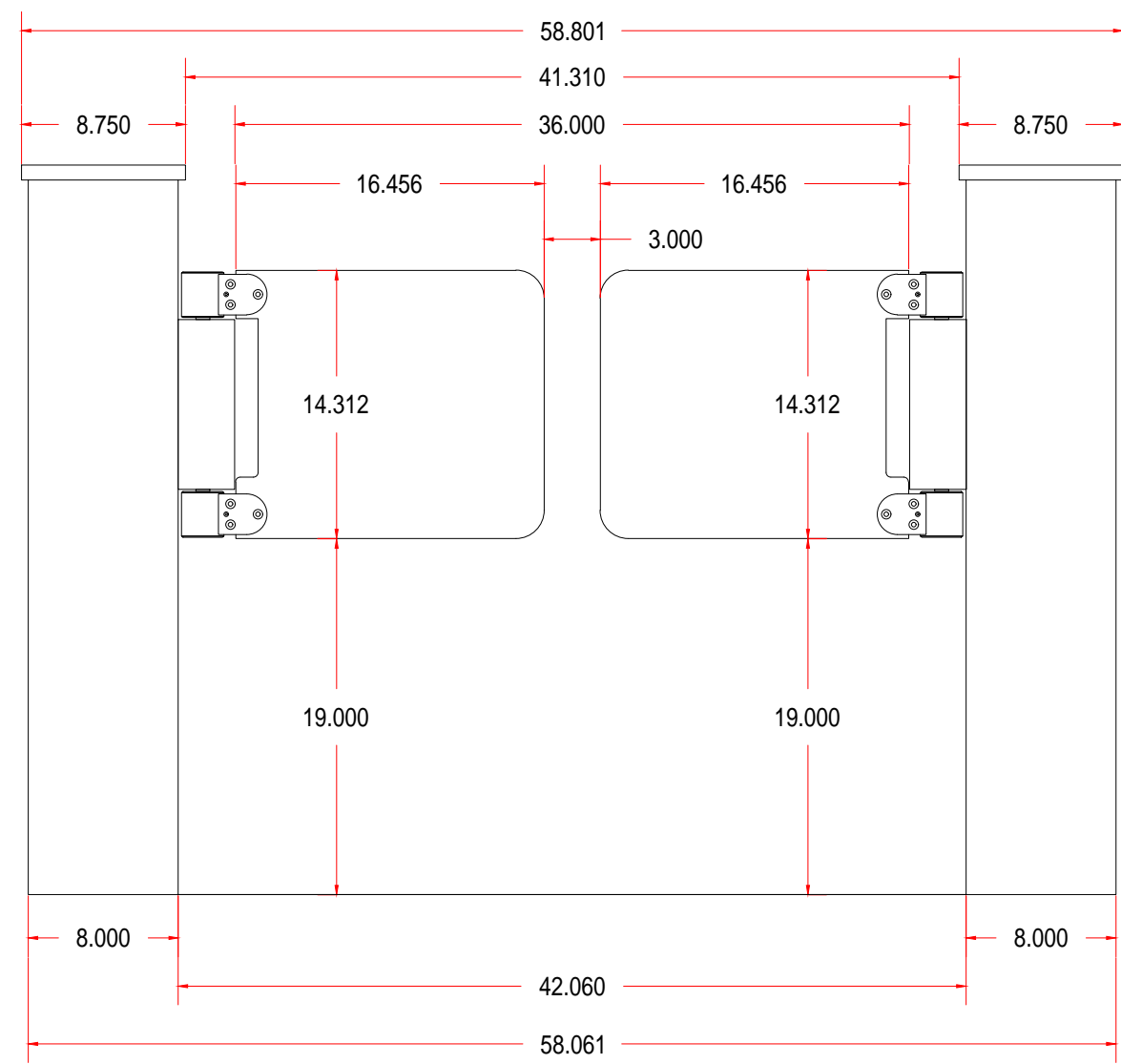


ELEVATION



BASE DETAIL



FLOOR PLAN

FIRST DRAWN	BY
08/02/17	CJC

www.TURNSTILES.us
 8641 South Warhawk Rd. Conifer, CO 80433
 Patrick McAllister Tel: 303-670-1099

EQUIPMENT LOCATION DETAIL	
PARK WEST GALLERY EX 300 SERIES ADA PASSAGE LANE	
DWG	080217 PARK WEST GALLERY ELD.dwg
DATE	08 / 02 / 17
SCALE =	< >
SHEET - 1 OF 1	