

## *Card Reader Pedestals*



### **MODELS 306-6**

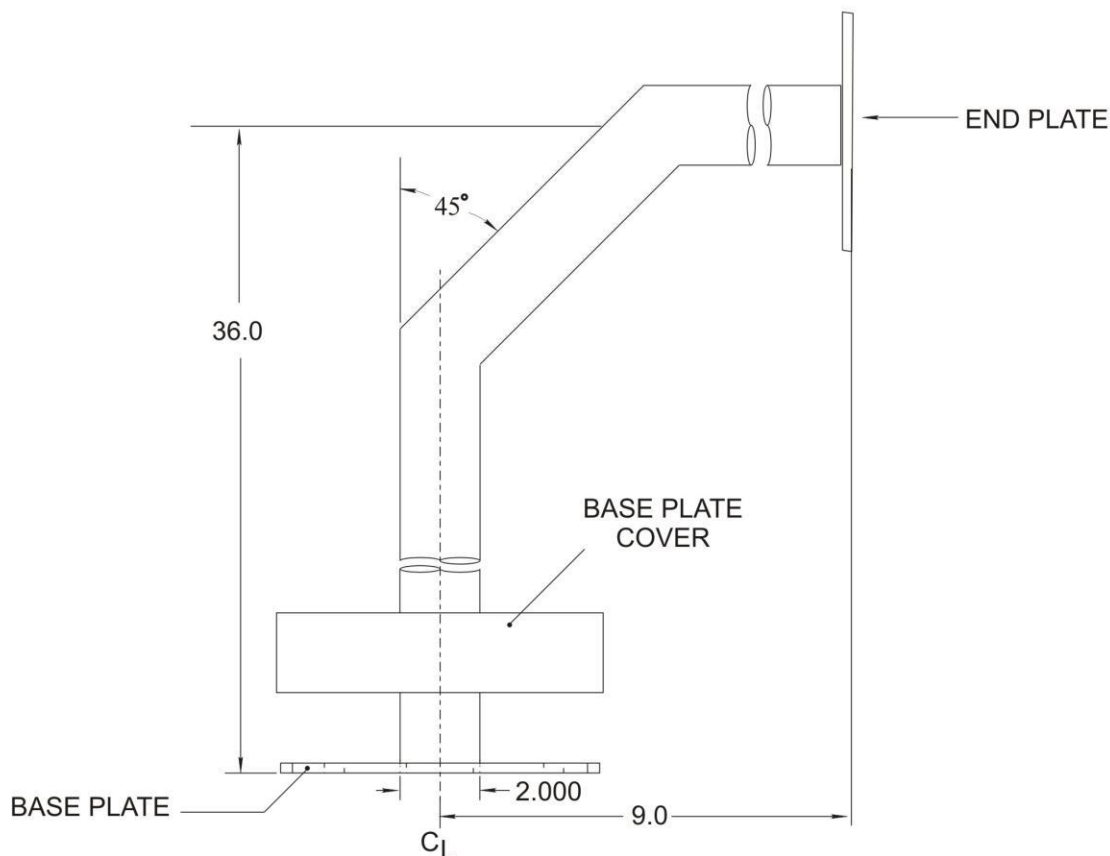
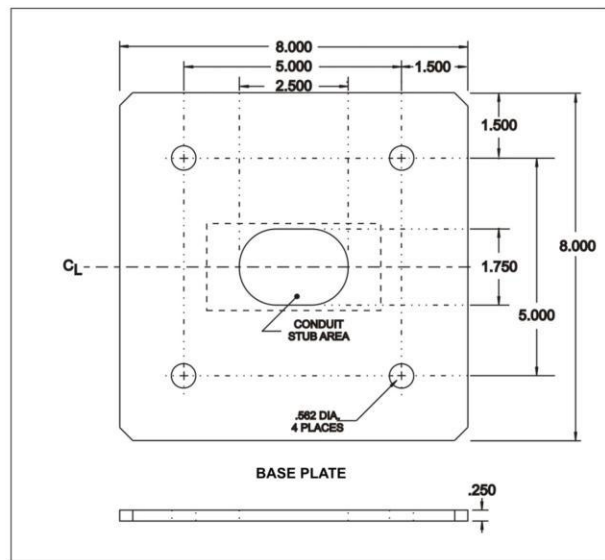
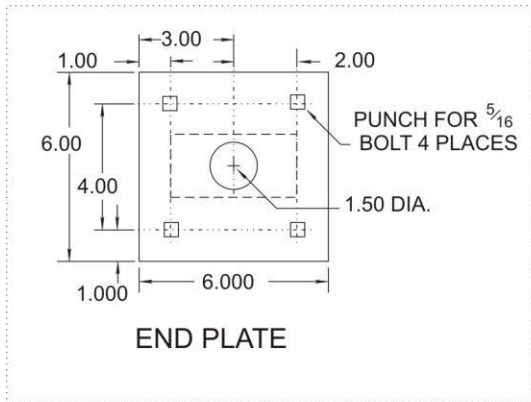
These pedestals are typically used to install card readers or intercoms at drive-up and pedestrian access points. Made of 2" X 4" rectangular steel tubing with a 8" X 8" base plate. A steel base plate cover is provided to conceal the mounting hardware. Housings and adapters are available for these pedestals to accommodate most access control devices such as card readers and intercoms.

**HEIGHT TO CENTER OF MOUNTING PLATE:** 36"

**ARM EXTENSION:** 9"

**MATERIAL:** 2" x 4" Rectangular steel tubing

**FINISH:** White or Black Powder Coat



MODEL 306-6 PEDESTAL GENERAL DIMENSIONS