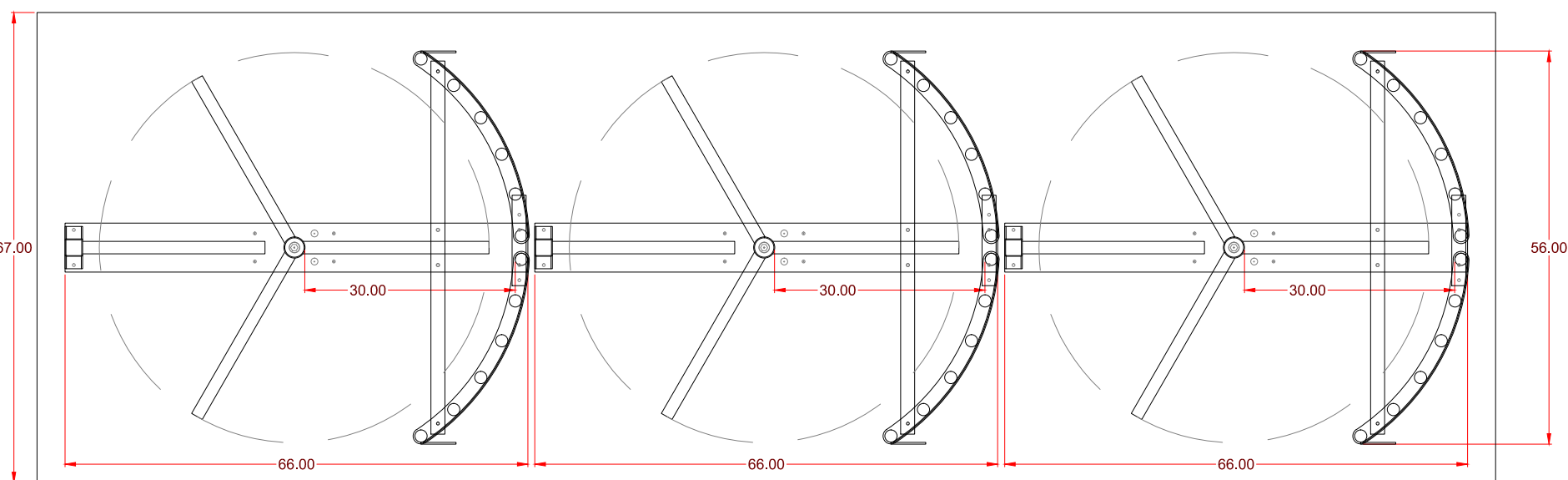
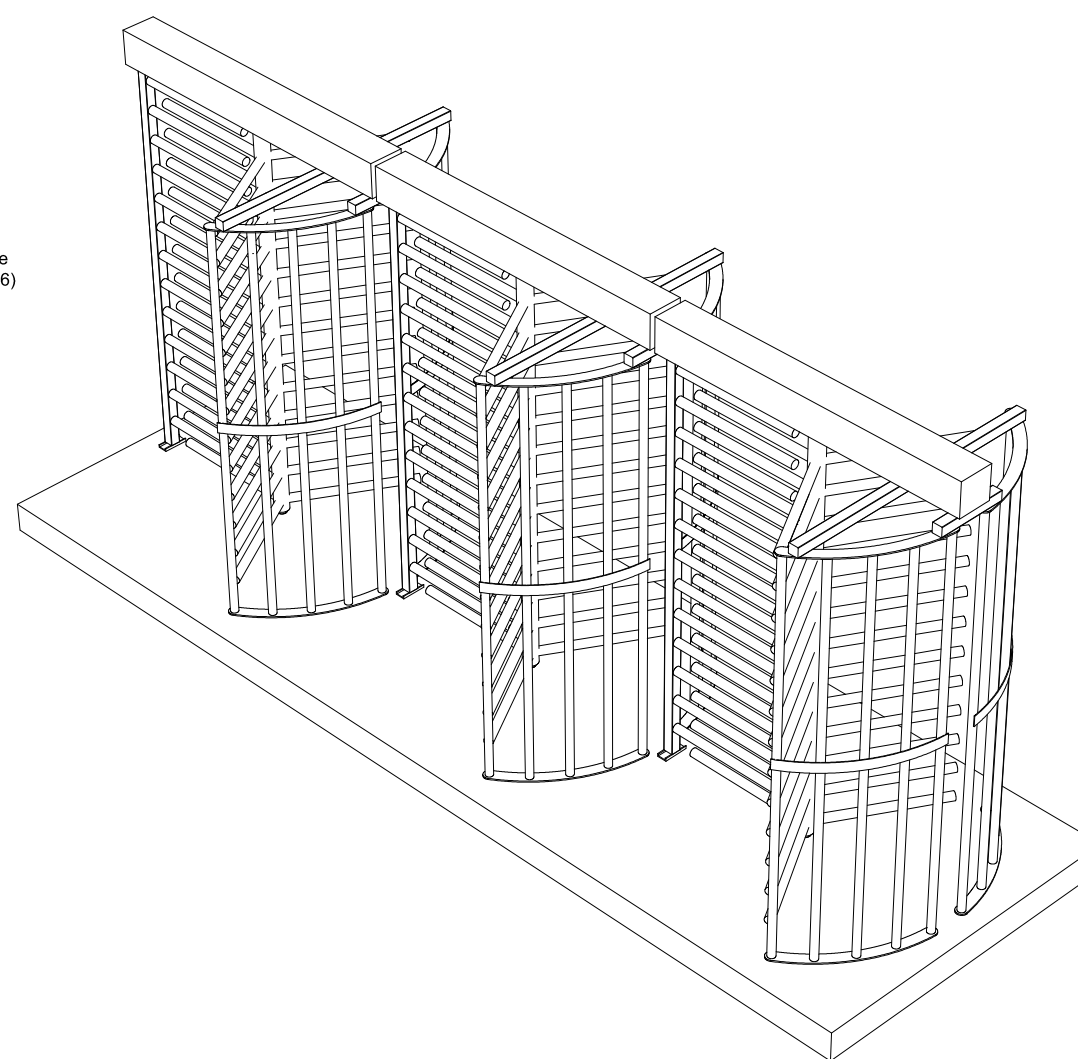
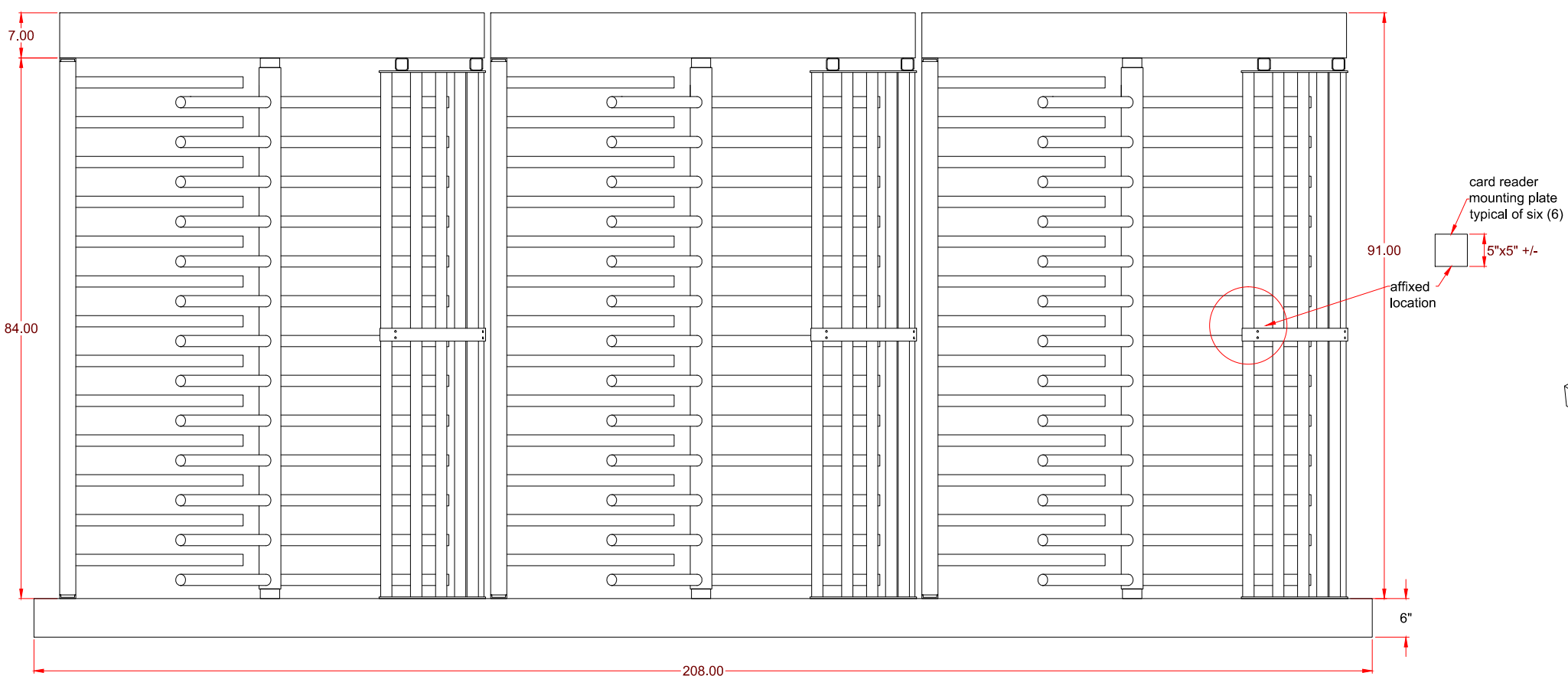
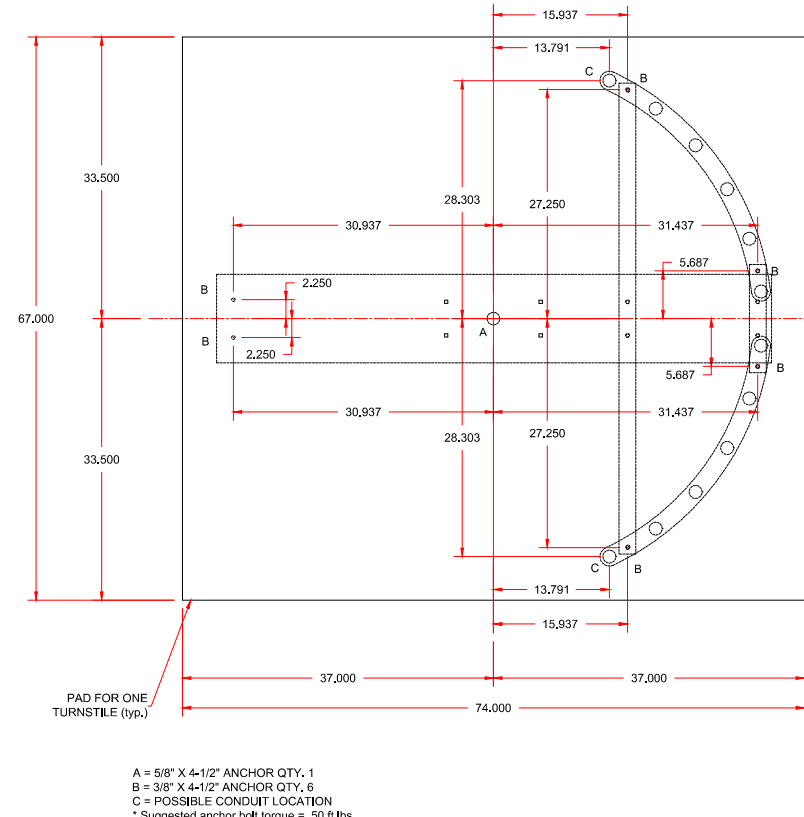


* DIMENSIONS MAY VARY IN ACTUAL INSTALLATION - DESIGN CHANGES RESERVED *

FIRST DRAWN	BY
12/28/16	CJC
REVISED	BY



ANCHOR / CONDUIT DETAIL



WWW.TURNSTILES.US

8641 South Warhawk Rd. Conifer, CO 80433
 Patrick McAllister Tel: 303-670-1099

EQUIPMENT LOCATION DETAIL

E.S. Boulos Company
 Salem Harbor
 HS Series Turnstiles

DWG 122816
 EBS - SALEM HARBOR
 ELD

DATE 12 / 28 / 16

SCALE = < >

SHEET - 1 OF 1

AUTHORIZED SIGNATURE: _____ DATE: ___ / ___ / ___