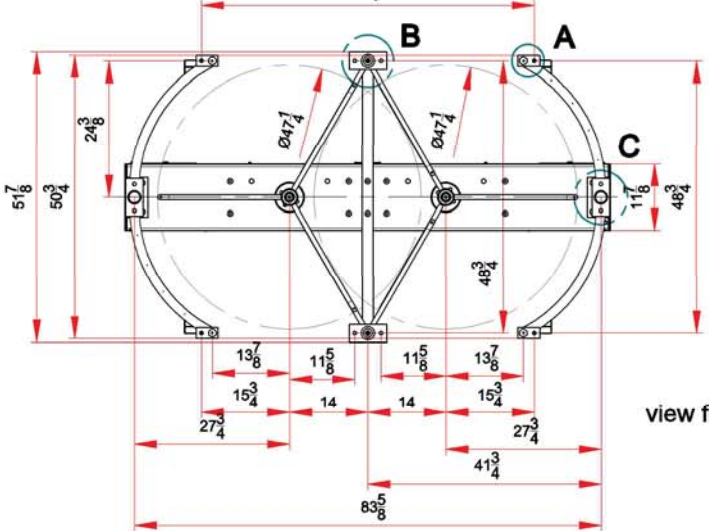
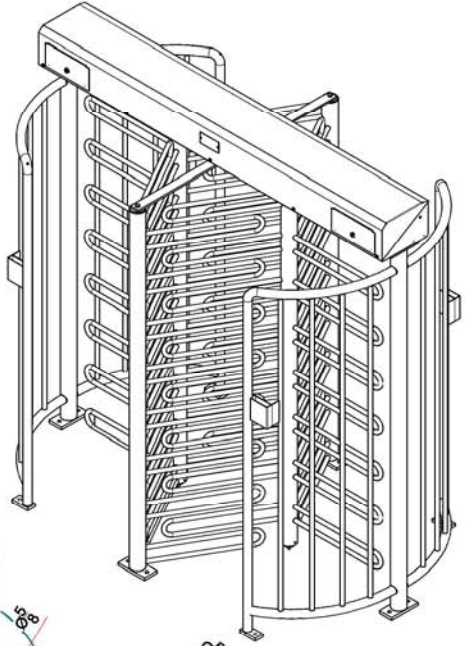
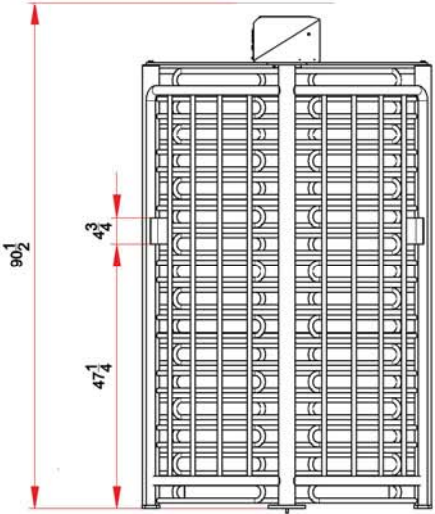
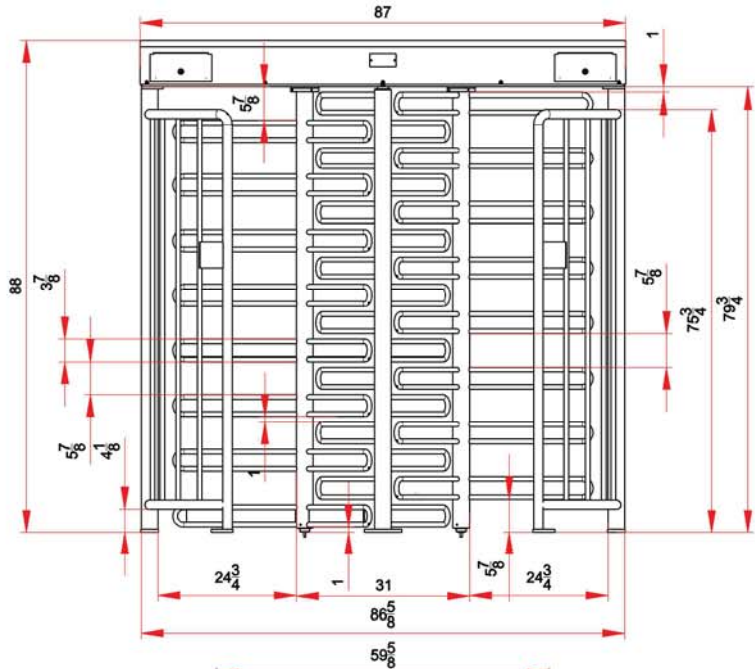
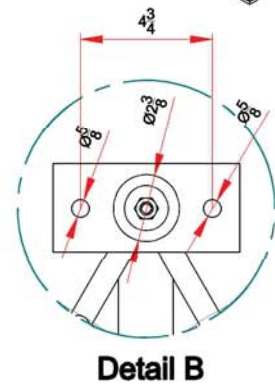


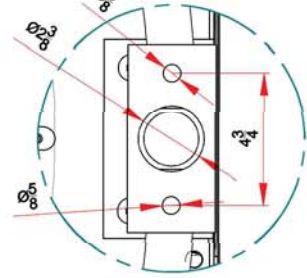
**ATTENTION!**  
 Only use this drawing for quote request.  
 No production according to this document.



Detail A



Detail B



Detail C

view from Bottom

dimension and construction change reserved

MPT53  
 SERIES  
 DIMENSIONS

[www.TURNSTILES.us](http://www.TURNSTILES.us)

8641 South Warhawk Rd.  
 Conifer, CO 80433  
 Patrick McAllister Tel:303-670-1099