



Pedestrian Barriers Retractable

MPR 1
MPR 2

Technical Data:	Type	MPR 1	MPR 2
Magnetic torque drive		SRW	SRW
Torque	ft lbs	1.8	1.8
Opening time	sec.	0.4	0.4
Protection	IP	55	55
Voltage	VAC	115	115
Frecuency	Hz	60	60
Current	A	0.8	0.8
Duty cycle	%	100	100
Built-in thermo protection	°F	212	212
Weight	Lbs	145	180
Lenght	Inches	30 1/2	59

Description

The retractable panel pedestrian barrier is a user friendly access barrier developed for the fast processing of people in areas such as railway platforms, passenger terminals, and sports stadiums.

A modular front panel concept allows adaptation to a large variety of ticket readers for railway station use, as well as customized designs for all sorts of card readers for the security industry. The drive system incorporates a Magnetic Torque Motor with a 100% Duty Cycle and constant torque output. The retractable panels can be made from a variety of materials with 3/4" clear acrylic as standard and a patterned surface as an option.

Technology

The torque drive mechanism operates in conjunction with a single lever arm against the retractable panel, with a speed controlled motion and soft end position approach. The lever arm geometry can be adjusted to lock the panels in the closed position, or alternatively, to allow the panels to open after a specified force is applied. In the event of a power failure the panels may open automatically, but can be specified to remain closed if required for security reasons.

Retractable panel barrier can be operated in either normally open or normally closed mode depending on the application.

Features

The heart of the barrier is the 115V AC 60 Hz Torque Motor. It is 100% duty cycle by design and may be stalled in any position, negating the need for limit switches and slip clutches. This important feature eliminates the initial setting and further maintaining of mechanical slip clutches. This style of motor provides a high level of safety since constant torque output can be set low enough not to harm any person. The motor is continuously powered (low consumption) so the drive system is always warm enough to prevent condensation and corrosion in cold, wet or humid installation environments.

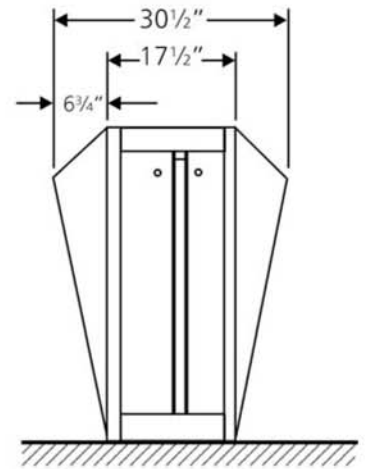
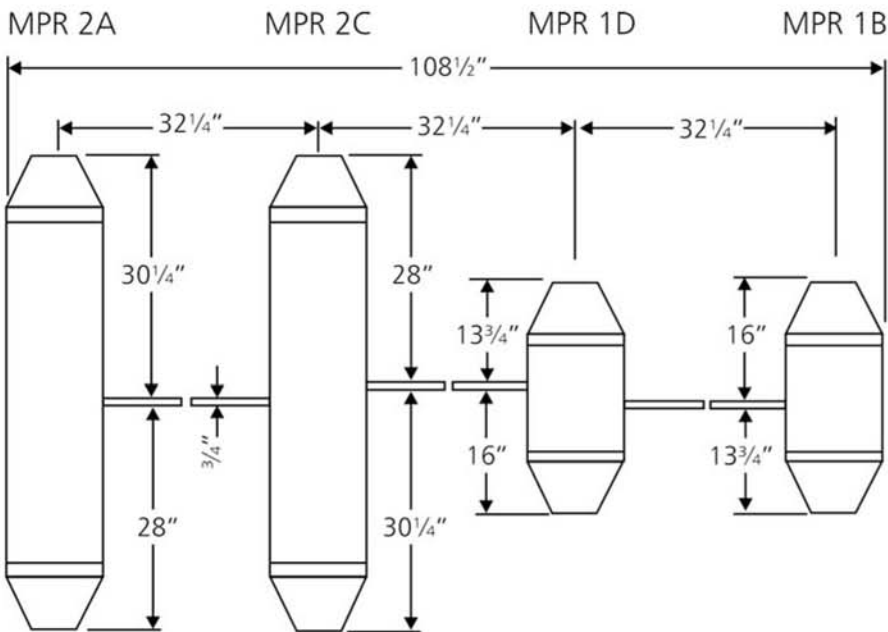
Options

Retractable panel barriers can be operated in either normally open or normally closed mode depending on the application.

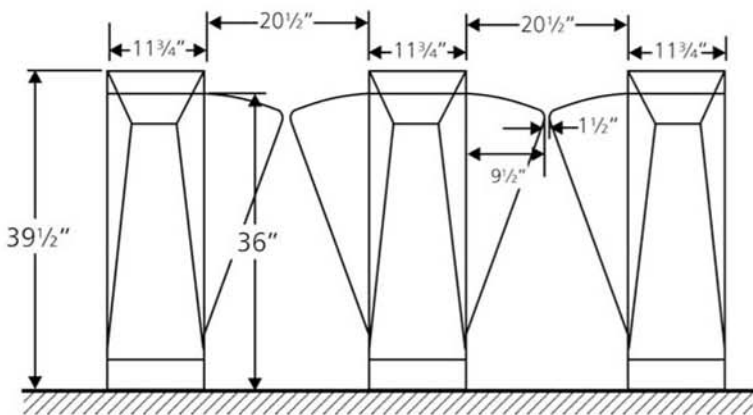
Controllers

The Magnetic MUB controller offers selectable logic settings with LED status and power indicators. Opto isolated inputs and outputs for interfacing with external equipment. Solid state, instant reverse zero volt switching on the output stage. PLC's (Programmable Logic Controllers) can be used as an option

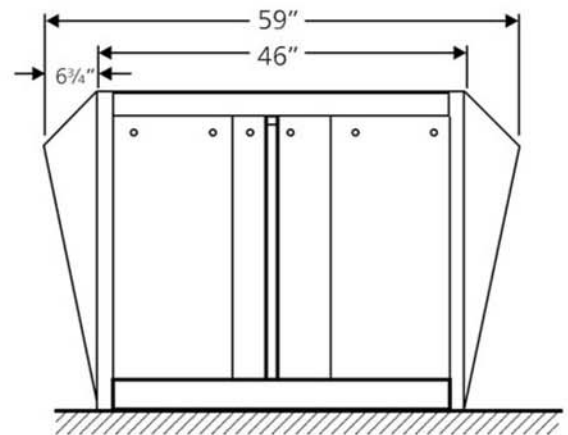
for larger and more complex installations, especially where more sophisticated interfacing, or remote monitoring is required. The custom hardware and software will be designed according to operational requirements.



Dimensions MPR 1



Dimensions MPR 1 / MPR 2



Dimensions MPR 2

Subject to technical modifications.