



Pedestrian Barrier MAGSTOP

Swing Door MPG 12/22

Technical Data:		Type
Voltage		VAC
Frequency		Hz
Current		A
Duty Cycle		%
Protection		IP
Dimensions:	Length	mm
	Width	mm
	Height	mm
Weight:		kg

MPG 12/22	United States Specifications
230	110 Volt
50	60Hz
2.0	
100	
54	Length Inches: 25.39 - 96.77
645 - 2458	Width Inches: 57.12 - 63.89
1451 - 1623	Height Inches: 87.95
2234	Weight Pounds: 551.2
250	

Description

The MPG series of swing doors is designed to control cyclists, wheelchair users or similar user groups. There are two main types of swing doors: The MPG12 which can only be applied in connection with our MPT3x and the MPG22 which is designed as "stand alone" version.

All MPG types can be delivered with or without induction loops. The optionally available induction loops fulfil the function to detect bicycles, wheelchairs or similar. The loops are integrated in plexiglass panels and in the railing required to guide persons. The door movement of both types is 2 x 90° with a speed of 3 sec. approx. Control of the doors is normally realized by means of access control units with or without induction loops, according to the respective requirements. Favourable packing and freight costs are a big advantage of this product which compensates the negligible additional working time at site.

Installation can be carried out either on finished floor or on a foundation frame. Both fixing variants are possible without any modifications at the swing door. Delivery is effected together with fixing material.

Housing

The swing door is delivered in individual components: Cover, upper housing, base for door, door and - with the MPG22 - another base. The drive unit and the control unit MUC are situated in the upper housing and are supplemented by an additional programmable controller (SPS) if the swing door is delivered with induction loops. The swing doors are available in different versions: Steel construction completely hot dip galvanized, galvanized and powder coated in RAL 7042 (standard) or in stainless steel (grade 316) polished. Other RAL-shades are available on request. On stainless steel versions the upper housing is made of 6mm hot dip galvanized steel and powder coated in RAL 9007.

Technology

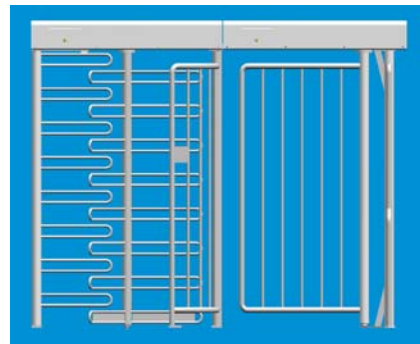
The drive system consists of our well proven motor and gearing technology already known from our turnstiles and is equipped with a respective locking unit. The 3-phase torque motor moves the door with slightest static or dynamic impact power 2 x 90°.

When the door is closed an additional electromechanical locking unit helps to absorb power which may occur, e.g. by vandalism.

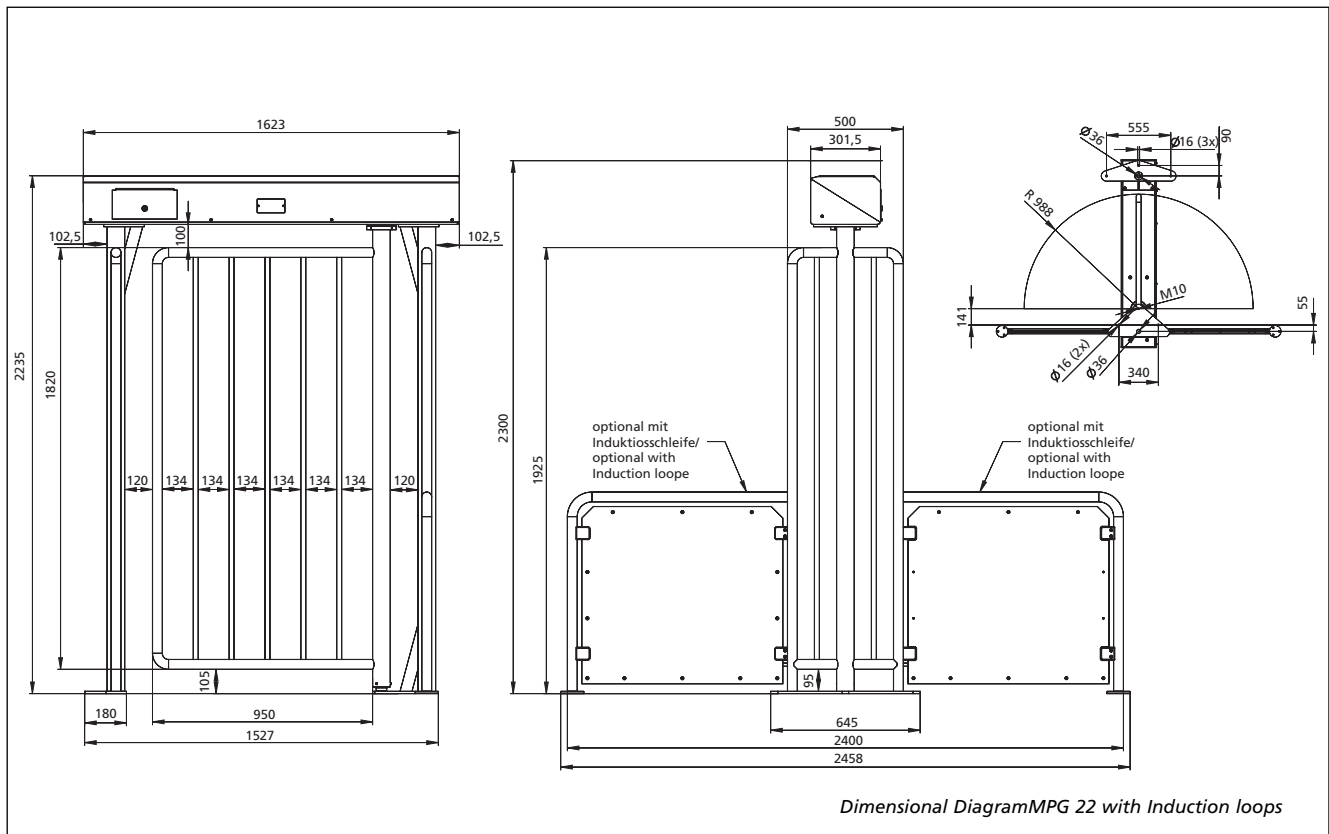
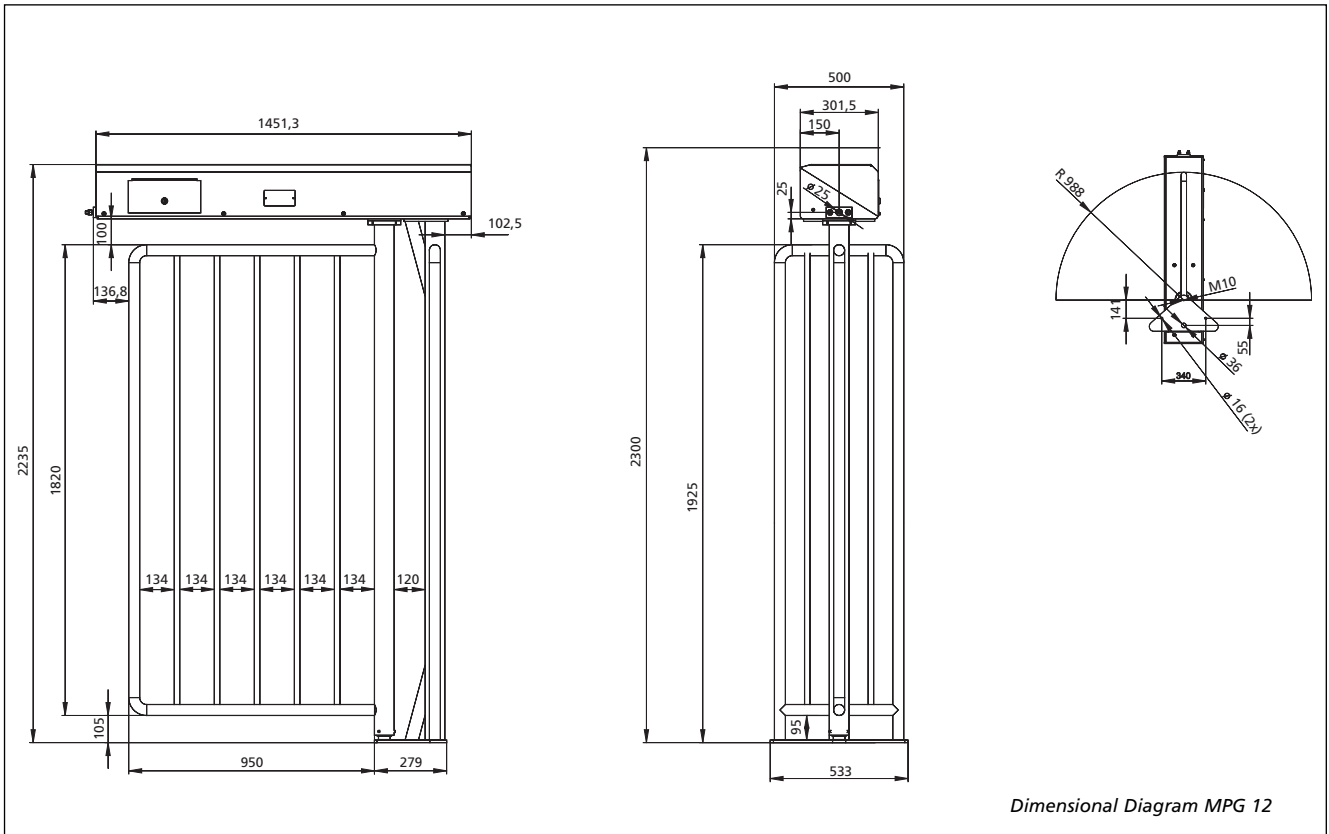
The locking unit is available in two versions: either powerless unlocked or locked. This should be indicated when passing your order.

Optionen

- Induction loops
- Over-climb protection roof
- Lighting
- Foundation frame
- Enclosure to incorporate access control devices



Kombination von MPG 12 mit MPT 3*



<http://www.psinvention.com/zoetic/convert.htm>