

The Brute™ Series Waist-High

Portable • Interior and Exterior Application

BR5500-P

The Brute™ Series units operate reliably with high traffic volumes where cost is an important consideration. Heavy 7-gauge carbon steel cabinets can be interfaced with optional LCD counters, card readers, push button and wireless remotes.



Available as
BR5000-ADA



Available as
bolt down BR5500



We're the #1 Choice of Top Architects, Security Pros and Engineers

For two decades, Controlled Access has been the globally trusted name in pedestrian control equipment. Made in Ohio and shipped worldwide, we are the first choice of leading architects, facility managers, security consultants and engineers. Whether your project requires high security full-height turnstiles, waist-high units, or matching ADA accessible gates, Controlled Access is the secure choice. We're experienced in access control systems, from card readers to biometric scanning, to give you the power to control access.

Standard powder coating color selections:



60%
Gloss Black



60%
Gloss White



RAL 1013
Oyster White



RAL 9007
Grey Aluminum



RAL 5023
Distant Blue



RAL 5010
Gentian Blue



RAL 6002
Leaf Green



RAL 8028
Terra Brown

Additional colors available and can be quoted upon request.

CA CONTROLLED ACCESS, INC.

The Leader in Pedestrian Access Control

1636 West 130th Street | Brunswick, Ohio 44212 | Ph: 330.273.6185 | Fax: 330.273.4468 | Toll-Free Ph: 800.942.0829 | Toll-Free Fax: 800.942.0828

E-mail: sales@controlledaccess.com | www.controlledaccess.com

The Brute™ Series Waist-High

BR5500-P

Portable • Interior and Exterior Application

Applications:

This portable turnstile is made for years of reliable service (and offers many options where cost is an important consideration. It is ideal for public venues such as convention halls, fairs, amusement parks and cafeterias.

Product Features:

Materials and Finishes:

- Lid: Our signature 304 stainless steel / No. 4 satin finish
- Cabinet: Your choice of 8 designer powder coat colors to match any décor. Black is standard. Custom RAL colors can be quoted.

Design & Construction:

- Designed for secure and reliable operation with aesthetics in mind
- Cabinet is constructed with rigid (7 gauge) carbon steel
- Cover is constructed with (16 gauge) 304 stainless steel, No. 4 satin finish
- Arm assembly constructed with 1 5/16" (33mm) diameter, (12 gauge) stainless steel
- Hub 4 1/2" (114mm) o.d. also made from stainless

Operation:

6500 Series Control Head, featuring:

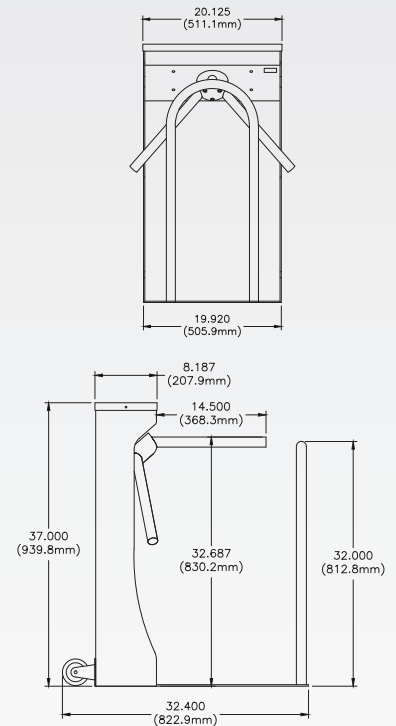
- Auto-indexing (self-centering) with adjustable hydraulic shock suppression
- Hardened tool steel locking bars, cam and roller assemblies
- Permanently lubricated bearings
- Your choice of manual or electronic control on both directions
- Nearly universal integration to any number of access control systems
- Your choice on each electronic direction of locking or unlocking on power failure

Options:

- Bidirectional key overrides
- Daylight visible indicator lights
- 8 digit key resettable LCD counter with seven year lithium battery
- Rubber arm covers
- 12 Ah battery system (2x 12VDC batteries) with 2 amp 24VDC charger with base cover
- Additional options available on request

Warranty:

Units are warranted against defects in materials and workmanship for a period of one year from date of delivery. See warranty information for specific details.



Dimensions are approximate.

Electrical Specifications:

Input Voltage: 100-240 VAC
Input Current: 1.3 - .55 A
Frequency: 50/60 Hz

Storage Temperature: -4 to 158°F
Operating Temperature: 32 to 122°F

Operating Voltage: 24VDC
Operating Current: 1.2 A (typical)


Standards and Codes:


Austenitic stainless steel:
ASTM A240, A249, A276

Hot rolled steel:
AISI C-1020, AISI C-1018

All fasteners provided meet IFI ANSI/
ASME Fastener Standards

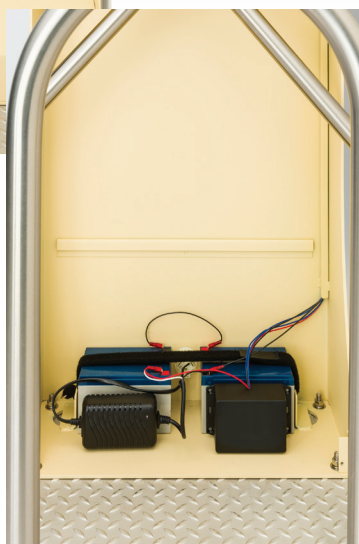
American Welding Society (AWS)
Standard D 1.1

RECOGNIZED COMPONENT

Intertek
4008027
The 6500 series control head is certified to conform to the following standards: UL Standard 326, UL Subject 2593 and CSA Standard C22.2 #247

CERTIFIED QUALITY

9001-2008
CONTROLLED ACCESS
Controlled Access, Inc. is a registered ISO 9001:2008 company



Optional battery back-up available



Have an older style Brute cabinet that you need to match?
Just ask!

 CONTROLLED ACCESS, INC.

The Leader in Pedestrian Access Control

1636 West 130th Street | Brunswick, Ohio 44212 | Ph: 330.273.6185 | Fax: 330.273.4468 | Toll-Free Ph: 800.942.0829 | Toll-Free Fax: 800.942.0828

E-mail: sales@controlledaccess.com | www.controlledaccess.com