



Tripod Turnstile

CPW-312AM

Product Manual V3.2

Contents

| | |
|-----------------------------|---|
| Product Description..... | 1 |
| Structure Chart | 2 |
| Dimension Figure | 2 |
| Product Parameters | 3 |
| Product Function | 3 |
| Product Customization | 3 |

Product Description

Vertical tripod turnstile CPW-312AM is light and beautiful, simple and fashionable; the housing made of stainless steel is durable; the mechanism modules are pure mechanical structures, with low-power consumption, energy conservation and environment protection.

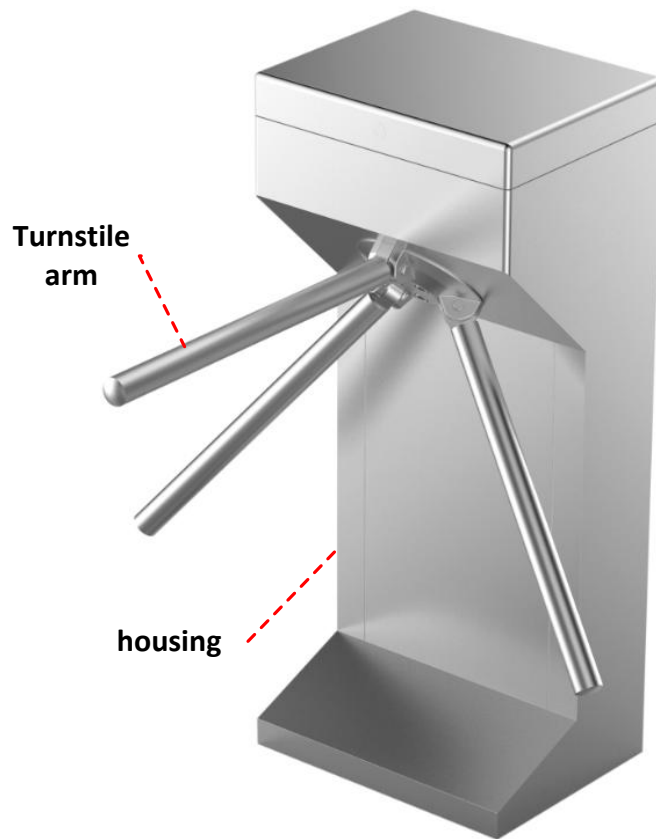
Feature

- ✧ Excluding electrical structure and there is no power supply, pedestrians need to manually push the arms to pass through.
- ✧ Achieve single-user throughput. Safe and reliable.
- ✧ With the strong waterproof, dust-proof ability and environmental adaptability, the turnstile is suitable for indoor and outdoor applications.

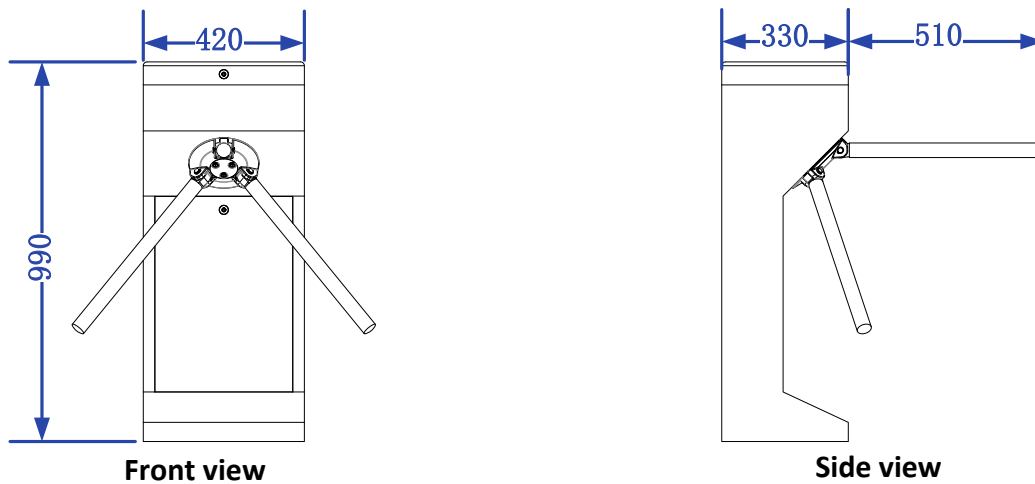
Occasion Applications

Suitable for commercial buildings, airports, train stations, exhibition halls, tourist attractions, residential communities etc.

Structure Chart



Dimension Figure (Unit: mm)



Product Parameters

| Structure Parameters | |
|------------------------------|--|
| Housing material | 304 grade stainless steel |
| Surface treatment | Brushed finish |
| Turnstile arms material | 304 grade stainless steel |
| Technical Parameters | |
| Normal throughput capacity | 20 ~ 35 people / min (according to the condition of pedestrians) |
| Evacuate throughput capacity | 60 people/min (according to the condition of pedestrians) |
| Operation temperature | - 20°C~60°C |

Product Function

● Basic Function

- **Passing mode switching function:** Free passing for signal direction while another direction is forbidden to pass; the passing direction can be adjusted for entry and exit.
- **Automatic reset function:** When pedestrians have finished passing through the turnstile, the arms will return to the hindered zero position automatically.
- **Manually dropping-arms:** Open the turnstile maintenance door and press the snap, one of the arms will drop down automatically so as to evacuate pedestrians conveniently, which meets the firefighting requirement.

Product Customization

● Customized Functions

- Passing indication function.

● Materials

- The material of housing can be 316 grade stainless steel, and the thickness of stainless steel can be customized.

★ Notes:

- (1) The product design and specifications are subject to change without prior notice. (2) Please contact us directly for special features customization.