

T-2000 Series Self Closing Swing Gates



SCOPE OF OPERATION

- Mechanical and electric locking swing gates are a popular alternate to turnstiles, to control how customers enter and exit your premises. The added security of new electric locking and unlocking gates has opened up new applications. Mechanical and electric locking gates come standard with an emergency break away feature that allows them to meet any building and fire code regulations.

MATERIALS

All materials meet the ASTM standards as set forth by the materials industry.

- The gate post is constructed out of 14 gauge DOM tube.
- Electric and mechanical breakaway mechanisms are made with all heat treated component parts.
- Arm closing: controlled by shock absorber, for soft opening and closing.
- Adjustable top cap assembly for speed closing control.
- Standard gate arm lengths for ADA compliance.
- Complete with white ABS sign panel and channels.
- Anchor bolts are hidden by a cover which snaps over the floor mounting flange.
- Custom gate arm lengths can be fabricated.

FINISHES

- Bright chrome finish
- Satin chrome finish

T-2000 Series Self Closing Swing Gates

OPERATION

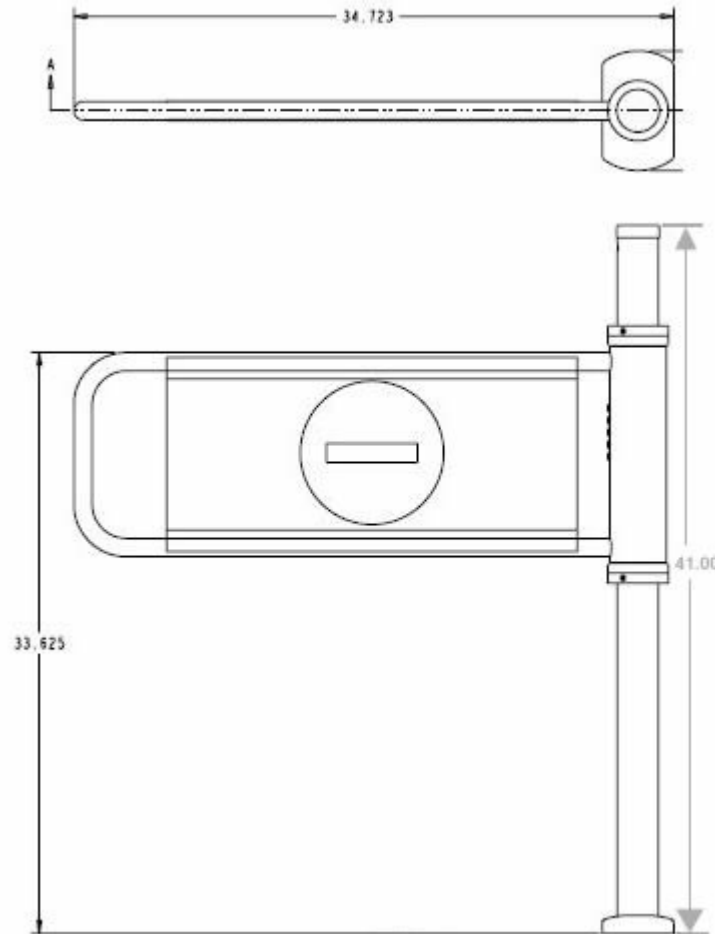
- Allows for Left hand or Right hand operation. The direction is set during fabrication.
- Panic breakaway provides an exit path in case of emergency.
- Panic breakaway in exit or entry operation. The direction is set during fabrication.
- One way passage only.
- Available electric locking or unlocking, this is set during fabrication.
- Adjustable hydraulic speed control.
- 24 volt operation system.
- Adjustable time out delay.
- In the electric version, activation is achieved by supplying a dry contact input or 12 volt pulse, either through a push button, access control software or photo eye sensor.

OPTIONS (Electric Version Only)

- Push Button override
- Photo eye sensor
- Computer interface
- Universal or custom signage available.

T-2000 Series Self Closing Swing Gates

ELEVATION DIAGRAM



T-2000 Series Self Closing Swing Gates

FLOOR PLAN

