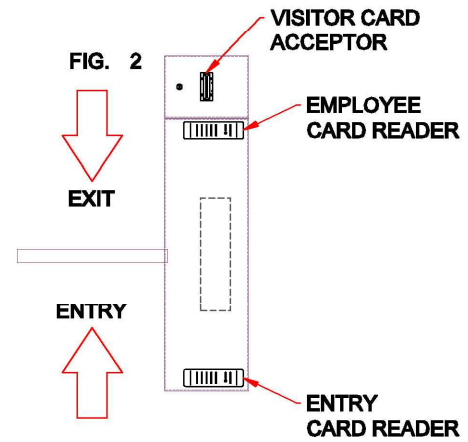
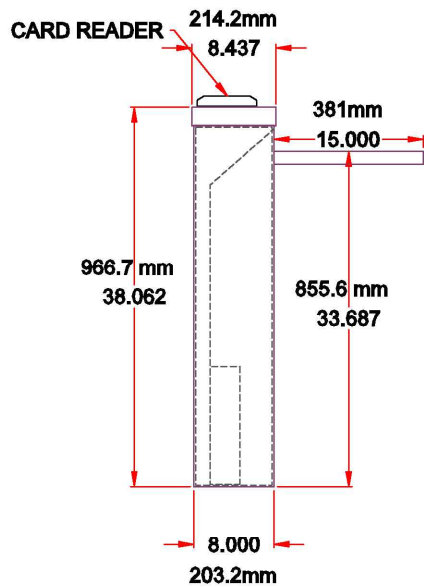


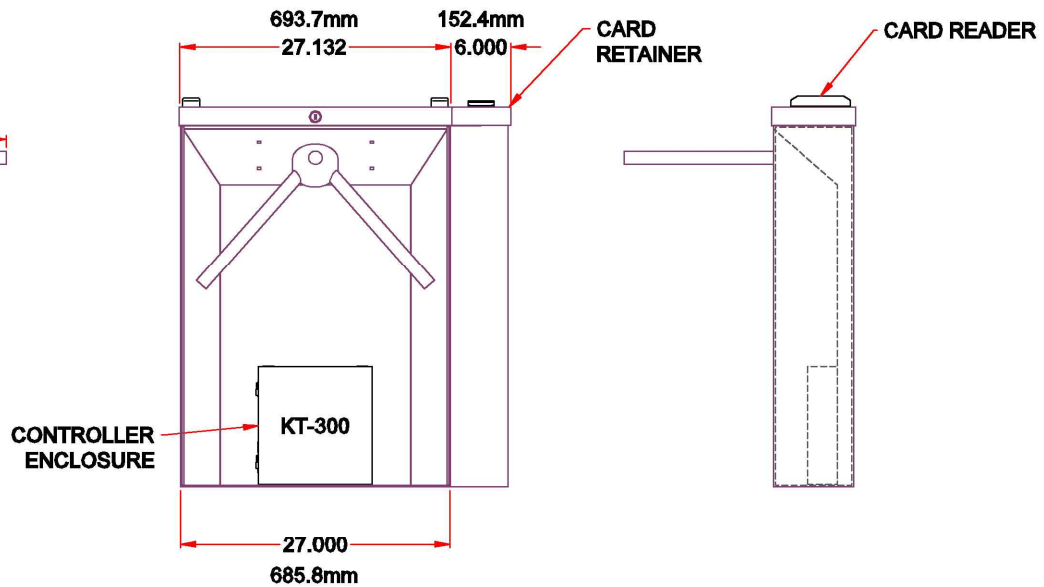
AUTHORIZED VISITORS WILL EXIT  
USING CARD RETAINER WITH  
READER BUILT IN (in design)



FOOT PRINT  
WH5500-S - TWO WAY



LEFT



ELEVATION FIG. 1  
WH500-S - TWO WAY

RIGHT

DIMENSIONS MAY VARY SLIGHTLY IN  
ACTUAL INSTALLATION  
Fabrication changes reserved.

WH-500 w/ KT-300

[www.TURNSTILES.us](http://www.TURNSTILES.us)

8641 South Warhawk Rd. Conifer, Colorado 80433

Patrick McAllister Tel: 303-670-1099

AUTHORIZED ENTRY WILL BE GAINED USING CARD READERS

FIG. 1

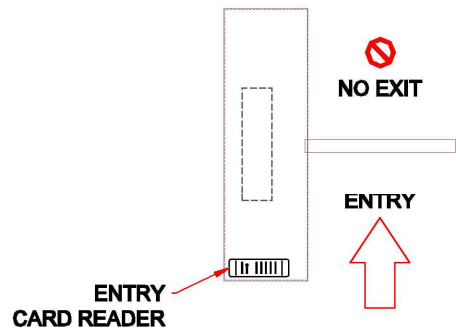
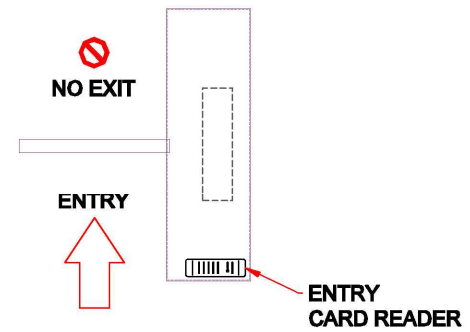
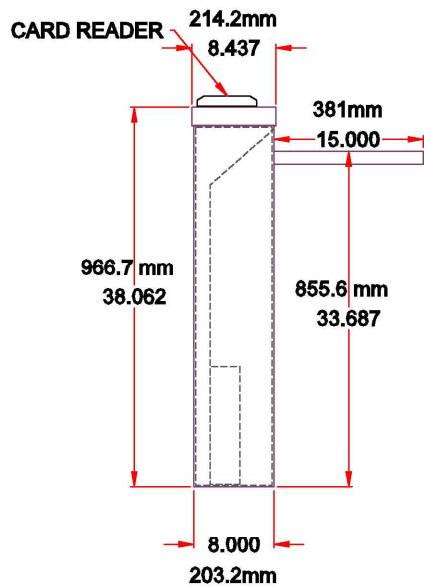


FIG. 2

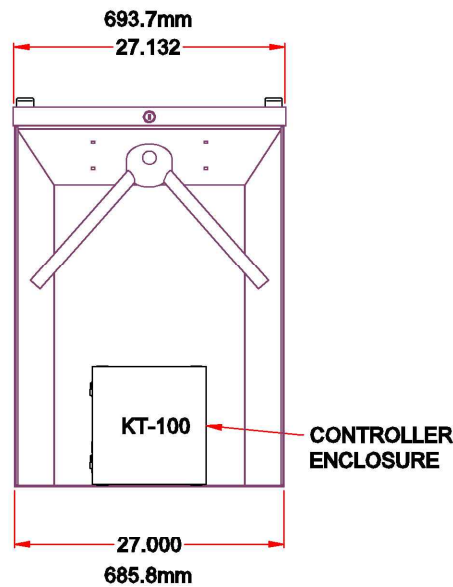


FOOT PRINT  
WH5500-S - ONE WAY

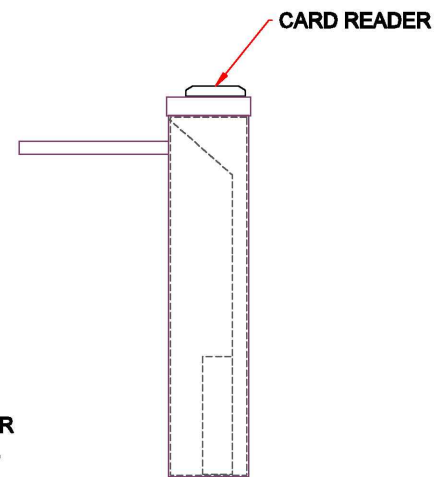
READER TO BE INSTALLED ON OTHER SIDE OF TURNSTILE  
IF ORIENTATION IS REVERSED



LEFT



ELEVATION  
WH500-S - ONE WAY - ENTRY ONLY



RIGHT

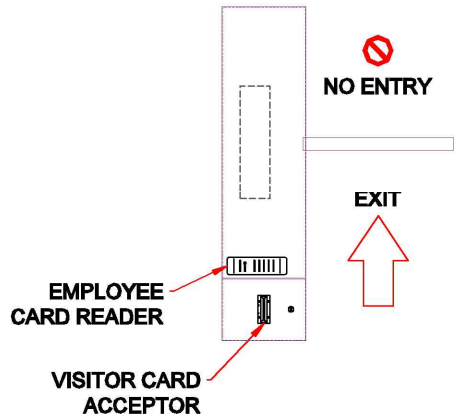
DIMENSIONS MAY VARY SLIGHTLY IN  
ACTUAL INSTALLATION  
Fabrication changes reserved.

WH-500 w/ KT-100

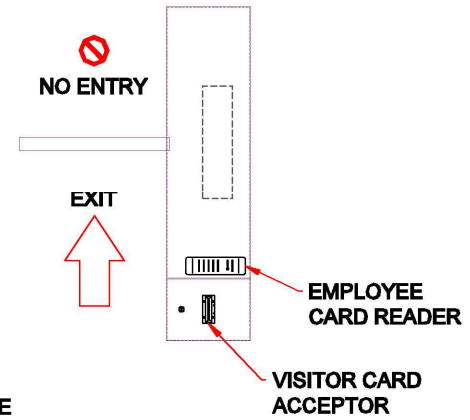
**www.TURNSTILES.us**  
8641 South Warhawk Rd. Conifer, Colorado 80433  
Patrick McAllister Tel: 303-670-1099

**AUTHORIZED VISITORS WILL EXIT  
USING CARD RETAINER WITH  
READER BUILT IN (in design)**

**FIG. 1**

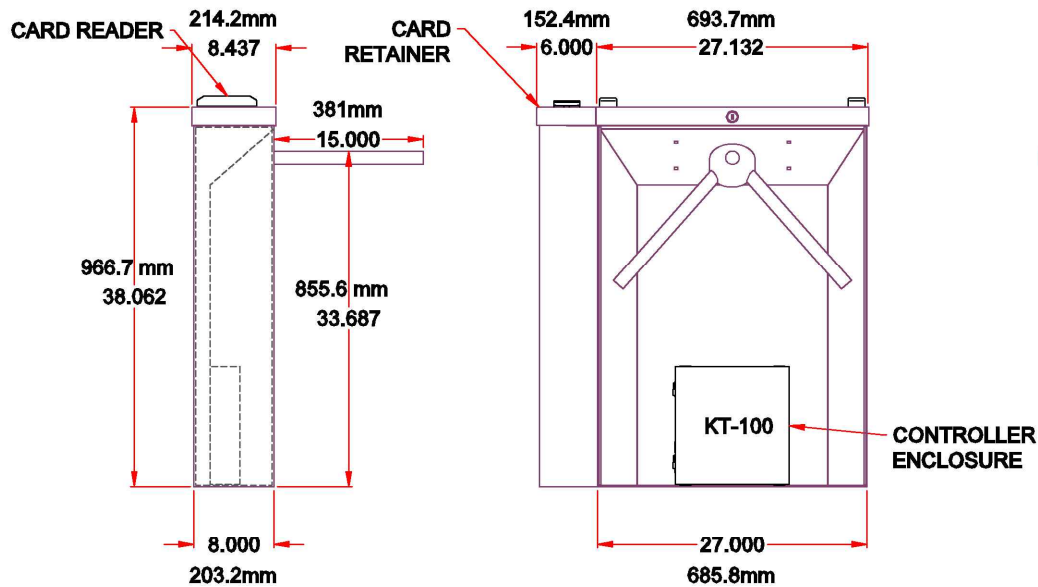


**FIG. 2**



**FOOT PRINT  
WH5500-S - ONE WAY**

**READER TO BE INSTALLED ON OTHER SIDE OF TURNSTILE  
IF ORIENTATION IS REVERSED**



**LEFT**

**ELEVATION FIG. 1  
WH500-S - ONE WAY - EXIT ONLY**

**RIGHT**

**DIMENSIONS MAY VARY SLIGHTLY IN  
ACTUAL INSTALLATION  
Fabrication changes reserved.**

**WH-500 w/ KT-100**

**www.TURNSTILES.us**  
8641 South Warhawk Rd. Conifer, Colorado 80433  
Patrick McAllister Tel: 303-670-1099