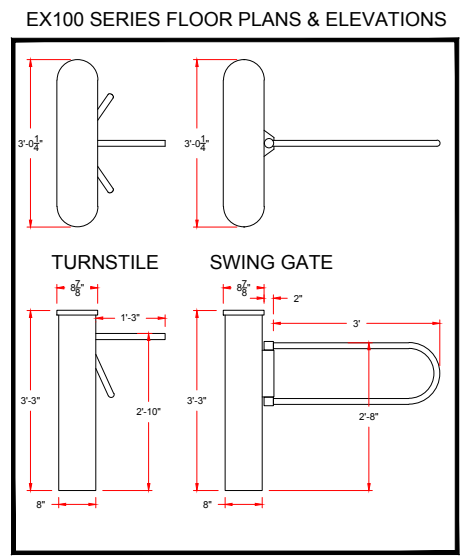
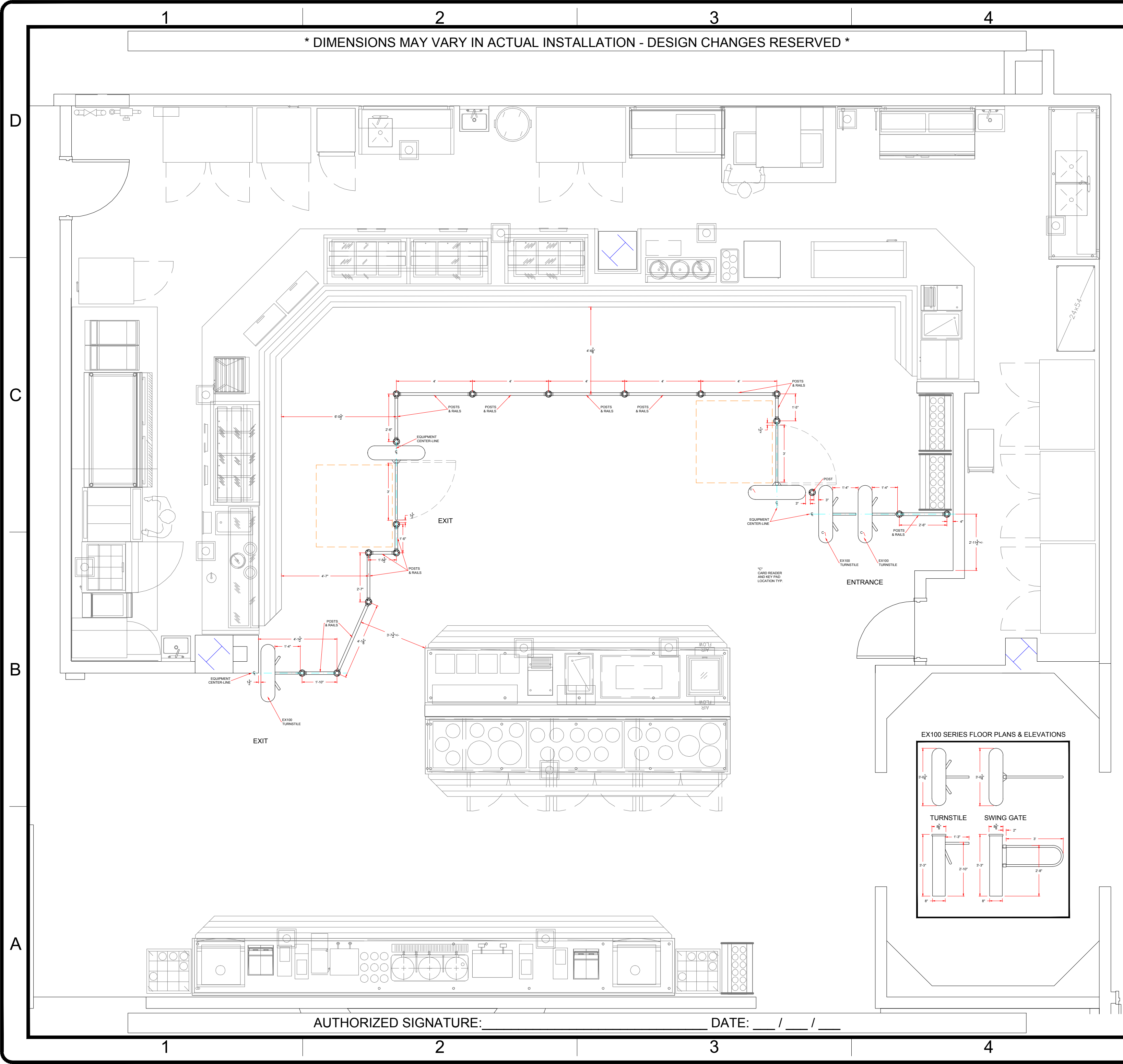


* DIMENSIONS MAY VARY IN ACTUAL INSTALLATION - DESIGN CHANGES RESERVED *

FIRST DRAWN	BY
01/05/17	CJC
REVISED	BY
01/10/17	CJC
01/18/17	CJC

www.TURNSTILES.us
 8641 South Warhawk Rd. Conifer, CO 80433
 Patrick McAllister Tel: 303-670-1099



AUTHORIZED SIGNATURE: _____ DATE: ___ / ___ / ___

EQUIPMENT LOCATION DETAIL	
Mangia Club EX100 SERIES Posts & Rails	
DWG	011817 Mangia Club ELD REV B
DATE	01 / 18 / 17
SCALE =	< >
SHEET - 1 OF 1	