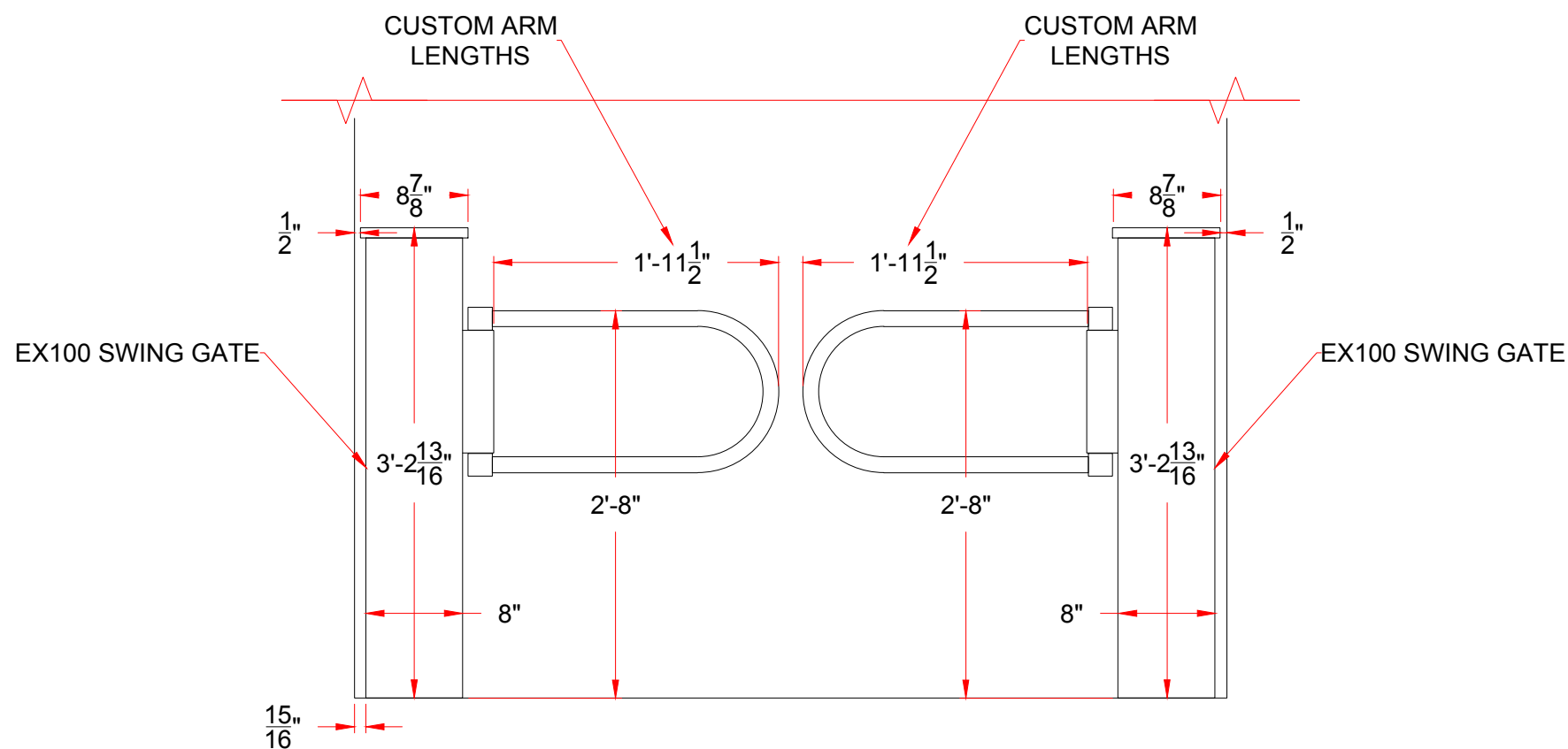
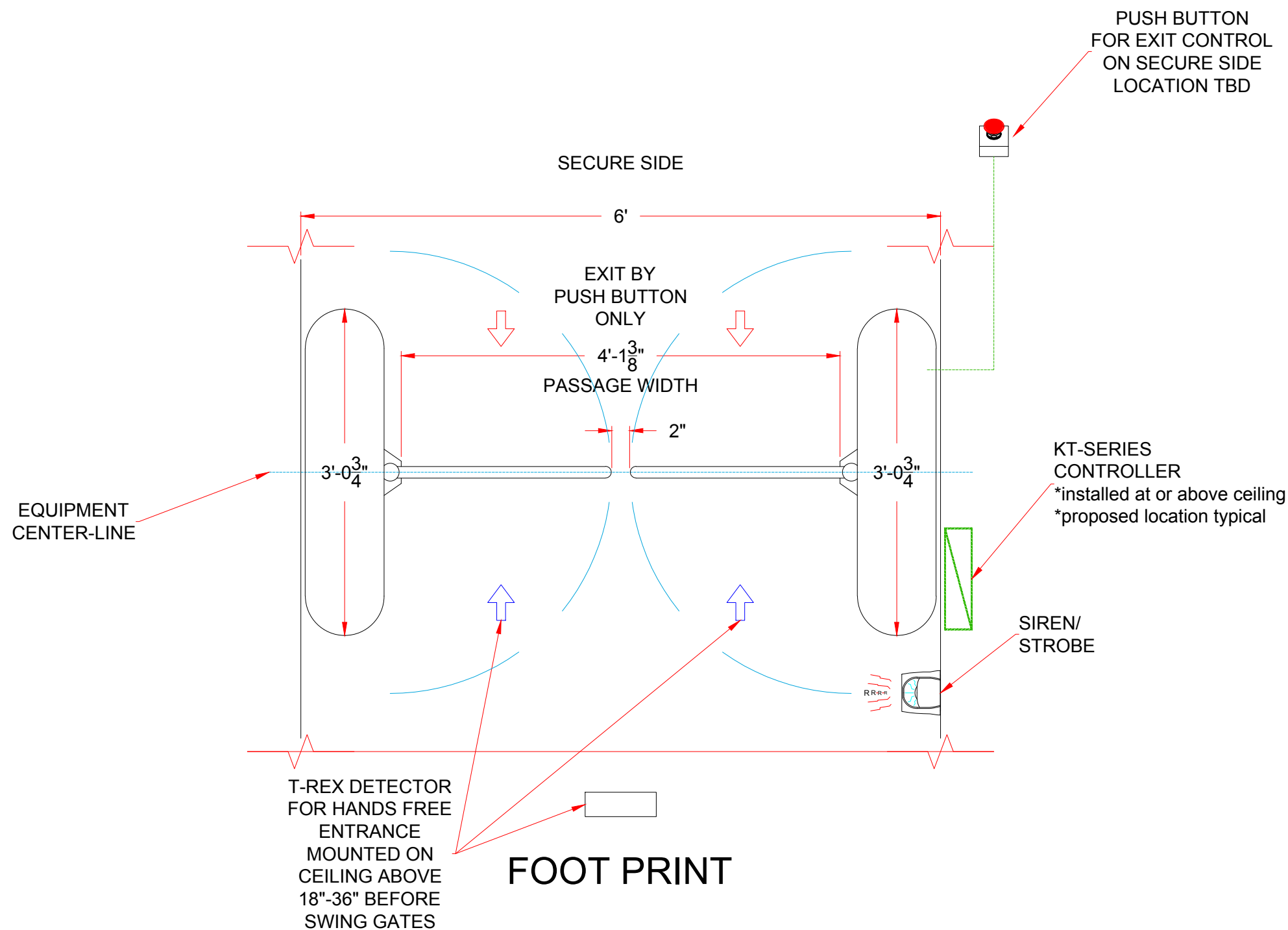


\* DIMENSIONS MAY VARY IN ACTUAL INSTALLATION - DESIGN CHANGES RESERVED \*



ELEVATION



FOOT PRINT

AUTHORIZED SIGNATURE: \_\_\_\_\_ DATE: \_\_\_ / \_\_\_ / \_\_\_

FIRST DRAWN	BY
11/04/16	CJC
REVISED	BY

**WWW.TURNSTILES.US**

8641 South Warhawk Rd. Conifer, CO 80433

Patrick McAllister Tel: 303-670-1099

EQUIPMENT LOCATION DETAIL

LAWRENCE DOORS  
JOHN MORENO  
EX100 SERIES  
SWING GATES

DWG 110416  
LAWRENCE DOORS  
ELD

DATE 11 / 04 / 16

SCALE = < >

SHEET - 1 OF 1