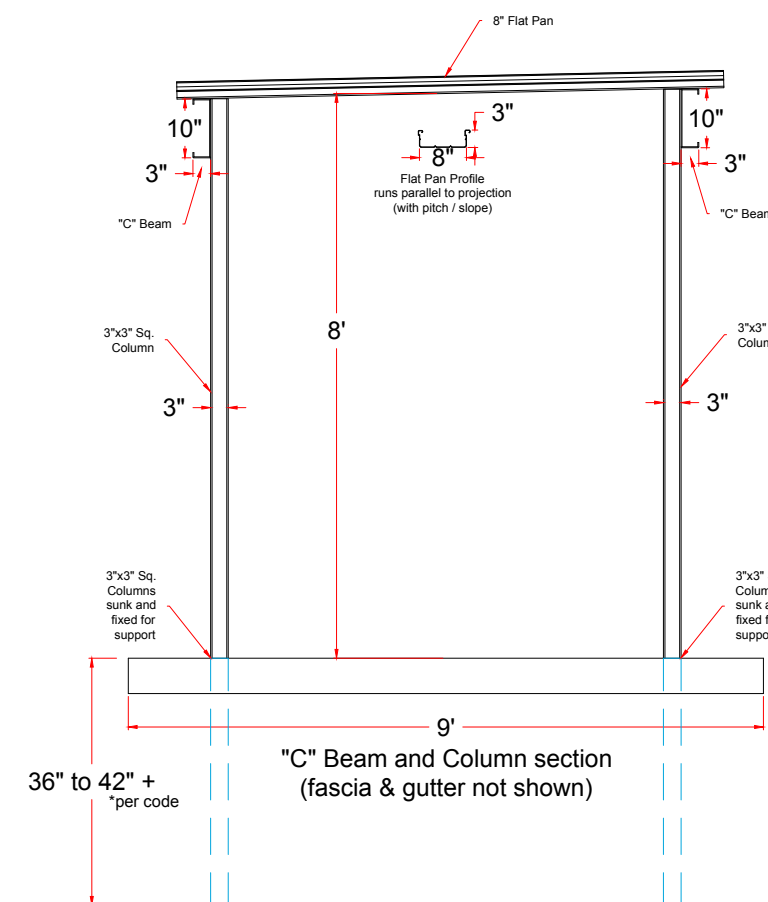
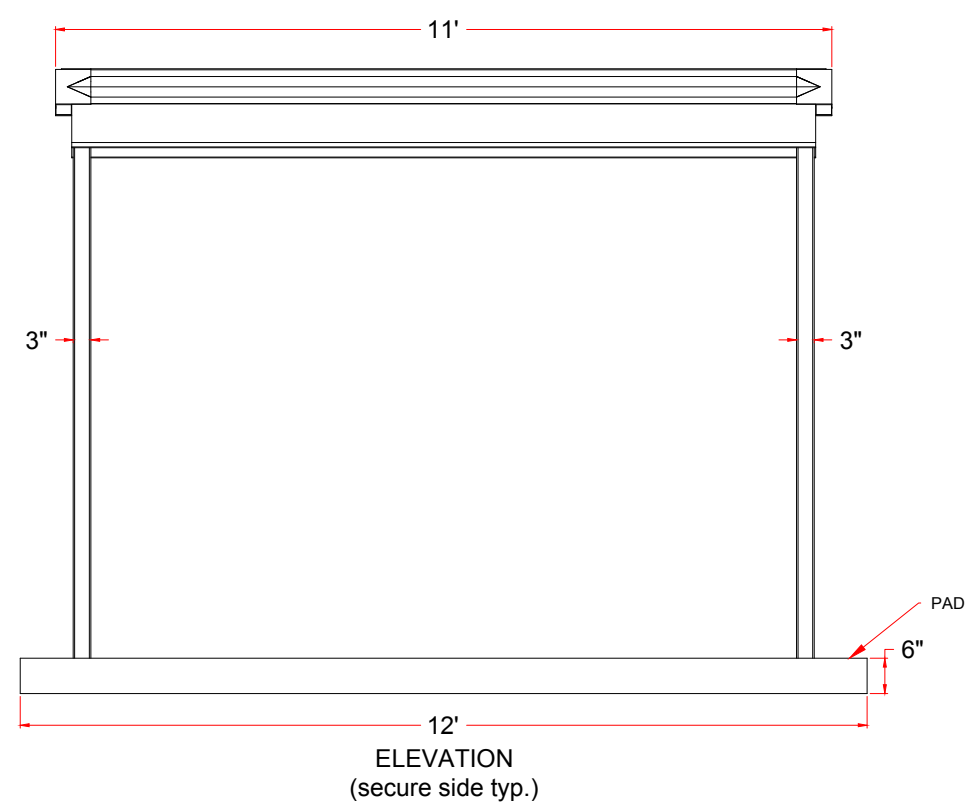
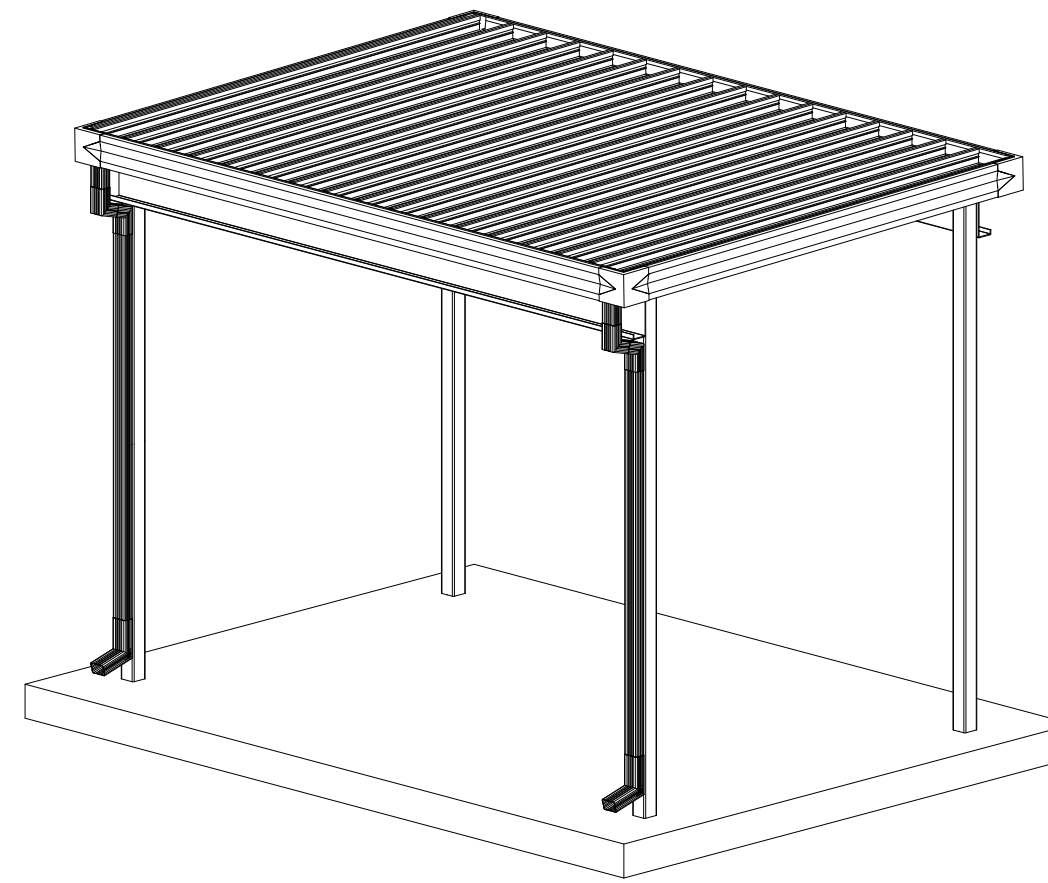
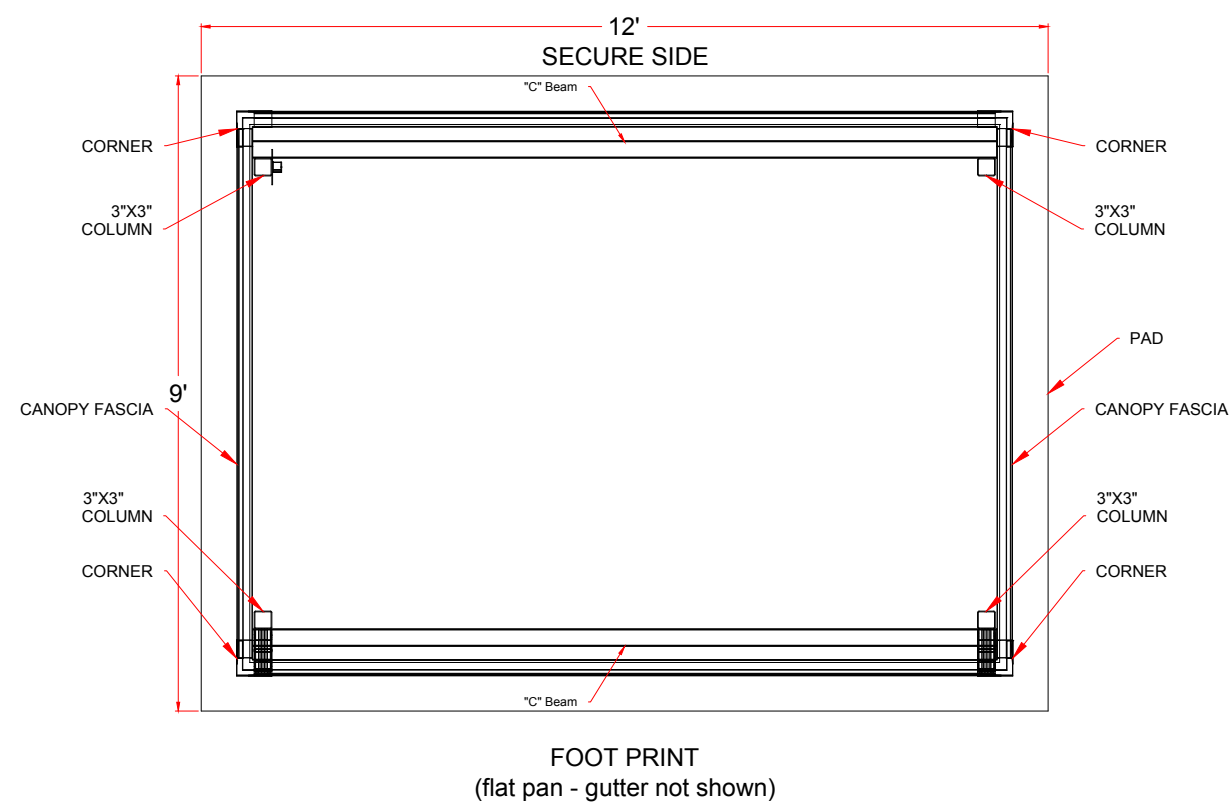
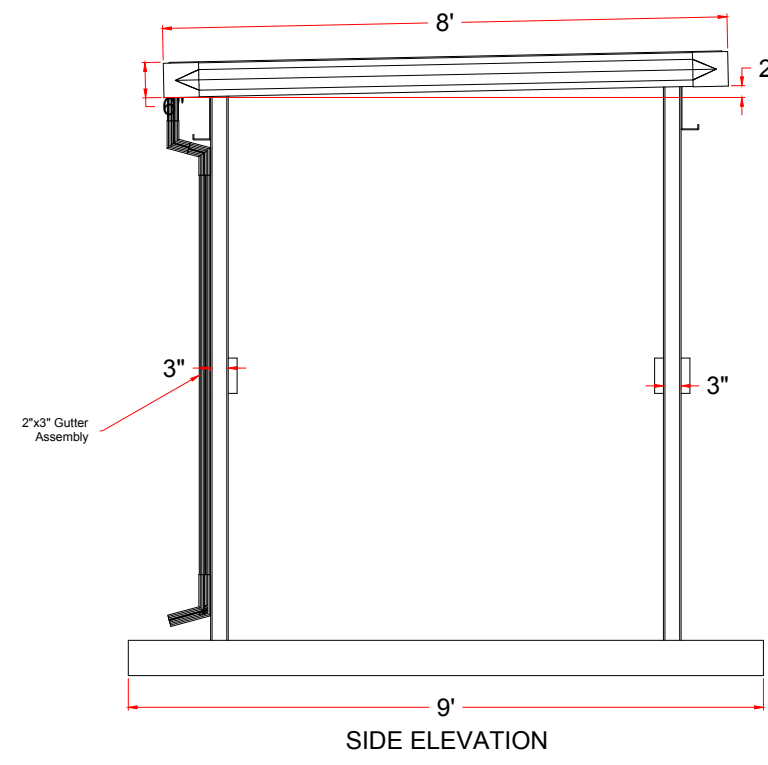
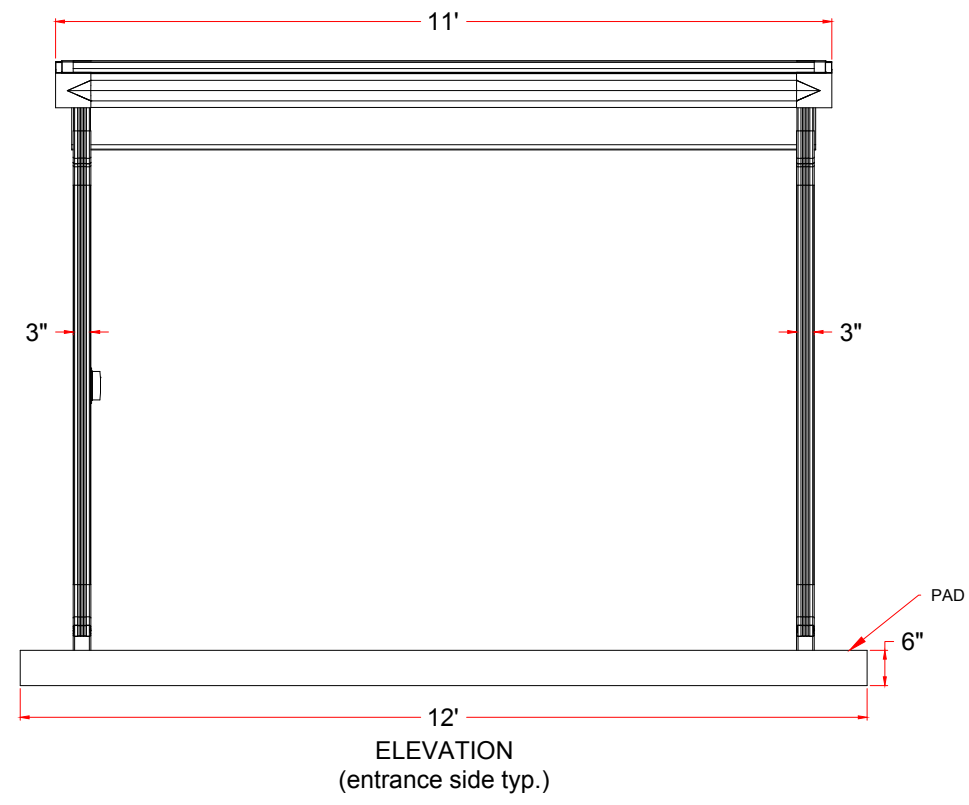


* DIMENSIONS MAY VARY IN ACTUAL INSTALLATION - FABRICATION CHANGES RESERVED *



AUTHORIZED SIGNATURE: _____

DATE: ___ / ___ / ___

FIRST DRAWN	BY
07/10/17	CJC
REVISED	BY

www.TURNSTILES.us
8641 South Warhawk Rd. Conifer, CO 80433
Patrick McAllister Tel: 303-670-1099

Equipment Location Detail	
FREESTANDING TURNSTILE CANOPY DETAILS & DIMENSIONS	
DWG	071017 CSP PLASTICS 8' X 11' CANOPY ELD
DATE	07 / 10 / 17
SCALE =	< >
SHEET - 1 OF 1	