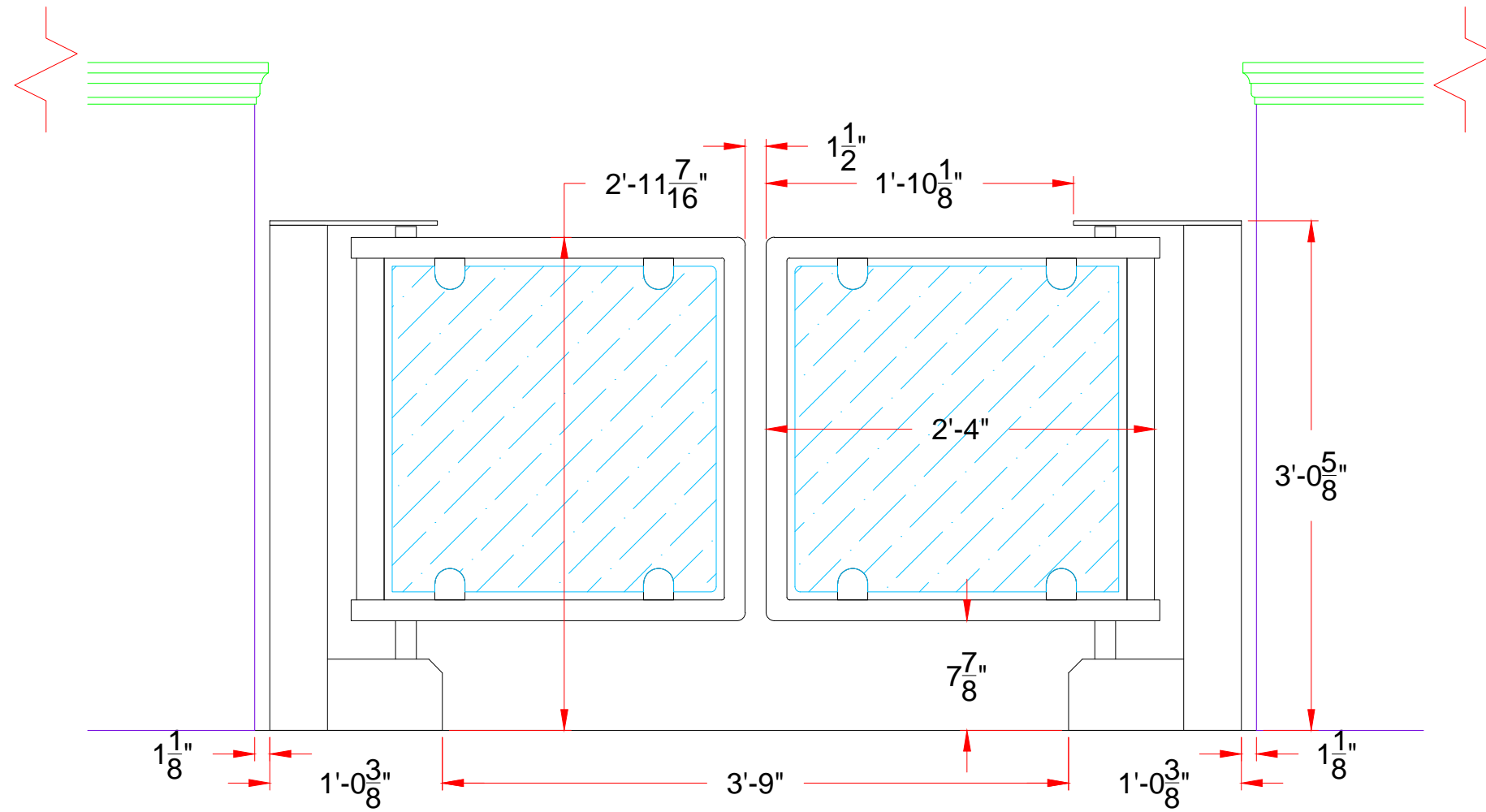
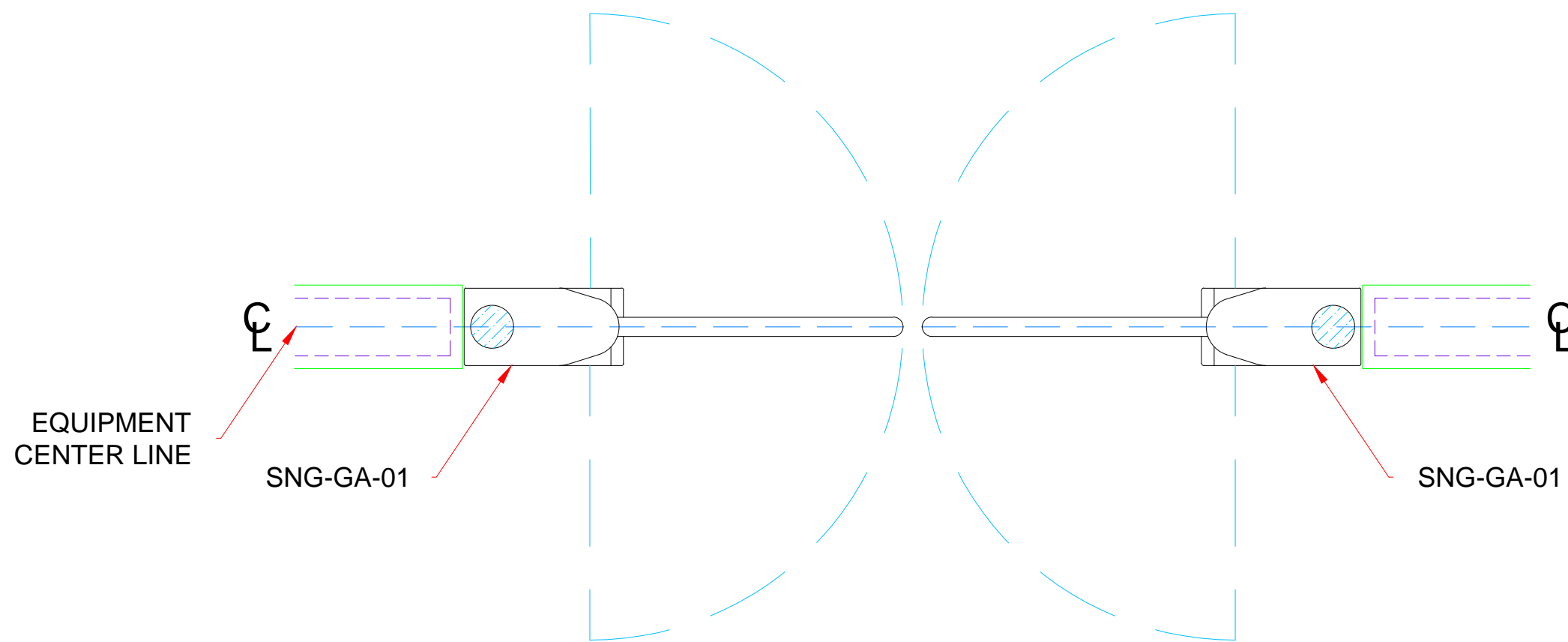


* DIMENSIONS MAY VARY IN ACTUAL INSTALLATION - FABRICATION CHANGES RESERVED *

DUAL GATE ENTRANCES x 2



ELEVATION
(right and left sides)



FLOOR PLAN
(right and left sides)

AUTHORIZED SIGNATURE: _____ DATE: ___ / ___ / ___

FIRST DRAWN	BY
07/12/17	CJC
REVISED	BY
07/19/17	CJC

www.TURNSTILES.us

8641 South Warhawk Rd. Conifer, CO 80433

Patrick McAllister Tel: 303-670-1099

Equipment Location Detail	
TurtleBoo Spring Valley, NY SNG-GA-01 2-Way Framed Glass Swing Gate	
DWG	071917 TurtleBoo ELD REV A
DATE	07 / 19 / 17
SCALE =	< >
SHEET - 1 OF 1	