

WWW.TURNSTILES.US

TTF 413
HIGH SECURITY MODEL



8641 S. Warhawk Rd. Conifer, CO 80433
Patrick.McAllister@TURNSTILES.us
(303) 670-1099 (303) 679-8949 fax



TTF 413 HIGH SECURITY MODEL

Full height turnstiles are used where an access attempt by using sheer force is expected to be a factor. What immediately full height turnstiles make it obvious is the fact that one cannot cross by jumping under or over it. In these types of turnstiles, strength rather than aesthetics has been stressed as a priority.

MAIN TYPES OF APPLICATION

PRISONS and CORRECTIONAL INSTITUTIONS

When full height turnstiles are installed at entry and exit points, no persons without the proper access authorization can enter or leave the site or the building. In this type of installation the carelessness or negligence of the staff responsible for the door security play no role since these turnstiles operate with card readers.

STADIUMS and SPORTS FACILITIES

These facilities require an expensive ticket for entry. That's why the TANSA full height turnstiles for these types of installations are designed and manufactured to make sure that they cannot be pushed or broken open by muscle power. These units convey the message that it's not worth taking any risks for any unauthorized access since it's not physically possible.

SHOPPING MALLS and MULTI-STOREY OFFICE BUILDINGS

In the garage entrances usually full height turnstiles with 3-arms are used since they allow comfortable access. Its disadvantage, however, is the fact that it allows for passage of two persons at the same time. Yet, this is not a situation that requires people to pay or buy a ticket first. The main idea here is to make sure that the people who enter the shopping mall or the office building from the garage have access right for entry. The person with the proper access authorization will help his or her friend enter as well.

Full height turnstiles are used in every other similar situation where the only criterion for entry is the authorization for access. In addition, they are also used to weed out and control excessive crowds at a given area like a meeting hall or a metro station. For these types of turnstiles there is no need for a card reader. But since only one person at a time is allowed for entry, pileups are prevented. With these types of systems, one can control the number of passengers entering a station by locking the turnstile through remote control.

The day, hour, and minute the access was provided and the identity of the provided are all recorded electronically by the computer. In addition, the TANSA full height turnstiles are constructed so tough that they cannot be pushed or pried open by sheer human strength.



FULL HEIGHT TURNSTILES

FEATURES AND BENEFITS

INTEGRATED ACCESS CONTROL BOARD

Maintains all access operations and integrates the turnstile controls with a wide variety of card readers and other auxiliary systems for reliable access control.

SELF-CENTERING MECHANISM

For longer service life and higher user satisfaction, it centers the rotor smoothly without any stagger through built-in hydraulic shock absorber mechanism

WELDED MONOBLOCK CONSTRUCTION

Long service life with minimum wear and tear thanks to welded monoblock construction that replaces bolts-and-nuts

OVERRIDE CAPABILITY

Configurable turn direction overrides the current rotation setting for versatile user-defined access control

HORIZONTALLY REMOVABLE TOP COVER

Horizontally removable stainless steel top mechanism cover, providing easy service with minimum overhead clearance

NARROW TURNSTILE CLEARANCE

Four-armed turnstile design provides minimal room for each user, making piggybacking almost impossible for reliable access control.

COMPLEMENTARY MIX

You can mix and match your full height turnstiles with other turnstile models, like pedestrian security gates for example to allow cargo access.

RESOURCES

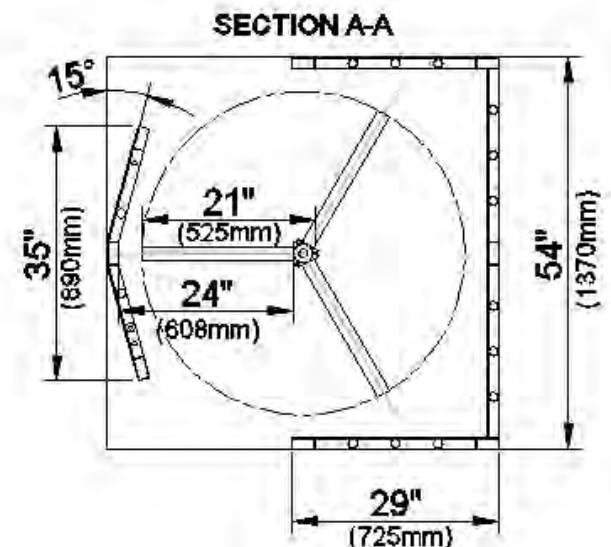
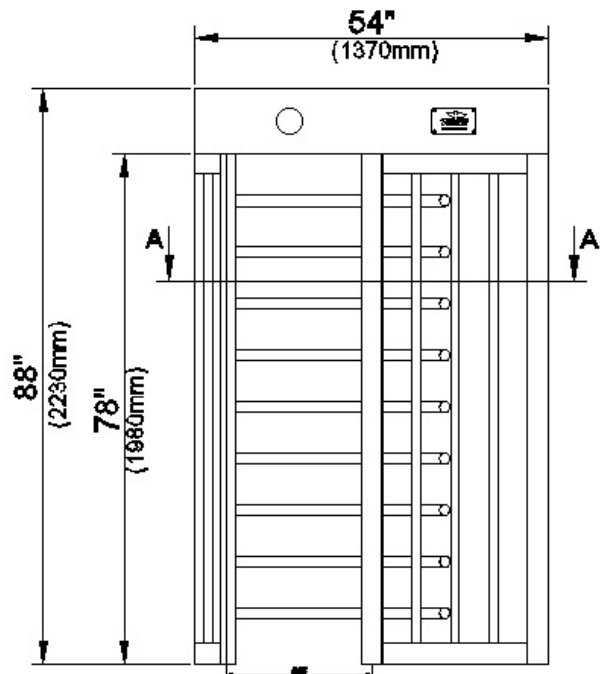
A full height turnstile is a specialized solution. That's why TANSA maintains a team of knowledgeable customer service staff ready to answer all your questions. To make sure that your full height selection fits your installation perfectly and solves your specific access problem, we provide the right consultation and technical specs for your unqualified success. Please check our web site for additional help and resources.



OPTIONS

We provide a wide range of models which are available with different finishes and options to serve your needs. Please consult our web site for the available options.

TTF-HT	Ceramic heater, external, adjustable (option)
TTF-CT	Electronic counter (option)
TTF-BG	Bulletproof glass -polycarbonate-(upgrade) (for model 513/514)
TTF-NO	Manual controlled: No motor/wiring (deduction)



FULL HEIGHT TURNSTILES / MODELS

TTF-413-SEP	High Security model	The Arm 120 degrees opening, Single lane	Powder coated rotor, arms and body
TTF-413-SER			SS rotor and arms with powder coated body
TTF-413-SES			Stainless steel rotor, arms and body
TTF-413-SEG			Galvanized rotor, arms and body
TTF-413-SEK			SS rotor and arms with galvanized body
TTF-413-DEP	High Security model	The Arm 120 degrees opening, Double lane	Powder coated rotor, arms and body
TTF-413-DER			SS rotor and arms with powder coated body
TTF-413-DES			Stainless steel rotor, arms and body
TTF-413-DEG			Galvanized rotor, arms and body
TTF-413-DEK			SS rotor and arms with galvanized body

TECHNICAL SPECIFICATIONS

OPERATION	Configurable in both directions, providing both entry and exit with manual push.
BODY	AISI 304 certified stainless steel (EN 10082-2 Grade 1G/2G).
HEAD and ARMS	304 grade stainless steel. Option of painted sheet metal rotor.
FEATURES	<ul style="list-style-type: none"> • Bi-directional access information monitored by electronic microprocessor. • Adjustable opening and closing intervals, configured via electronic card.
MECHANISM	Monoblock construction mechanism with control cams that are treated with AISI 304 grade stainless steel.
POWER SUPPLY	110 Vac 60 Hz Switch mode supply. Max 50 Watts operational power. Max 24 Vdc internal voltage.
ENVIRONMENTAL SPECS	-4 / +122 F° / (-20 / +50 C°) temperature range. Can operate even in -40 F° (-40 C°) with thermostat-equipped optional external heater. Rated for Max 95% humidity.
EMERGENCY MODE	In power failures or when an emergency signal is issued, the rotor and the turnstile arms turn freely without any resistance to allow free access.

GENERAL FEATURES

- The turnstile is designed to operate reliably in internal and external applications. However, for very dusty or humid environments, it can be delivered with appropriate optional features if the respective specifications are provided at the time of order.
- The turnstile allows uni- or bi-directional access, either controlled or free. Even when the access is controlled by a card reader, free entry and exit can be configured during specified time periods.
- This model allow free exit out of the site or the building in case of a power failure, a feature mandated by law. If the customer wants the turnstiles remain locked during such an emergency, such functionality can be provided as an option, contingent upon the written request of the client. However, once set at the factory, the system then cannot be switched back to the emergency-exit state by the client and it remains locked during all subsequent power failures.
- The turn direction of the system (for entry and exit) are determined by internal sensors.
- The smooth centering of the turnstile arm after a pass-through is accomplished by a spring mechanism and hydrolic shock absorbers.

WHY TANSA ?

7 simple and obvious reasons why TANSA should be your access control provider of choice:

1) HISTORY&EXPERIENCE:

TANSA has been manufacturing and servicing access control systems and turnstiles in Istanbul, Turkey since 1962 – or half a century! It's not a new-kid-on-the-block. It's got the long track record and extensive experience that you should insist in your access control provider.

2) WIDE SELECTION OF PRODUCTS:

TANSA offers a wide variety of turnstiles including optical, tripod, glass, full height, swing gate turnstiles, and other solutions for special applications. For every secured entry control need, there's a TANSA solution that fits the bill perfectly.

3) SPECIAL APPLICATIONS:

TANSA offers special applications for your special needs. There is no need to compromise your security by opting for one-size-fits-all generic solutions.

4) INDUSTRY SPECIFIC SOLUTIONS:

TANSA designs and manufactures specific security solutions for a long list of industries, including: Access control companies, Administrative buildings, Airports, Banks and financial companies, Education & Schools, Exhibition and Convention Centers, Gaming & Casinos, Government buildings, High security sites (Prisons, military sites, etc.), Hospitals & Healthcare clinics, Manufacturing Plants, Jewelers, Membership-Only Country Clubs, Multi-tenant buildings, Museums, Office buildings, Parking Lots, Ports, Public Event Arenas, Public transportation, Restaurants and Hotels, Retail stores and supermarkets, Shopping Centers, Sports & entertainment centers, Swimming Pools and Water Parks.

5) ANTI-PASSBACK & PIGGYBACK CONTROL:

TANSA turnstiles provide anti-passback and piggyback controls to prevent unauthorized passes in any given direction. With TANSA, you get time-tested and market-proven peace of mind.

6) ACCESSORIES & FUNCTIONALITIES:

TANSA turnstiles are available with many such accessories like directional lighting, speakers, spot lights, uni- and bi-directional swing and access control, mechanic or motorized operation options, and much more. TANSA offers a wealth of accessory options to fit your needs exactly.

7) CERTIFIED QUALITY:

TANSA enjoys quality certifications such as the ISO 9001. It exports access solutions to over 40 countries. TANSA products use AISI 304 rated quality stainless steel (EN 10082-2Grade 1G/2G). With TANSA, you always get your money's worth and then some.



8641 S. Warhawk Rd. Conifer, CO 80433
Patrick.McAllister@TURNSTILES.us
(303) 670-1099 (303) 679-8949 fax

