

WWW.TURNSTILES.us

LogicTurn 323

Tripod Turnstiles



LogicTurn 323 will permit one or two way operations. Its electromechanical motor gives access to one or both sides free or locked in opposite ways and or controlled in both ways. Any combination of fail-lock or fail-safe is available.

Model 323 is manufactured in stainless steel for internal or external usage. Built-in electronics allows integration with sophisticated access control systems.

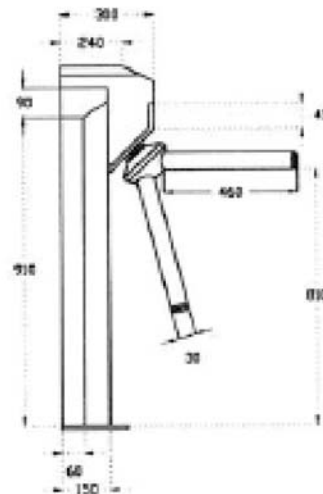
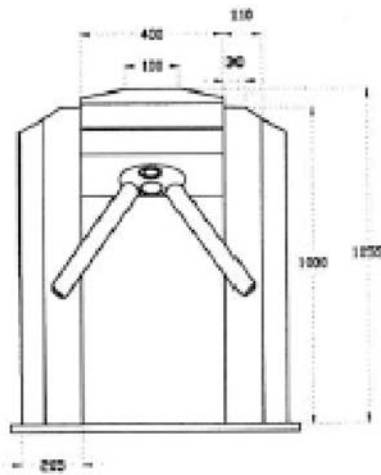
Drop-arm option is available for emergency situations.



8641 S. Warhawk Rd. Conifer, CO 80433
Patrick.McAllister@TURNSTILES.us
(303) 670-1099 (303) 679-8949 fax

Specifications:

- Operation of the turnstile is solved with self centering, heavy duty mechanism.
- All turnstiles are designed with one or two way operation
- Any combination of fail-lock or fail-safe is available
- All turnstiles are made for internal or external usage
- Rotation or home positioning is detected by switches
- All electrical voltage going through turnstile are lower than 24VDC for safety reasons.
- Electronic integrator control board
Optional Hydraulics providing smoother operation.
- Drop Arm (Optional)
- Indicator lights (Optional)
- Special sized manufacturing (Optional)



8641 S. Warhawk Rd. Conifer, CO 80433
Patrick.McAllister@TURNSTILES.us
(303) 670-1099 (303) 679-8949 fax



DIN EN ISO 9001:2000 Certified

TURNSTILES reserves the rights to modify specifications, designs and details without any prior notice