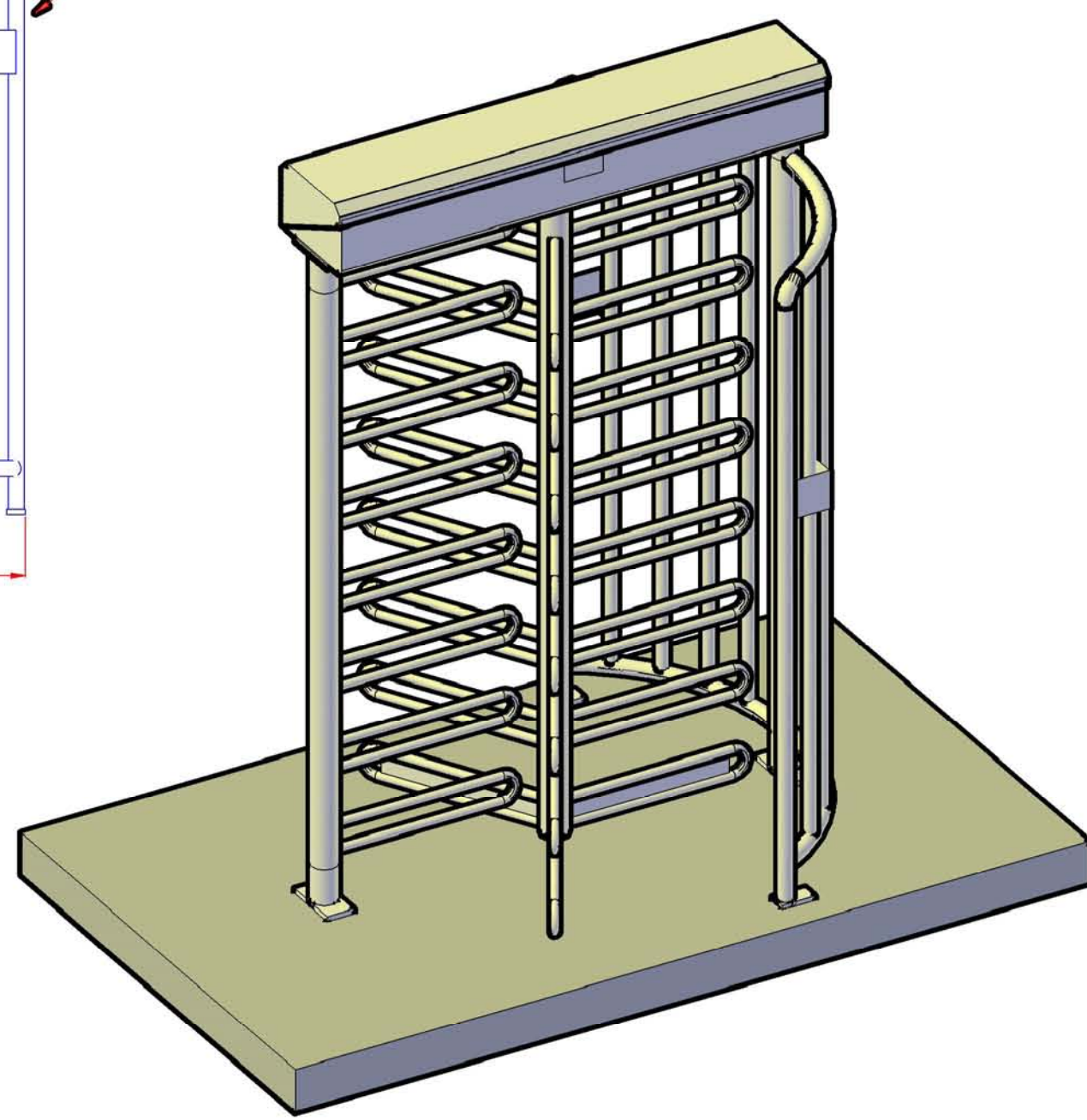
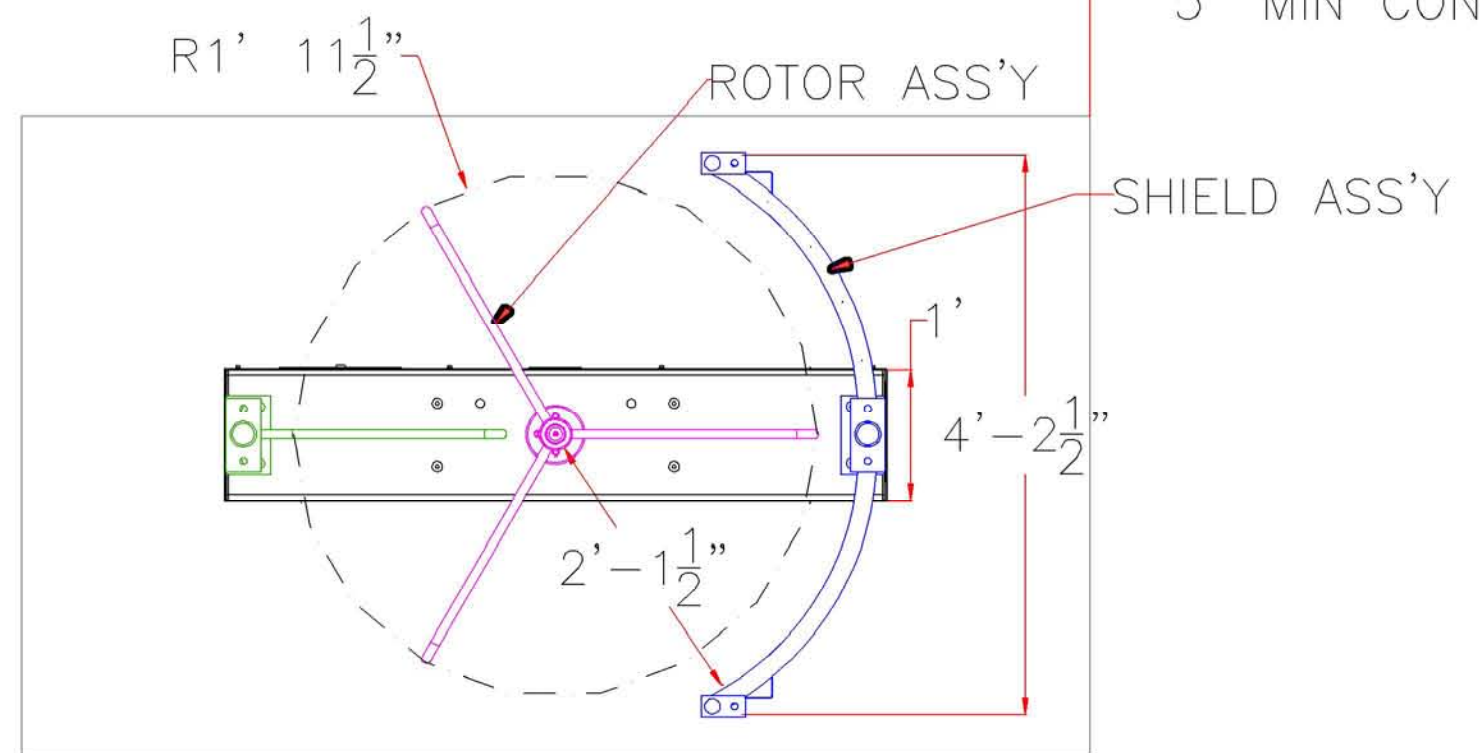
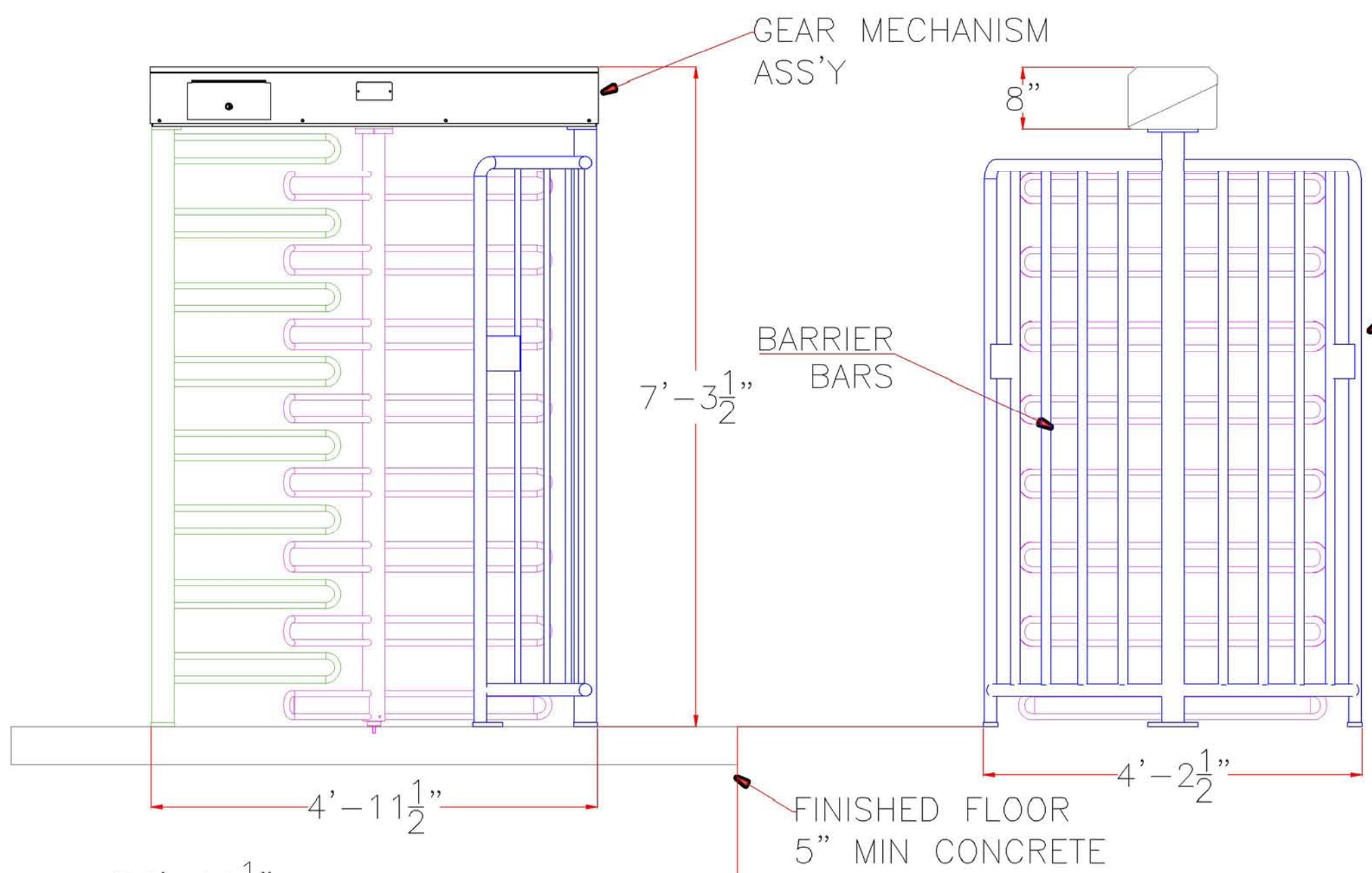


REVISIONS				
ZONE	REV	DESCRIPTION	DATE	APPROVED
VA	A	ISSUED FOR APPROVAL	09-08-08	APPROVED
VA	A	ISSUED FOR CONSTRUCTION	-----	



www.TURNSTILES.us		<b>MPT33C-SERIES</b>	
8641 South Warhawk Rd. Conifer, Colorado 80433 Tel: 303-870-1099 ext 11		<b>SINGLE TURNSTILE DIMENSIONS</b>	
Patrick McAllister			
SIZE <b>D</b>	DRAWING NO. <b>SINGLE FULL-HEIGHT TURNSTILE</b>	REV A	SHEET 1 OF 1